



Simply Engineered Better

# 501HT

Undercounter High Temperature Dishwashing Machine with Built-in Booster Heater



\*Shown with standard top and side panels

## SPECIFIER STATEMENT

Specified unit will be Moyer Diebel Model 501HT undercounter high temperature dishwasher or equivalent, complete with 1 Hp pump motor, soft start feature, sealed feather touch top mounted controls, 2 kW tank heater, infinite vari-cycle button, all stainless steel frame, fill and drain type operation. Machine to have a minimum of 15 3/4" [400mm] opening to accommodate trays and must be equipped with rinse sentry feature to ensure 180°F final rinse temperature.

1 year parts and labour warranty.



MD008 Printed in U.S.A.

Project \_\_\_\_\_  
 Item No. \_\_\_\_\_  
 Quantity \_\_\_\_\_

501HT UNDERCOUNTER

## STANDARD FEATURES

- **Ideal for heavy food soil loads**
- Moyer Diebel's exclusive fill and drain operating principle means "fresh water wash" – **rinse water** is always used as next cycle's **wash water**.
- "Vari-cycle" button. Allows unlimited number of user selectable wash cycle times
- 316 stainless steel tank bottom for improved corrosion resistance, an industry exclusive!
- New **Hydro Flow** booster provides improved performance and consistent rinse temperatures
- Delime cycle with automatic delime notification
- Auto-clean cycle
- Standard insulated booster and top and side panels for better heat retention
- Soft start provides gradual and quiet pump activation and helps prevent dish and glass breakage
- **50 Amp breaker** only for **70° rise in 208/60/1**
- 40 amp breaker only for 40° rise in 208/60/1
- Large 15-3/4" (400mm) door opening accommodates trays
- Solid state temperature controls and displays for greater accuracy and reliability
- Optional three phase model
- 2 kW tank heater maintains optimum wash water temperature
- Flexible fill and drain lines, flow regulator/line strainer and standard pumped drain for total ease of installation
- Service diagnostics for greater ease of troubleshooting

## OPTIONS & ACCESSORIES

- |   |             |
|---|-------------|
| <input type="checkbox"/> 17RS - 17" [432mm] rack storage stand                | P/N 0708757 |
| <input type="checkbox"/> 6T - 6" stand  | P/N 0712393 |
| <input type="checkbox"/> 70°F/39°C rise booster for 110°F/43°C incoming water | Available   |
| <input type="checkbox"/> Three phase  | Available   |

**Moyer Diebel Ltd. – Canada**

2674 North Service Rd., Jordan Station, Ontario, Canada L0R 1S0 Tel: 800/263-5798 Fax: 905/562-5422  
 sales@moyerdiebellimited.com



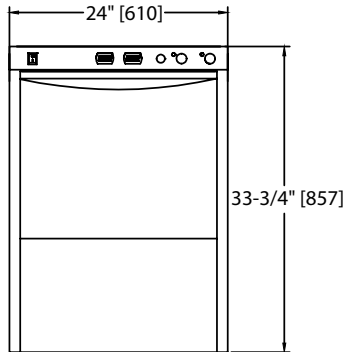


Simply Engineered Better

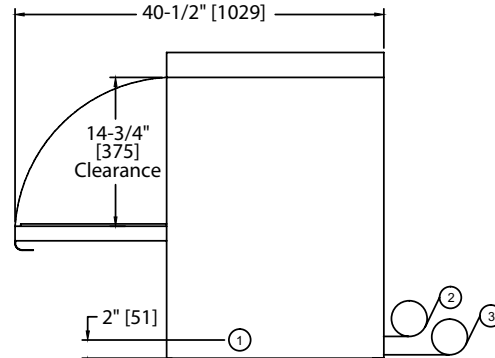
# 501HT

Undercounter  
High Temperature Dishwashing Machine  
with Built-in Booster Heater

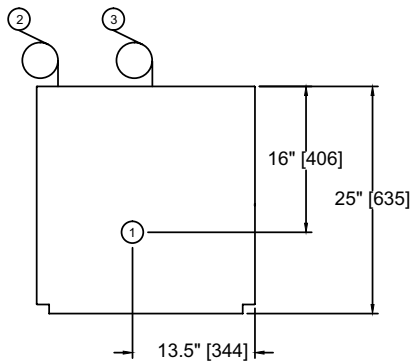
Dimensions shown in inches and [millimeters]



Front View



Side View



Plan View

## Utilities

- Electrical Connection**  
115/208-240/60/1; 3 wire plus ground. Hard wiring required (see box)  
115/208-240/60/3; 4 wire plus ground.
- Water Connection**  
140°F/60°C Min., hot water for 40°F/22°C rise booster.  
110°F/43°C Min., hot water for 70°F/39°C rise booster.  
5 ft. long 1/2" I.D. flexible fill hose with 3/4" garden hose connection provided.  
Flow pressure: 25-95 psi (173-656 kPa)
- Drain Connection**  
5 ft. long, 5/8" I.D. flexible drain hose provided. For Y connection into 1-1/2" drain.  
Max. drain flow: 7 gpm.; 32 imp, maximum 3' height above floor

## SPECIFICATIONS

### Capacity

\*Racks per hr. 25

### Motor Horsepower

Wash 1

### Water Consumption

Imp. gal./liters per hr. (max. use) 31.9/145

Imp. gal./liters per rack 1.5/6.8

### Temperatures °F/°C

Wash (minimum) 150/66

Rinse (minimum) 180/82

### Heating

Tank heat, electric (kW) 2

Electric booster

(kW required for 40°F/22°C rise) 6

(kW required for 70°F/39°C rise) 9

### Time Cycle in Seconds

Wash 90

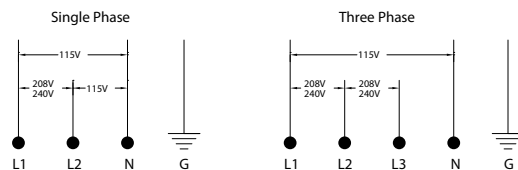
Rinse 26

Drain/fill 25

Total cycle 141

1 Phase 40°F/22°C Rise Booster	Rated Amps	Minimum Supply Ckt. Conductor Ampacity	Maximum Overcurrent Protective Device
115/208/60/1	32	40	40
115/240/60/1	36	40	40
1 Phase 70°F/39°C Rise Booster	Rated Amps	Minimum Supply Ckt. Conductor Ampacity	Maximum Overcurrent Protective Device
115/208/60/1	43	50	50
115/240/60/1	50	60	60

3 Phase 40°F/22°C Rise Booster	Rated Amps	Minimum Supply Ckt. Conductor Ampacity	Maximum Overcurrent Protective Device
115/208/60/3	22	30	30
115/240/60/3	24	30	30
3 Phase 70°F/39°C Rise Booster	Rated Amps	Minimum Supply Ckt. Conductor Ampacity	Maximum Overcurrent Protective Device
115/208/60/3	29	35	35
115/240/60/3	33	40	40



	Uncrated	Crated
Height*	33-3/4" [860]	39-1/2" [1003]
Width	24" [610]	25" [635]
Depth	24" [610]	25-1/2" [647]
Ship Wt. lbs/kg	178/79	198/90

\* Front leveling feet provided.

**Warning:** Plumbing and electrical connections should be made by qualified personnel who will observe all the applicable plumbing, sanitary and safety codes. Due to an ongoing value analysis program at Moyer Diebel, specifications in this catalog are subject to change without notice.

\* Excludes 30 second NSF load/unload time