



# Ultra-Max® Gas Hot Plate

Standard 802HA, 804HA, 806HA, 808HA



806HA

## FEATURES

- 30,000 BTU per burner using natural gas [26,000 BTU on LP]
- Heavy-duty cast iron burners with lift-off burner heads and anti-clog design
- Standing pilot for each burner
- Heavy-duty cast iron grates incorporate non-tilt design
- Durable metal knobs with quarter-turn operation and gas regulators
- Cool-to-the-touch front panel and bullnose and protect knobs and provide a comfortable work area

## OPTIONS & ACCESSORIES

- Extended plate shelf
- Universal stand

## DESCRIPTION

Ultra-Max® gas hot plates are designed to be a reliable, versatile, and maintenance-free solution for almost any menu item. These units come in a wide variety of sizes and styles to fit any operation and provide the versatile, long-lasting solution you need.

## SPECIFICATIONS

The Ultra-Max® gas hot plates will be constructed in the U.S.A. with a corrosion-resistant stainless steel body and aluminized steel crumb tray. The grates will be constructed of cast iron and will utilize a non-tilt design. Each square foot section will use an independently controlled 2-piece burner that produces 30,000 BTU per burner using natural gas [26,000 BTU on LP], and has a standing pilot. The units will have a 3/4-inch NPT male connection. The unit will be supplied with four [4] inch (102 mm) legs that are adjustable up 1.375 inches (35 mm).

## WARRANTY

These units come with a two [2] year warranty for parts and labor.

Star Manufacturing  
 265 Hobson St., Smithville, TN 37166  
 Phone: 800-264-7827  
 Web: star-mfg.com

## CERTIFICATIONS



Printed in the U.S.A. 2M-Z21305 REV C (11-21)

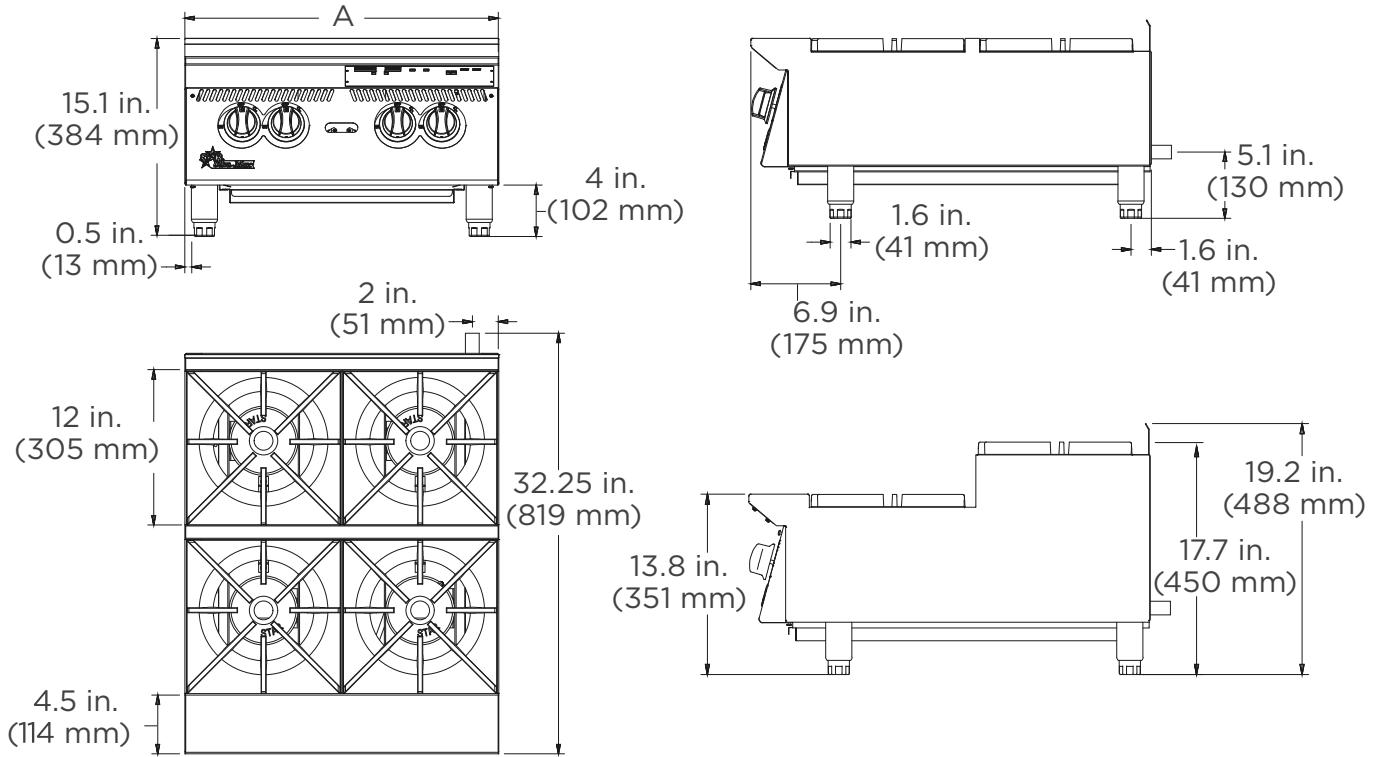
Specifications are subject to change without notice and are not intended for installation purposes.

Job Item No. \_\_\_\_\_



# Ultra-Max® Gas Hot Plate

Standard 802HA, 804HA, 806HA, 808HA



## CLEARANCES/INSTALLATION REQUIREMENTS

Please allow for at least nine [9] inches (229 mm) from the back and seven [7] inches (178 mm) from each side between the unit and any combustible surface.

	Model	Height	Width [A]	Depth	BTI1 Natural Gas (LP)	Approx. Ship Weight	Approx. Weight Installed
STANDARD	802HA	15.1 in. (384 mm)	12 in. (305 mm)	32.25 in. (819 mm)	60,000 (52,000)	108 lb. (49 kg)	70 lb. (32 kg)
	804HA	15.1 in. (384 mm)	24 in. (610 mm)	32.25 in. (819 mm)	120,000 (104,000)	194 lb. (88 kg)	140 lb. (63.5 kg)
	806HA	15.1 in. (384 mm)	36 in. (914 mm)	32.25 in. (819 mm)	180,000 (156,000)	270 lb. (122.5 kg)	210 lb. (95 kg)
	808HA	15.1 in. (384 mm)	48 in. (1.22 m)	32.25 in. (819 mm)	240,000 (208,000)	360 lb. (163 kg)	280 lb. (127 kg)

The gas fitting on each unit will be 3/4-inch NPT male.

Due to periodic changes in designs, methods, procedures, policies and regulations, the specifications contained in this sheet are subject to change without notice. While Star Manufacturing exercises good faith efforts to provide information that is accurate, we are not responsible for errors or omissions in information provided or conclusions reached as a result of using the specifications. By using the information provided, the user assumes all risks in connection with such use.

Star Manufacturing  
 265 Hobson St., Smithville, TN 37166  
 Phone: 800-264-7827  
 Web: star-mfg.com

Printed in the U.S.A. 2M-Z21305 REV C (11-21)  
 Specifications are subject to change without notice  
 and are not intended for installation purposes.



Job Item No. \_\_\_\_\_