

## Models

e4s



## Standard Features

- Rapid Cooking Technology® combines three heat technologies:
  - Convection
  - Microwave
  - Impingement
- Ventless operation
- Rapid cooking up to 15x faster than a conventional oven
- Stainless Steel construction
- easyTOUCH™, icon driven touch screen controls
- USB memory stick, data transfer of up to 1024 cooking programs
- In-built diagnostic testing
- Easy clean cavity design
- Cool to touch door exterior
- Quiet operation - Max noise level of less than 46dBA in idle mode
- Energy Consumption ~0.724kWh (Standby)
- Easy access front monitored air filter

## Accessories

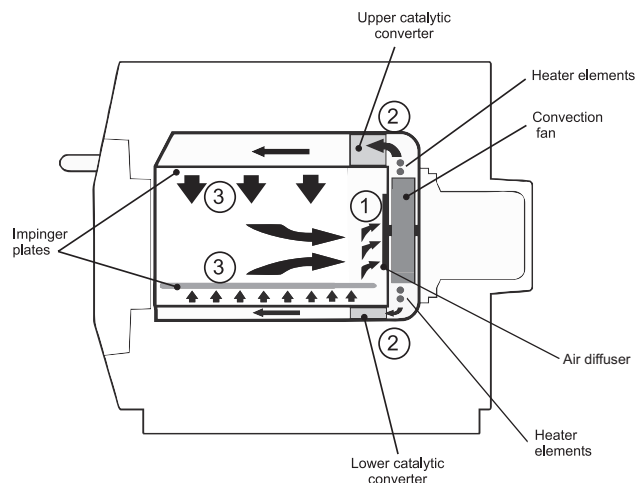
- Shelf Rack
- Cool Down Pan
- Bread Basket
- Pizza Paddle
- Merrychef Oven Cleaner
- Merrychef Oven Protector

## Specifications

- The unit includes in-built catalytic converters eliminating the need for a ventilation hood. Refer to UL Listing KNLZ.E330418 (America) Refer to UL Listing KNLZ7.E330418 (Canada)
- The e4s can produce lightning fast, crisp, hot food with consistent results everytime thanks to the easyTOUCH™ icon screen.
- Approved metal baking trays can be used in the oven.
- Oven controls allow multi-stage programming. Each program offers up to 6 stages each with its own time, microwave power, impingement settings and between stage instructions.
- The USB memory stick allows the user to upload and download up to 1024 new programs with custom pictures. A change of menu could be implemented simultaneously in remote sites using this feature.

### How it works:

The convection fan pulls air in through the Air Diffuser (1) This is then heated and returned to the cavity through the catalyst (2) and impinger plates (3) to produce an even heat pattern in the oven. This heat pattern allows food to cook evenly and produces a crisp golden finish, everytime.



**STANDARD ACCESSORIES** (Supplied with Oven)

- Shelf Rack
- Cool Down Pan
- Pizza Paddle
- Bread Basket x2

**CONSTRUCTION**

Stainless steel cavity and casework.

**CONTROL SYSTEM**

- Colour easyToUCH™ touchscreen, icon driven
- Storage for up to 1024 programs with 6 stages per cooking program providing a user instruction for each stage
- USB memory stick data transfer

**MICROWAVE POWER**

- Two magnetrons
- Distribution system, rotating active antennae
- Microwave settings, off or 5-100% in 1% increments
- Safety system: agency approved to ensure safe operation including current monitoring and overheat detection for magnetrons

**CONVECTED HEAT**

- Temperature settings off and from 100°C to 275°C in 1° C steps
- Distribution system, recirculating airflow impingement
- Convection fan setting, 10-100% in 1% increments
- Safety system: oven cavity overheat protection

**DIMENSIONS**

MODEL NO.	OVERALL SIZE MM			NET WEIGHT
	HEIGHT	WIDTH	DEPTH	
e4s	591mm (23.3")	584mm (23.0")	643mm (25.3")	82.5kg (182lbs)

**POWER REQUIREMENTS & OUTPUT**

MODEL	POWER INPUT	CONVECTED HEAT	POWER OUTPUT (IEC 705) @100%	
			MICROWAVE 100%	COMBINATION MODE
e4s	6.2kW	3200W	1800W	1800W+3200W

ELECTRICAL SUPPLY				
COUNTRY	VOLTAGE	ARRANGEMENT	CONNECTIONS USED	CURRENT /PHASE*
UK/EU	230V 50Hz	Single Phase	1P N & E	32 Amp
UK/EU	400V 50Hz	Dual Phase	2P N & E	32 Amp
USA	208V / 240V 60Hz	Two Pole	2P-GND	30 Amp

**Approval Coverage**



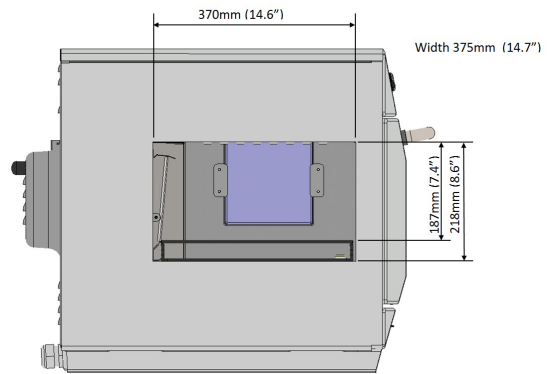
\*This is not consumption

For further information on Merrychef products and services or advice on which machine suits you best please contact the Sales Office.

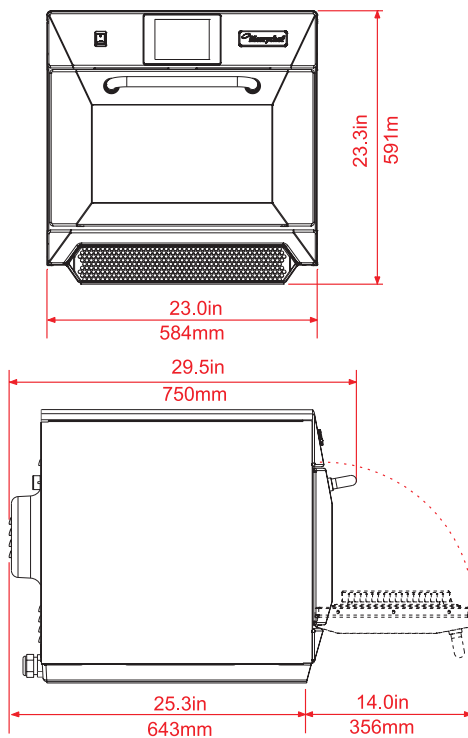
Tel: +44 (0)1483 464901

We reserve the right to change specifications appearing in this bulletin without incurring any obligation for equipment previously or subsequently sold.

Oven Cavity Dimensions



Oven Dimensions



**INSTALLATION INFORMATION**

Away from major heat source.

Place on a flat surface suitable for weight.

Allow a minimum of 50mm clearance to sides, top and rear to allow air to circulate freely.

Allow sufficient clearance to the front of the oven for the door to open fully.

