



Project _____

Item # _____

Quantity _____

Drop-In Round Uninsulated Heated Wells

Models:

HWB-4QT, -4QTD, -7QT, -7QTD, -11QT, -11QTD

HWBH-7QT, -7QTD, -11QT, -11QTD

Hatco Drop-In Round Heated Wells provide flexibility and quality, with many options to choose from. These units hold steam table food hot and fresh with self-adjusting thermostats that monitor the actual temperatures and control the heat only when needed.

Standard features

- Available in 4-, 7- and 11-quart (4-, 7- and 10-liter) round wells
- Standard or high watt (4-quart [4-liter] standard watt only)
- Controls feature a separate lighted ON/OFF rocker switch and temperature dial, allowing preset temperatures to be maintained
- Available with a 50% larger drain (¾" NPT) with flat screen simplifies cleaning and holds pans level
- Easy service access to heating elements and thermostats
- EZ locking hardware for quick installation
- Wells are designed for both WET or DRY operation
- An optional WM Control Assembly is also available that will replace most existing controls on a customer's Drop-In Heated Well unit



Options (available at time of purchase only)

- Additional High Temp Power Supply Lead Wire available in one foot (305 mm) increments (Lead wire only – the lead wire extensions beyond the standard 3' conduit whip) **Models are shipped standard with 1' [305 mm] of lead wire extensions**
- Flexible Conduit between the control and the Round Heated Well
 - Standard Flexible Conduit, 36" (914 mm)
 - Flexible Conduit, 72" (1829 mm)
- HWB-4, -7, -11QT with Optional Cord (In lieu of conduit and lead wire, 120V only,)
- Thermostat with 6' (1829 mm) Capillary
- Control Box Assembly
 - Compact (Standard Control [Not for export voltages])
 - With Bezel Without Bezel
 - Front mounted Back mounted
 - Larger Recessed Thermostatic (Standard for export voltages)
 - WM Control (Not for export voltages)
 - ITC Electronic Control (Not for 4-Quart [4-liter] Round Wells)
- Control Box Bezel in *Designer Colors* (Nonstandard colors are non-returnable, Stainless Steel is standard)
 - Warm Red Black Gray Granite White Granite
 - Navy Blue Hunter Green Antique Copper

Accessories

- Mounting Kit for Combustible Countertops (All Models) – no conduit
- Round Food Pans
 - 4-Quart (4-Liter) 7-Quart (7-Liter) 11-Quart (10-Liter)
- Notched Lids
 - 4-Quart (4-Liter) 7-Quart (7-Liter) 11-Quart (10-Liter)
- Hinged Lids
 - 4-Quart (4-Liter) 7-Quart (7-Liter) 11-Quart (10-Liter)
- Units with Drains
 - ¾" NPT Ball ¾" Gate Valve
- Kit allows Mounting to Thick Countertops - 4 Brackets

IFS anti-microbial coatings use naturally-occurring, environmentally sustainable, silver ions to help inhibit the growth of microbes on the powder coated surface. See www.hatcocorp.com/antimicrobial-paint for more information.

For operation, location and safety information, please refer to the Installation and Operating Manual.



CE Not available for HWB-7, -11 QT with ITC Controls



HATCO CORPORATION | P.O. Box 340500 Milwaukee, WI 53234-0500 U.S.A. | (800) 558-0607 | (414) 671-6350

www.hatcocorp.com | support@hatcocorp.com | [Find a Hatco Rep](#) | [Image Library](#) | [Document Library](#) | [Chat](#)



Drop-In Round Uninsulated Heated Wells

Models: HWB-4QT, -4QTD, -7QT, 7-QTD, 11QT, -11QTD
HWBH-7QT, -7QTD, -11QT, -11QTD

Ordering Instructions

(Please specify the following with each order)

1. **Desired Voltage:** See chart on page 3 or 4

2. **Base Size of Heated Well:**

A. Round: 4-Quart (4-Liter), 7-Quart (7-Liter) or 11-Quart (10-Liter)

3. **Choose With or Without Drain**

4. **Mounting Style** (Top Mounted)

A. Non-Combustible Countertop

B. Combustible Countertop requires accessory Mounting Kit

5. **Wattage:**

A. High Watt

B. Standard Watt (4-Quart [4-Liter] available in standard watt only)

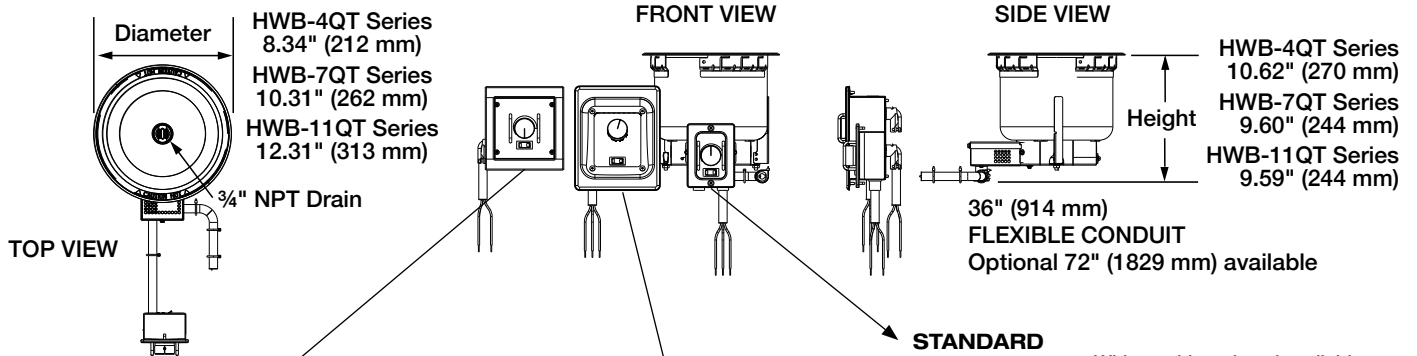
6. **Agency:**

A. UL and CUL

B. UL-EPH (sanitary listing)

C. CE Mark available on standard and high watt units

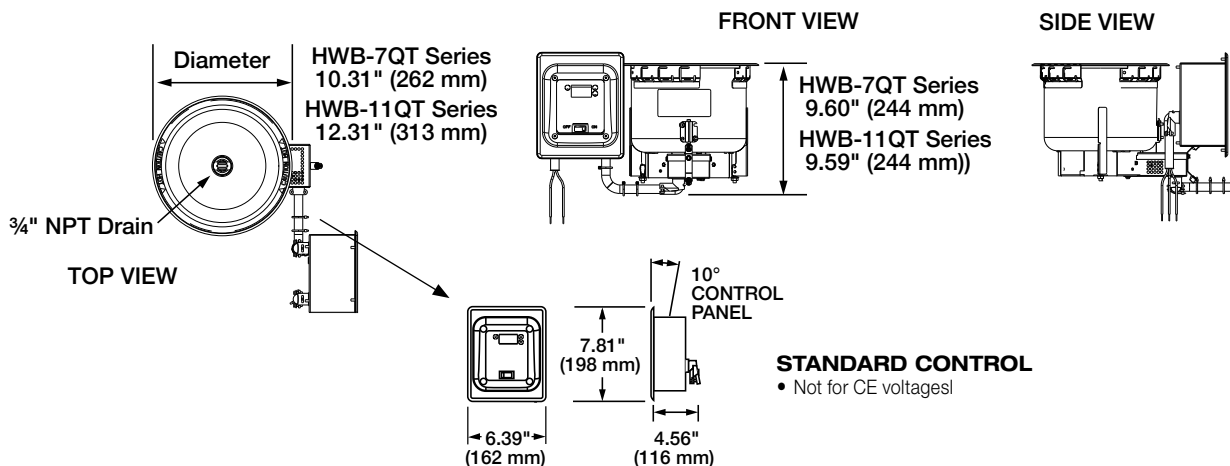
HWB-4QT, -7QT, -11QT Series (HWB-7QT shown) Uninsulated, with Standard and Optional Controls



OPTIONAL CONTROLS (Not for auto-fill)	<p>WM Assembly Replacement</p> <ul style="list-style-type: none"> Not for export voltages Bezel available in <i>Designer</i> Colors or Stainless Steel 	<p>Larger Recessed Thermostatic Control</p> <ul style="list-style-type: none"> STANDARD FOR EXPORT VOLTAGES Bezel available in <i>Designer</i> Colors or Stainless Steel
	<p>STANDARD CONTROL</p> <ul style="list-style-type: none"> Not for export voltages Bezel available in <i>Designer</i> Colors and Stainless Steel 	

HWB-7QT, -11QT Series

(HWB-7QT shown) Uninsulated, with ITC Controls

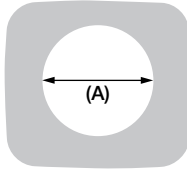




Drop-In Round Uninsulated Heated Wells

Models: HWB-4QT, -4QTD, -7QT, 7-QTD, 11QT, -11QTD
HWBH-7QT, -7QTD, -11QT, -11QTD

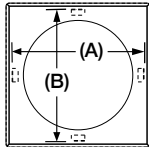
Non-Combustible
Countertop
Opening
("Circular" cut-out)



Cutout Dimensions for Non-Combustible Countertop

Model	Minimum Diameter (A)	Maximum Diameter (A)
HWB-4QT	Ø 7.125" (181 mm)	Ø 7.56" (192 mm)
HWB-7QT	Ø 9.125" (232 mm)	Ø 9.56" (242 mm)
HWB-11QT	Ø 11.125" (283 mm)	Ø 11.56" (293 mm)

Combustible
Countertop
Opening
("Square" cut-out)



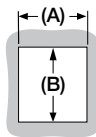
Cutout Dimensions for Combustible Countertops ▲

Model	Minimum Width (A)	Maximum Width (A)	Minimum Depth (B)	Maximum Depth (B)
HWB-4QT	9" (229 mm)	9.25" (235 mm)	9" (229 mm)	9.25" (235 mm)
HWB-7QT	11" (279 mm)	11.25" (286 mm)	11" (279 mm)	11.25" (286 mm)
HWB-11QT	13" (330 mm)	13.25" (337 mm)	13" (330 mm)	13.25" (337 mm)

▲ Accessory Mounting Kit required

Control Boxes

Control Box Opening
(Larger Recessed
Thermostatic shown)



Cutout Dimensions for Control Boxes

Control Box	Width (A)	Height (B)	Export Voltage
Standard Thermostatic without bezel	2.16" (55 mm)	3.375" (86 mm)	Not available
Standard Thermostatic with bezel	3.25" (83 mm)	3.75" (95 mm)	Not available
Optional Larger Recessed Thermostatic	5.875" (149 mm)	6.375" (162 mm)	Standard
Optional ITC Electronic (not available for 4-QT [4-Liter])	5.81" (148 mm)	6.27" (159 mm)	Optional
Optional WM Assembly Replacement	4.78" (121 mm)	5.00" (127 mm)	Not available

SPECIFICATIONS Drop-In Round Uninsulated Wells

■ The shaded areas contain electrical information for International models only

	Model	Dimensions (Diameter x Height)	Volts	Phase	Watts	Amps	Optional Plug Hardwired Standard	Control Configuration*		Ship Weight*
								Standard	Optional	
Standard Watt	HWB-4QT HWB-4QTD*	8.34" x 10.62" (212 x 270 mm)	120	Single	500	4.2	NEMA 5-15P	Compact Thermostatic	WM or Larger Recessed Thermostatic Controls	11 lbs. (5 kg) 10 lbs. (5 kg)
			208		536	2.6	Not Available			
			240		600	2.5				
			220		600	Not Available	Larger Recessed Thermostatic	Not Available		
			220-230 (CE)						2.7	
			240						2.5	
	230-240 (CE)									
	HWB-7QT HWB-7QTD*	10.31" x 9.60" (262 x 244 mm)	120	Single	500	4.2	NEMA 5-15P	Compact Thermostatic	WM or Larger Recessed Thermostatic Controls	12 lbs. (6 kg) 12 lbs. (6 kg)
			208		536	2.6	Not Available			
			240		600	2.5				
			220		600	Not Available	Larger Recessed Thermostatic	Not Available		
			220-230 (CE)						2.7	
240			2.5							
230-240 (CE)										
With ITC Electronic Control	10.31" x 9.60" (262 x 244 mm)	120	Single	500	4.2	NEMA 5-15P	ITC Electronic Control	Not Available		
		208		536	2.6	Not Available				
		240		600	2.5					
		220		600	Not Available	Non CE only: ITC Electronic Control	Not Available			
		240						2.7		
		240						2.5		

*"D" added to model number indicates drain equipped. * Shipping weight includes packaging.

HATCO CORPORATION | P.O. Box 340500 Milwaukee, WI 53234-0500 U.S.A. | (800) 558-0607 | (414) 671-6350



www.hatcocorp.com | support@hatcocorp.com | [Find a Hatco Rep](#) | [Image Library](#) | [Document Library](#) | [Chat](#)



Drop-In Round Uninsulated Heated Wells

Models: HWB-4QT, -4QTD, -7QT, 7-QTD, 11QT, -11QTD
 HWBH-7QT, -7QTD, -11QT, -11QTD

SPECIFICATIONS

Drop-In Round Uninsulated Wells

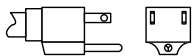
The shaded areas contain electrical information for International models only

	Model	Dimensions (Diameter x Height)	Volts	Phase	Watts	Amps	Optional Plug Hardwired Standard	Control Configuration*		Ship Weight*
								Standard	Optional	
Standard Watt	HWB-11QT HWB-11QTD*	12.31" x 9.59" (313 x 244 mm)	120	Single	500	4.2	NEMA 5-15P	Compact Thermostatic	WM or Larger Recessed Thermostatic Controls	13 lbs. (6 kg) 13 lbs. (6 kg)
			208		536	2.6	Not Available			
			240		600	2.5				
			220		600	2.7	Not Available	Larger Recessed Thermostatic	Not Available	
			220-230 (CE)							
			230							
	230-240 (CE)									
	With ITC Electronic Control	12.31" x 9.59" (313 x 244 mm)	120	Single	500	4.2	NEMA 5-15P	ITC Electronic Control	Not Available	
			208		536	2.6	Not Available			
			240		600	2.5				
			220		600	2.7	Not Available	Non CE only: ITC Electronic Control	Not Available	
			240							
240										
High Watt	HWBH-7QT HWBH-7QTD*	10.31" x 9.60" (262 x 244 mm)	120	Single	800	6.7	NEMA 5-15P	Compact Thermostatic	WM or Larger Recessed Thermostatic Controls	12 lbs. (6 kg) 12 lbs. (6 kg)
			208		715	3.4	Not Available			
			240		800	3.3				
			220		800	3.6	Not Available	Larger Recessed Thermostatic	Not Available	
			220-230 (CE)							
			240							
	230-240 (CE)									
	With ITC Electronic Control	10.31" x 9.60" (262 x 244 mm)	120	Single	800	6.7	NEMA 5-15P	ITC Electronic Control	Not Available	
			208		715	3.4	Not Available			
			240		800	3.3				
			220		800	3.6	Not Available	Non CE only: ITC Electronic Control	Not Available	
			240							
			240							
	HWBH-11QT HWBH-11QTD*	12.31" x 9.59" (313 x 244 mm)	120	Single	800	6.7	NEMA 5-15P	Compact Thermostatic	WM or Larger Recessed Thermostatic Controls	13 lbs. (6 kg) 13 lbs. (6 kg)
			208		715	3.4	Not Available			
			240		800	3.3				
			220		800	3.6	Not Available	Larger Recessed Thermostatic	Not Available	
			220-230 (CE)							
240										
230-240 (CE)										
With ITC Electronic Control		12.31" x 9.59" (313 x 244 mm)	120	Single	800	6.7	NEMA 5-15P	ITC Electronic Control	Not Available	
			208		715	3.4	Not Available			
			240		800	3.3				
			220		800	3.6	Not Available	Non CE only: ITC Electronic Control	Not Available	
			240							
	240									

*"D" added to model number indicates drain equipped. * Shipping weight includes packaging.

PLUG CONFIGURATIONS (Optional)

NEMA 5-15P



PRODUCT SPECS

Drop-In Round Heated Wells

The Drop-in Round Heated Well shall be a Model ...as manufactured by the Hatco Corporation, Milwaukee, WI 53234 U.S.A.

The Drop-in Heated Well shall be rated at ...watts, ...volts, and be ...inches (millimeters) in overall width and be ...inches (millimeters) in overall depth. It shall

consist of stainless and aluminized steel housing with a metal sheathed heating element, EZ locking hardware for installation, and a remote thermostat with lighted power switch. Models with a drain consist of a 3/4" NPT drain.

Accessories may include stainless steel mounting kit and valves.

Warranty consists of 24/7 parts and service assistance (U.S. and Canada only).

HATCO CORPORATION | P.O. Box 340500 Milwaukee, WI 53234-0500 U.S.A. | (800) 558-0607 | (414) 671-6350



www.hatcocorp.com | support@hatcocorp.com | [Find a Hatco Rep](#) | [Image Library](#) | [Document Library](#) | [Chat](#)