

TRI-LEG, ELECTRIC KETTLES

TILTING, "SPLASH PROOF SERIES", SELF-CONTAINED, 2/3 STEAM JACKETED, 25, 40, 60, 80 OR 100 GALLONS (100, 150, 225, 300 OR 375 LITERS)

Models

- KEL-25-T • KEL-60-T • KEL-100-T
- KEL-40-T • KEL-80-T



Shown with standard controls and optional - spring-assisted cover & 2" tangent draw-off valve



Shown with optional - easyDial controls, spring-assisted cover & heat deflection shield

Short Form Specifications

Shall be CLEVELAND, Electric Kettle, leg mounted, self-contained, tilting, Model KEL - _____ - T; _____ gallons, 2/3 Steam Jacketed. Type 316 Stainless Steel Kettle Interior. 50 psi Steam Jacket Rating, 50 psi Safety Valve, Permanently filled Steam Jacket, Combination Pressure/Vacuum Jacket Gauge. Splash Proof Solid State Temperature ($\pm 1^\circ$ C) and Safety Control System in plug-in Module including L.E.D. indicators.

Standard Features

- Self-contained, easily installed - needs only an electrical hook-up
- Steam jacket filled with treated water, venting and/or refilling is not required
- Accurate, consistent solid state temperature controls - less than $\pm 1^\circ$ C variance (ideal for simmering). Operating temperature range from 145° - 260°F (63°C - 127°C)
- **Standard Control Panel includes:**
 - LED indicator for heat cycle
 - LED indicator for low water
 - Power ON/OFF Dial with 1-10 Temperature Dial Setting
- **easyDial Control Panel (optional) includes:**
 - Adjustable Temperature Control (C&F)
 - 99 Minute Adjustable Timer Setting
 - 3 Cooking Models, Cook/Simmer, Cook/On, Cook Off
 - 6-Built In Self Diagnostics & Display Readout
 - Core Temperature Probe (Optional)
- 316 Stainless Steel Kettle Interior
- Water resistant controls, splash-proof construction
- Large pouring lip for high capacity and chunky products
- Re-inforced rolled rim design prevents damage to kettle rim, eliminates "bar rim designs"
- Welded-in heating elements, (holds vacuum better, won't leak or loose water)
- Easily cleaned: kettle and all exterior surfaces are of type 304 stainless steel with an #4 finish
- Rear mounted easy access pressure gauge and pressure relief valve to prevent tampering. Color coded easy to read pressure gauge with "green" and "vent air zone"
- 50 psi steam jacket rating for higher cooking temperatures
- Solid state water level control (no sight glass gauge to break or leak)
- Splash proof element cover with a double gasket seal
- Tilt mechanism of roller bearings and case hardened self-locking worm and segment gear
- 1 5/8" O.D. tri-leg supports with level adjustable feet for floor bolting
- Standard voltage is 208-240 volts, 60 Hz, 3-phase, 3-wire
- Typical approvals include UL., CSA, CE, NSF and ASME

Options & Accessories

- easyDial Control
- Core Temperature Probe Option
- Spring-assisted, hinged, rotatable, domed Stainless Steel Cover (CHS)
- 2" or 3" diameter Tangent Draw-Off Valve (TD2 or TD3*), *TD3 for 60 gallon only and will raise height of kettle by 5-5/8" (143mm)
- Hot and Cold Water Faucet with Swing Spout and Mounting Bracket (DPK and FBKT)
- Pan Carrier (PCK) • Flow Diverter (FD) • Food Strainers (FS)
- Cooking Baskets and Tri-Basket Supports (BS and TBS)
- Kettle Accessory Kit (KAK) includes:
 - Clean-up Brush (CB)
 - 36" Kettle Paddle (KP)
 - 36" Kettle Whip (KW)
 - 36" Kettle Brush
 - Draw-Off Brush (DB)
 - 24 oz. Ladle (KL)
- Drain Strainers (DS) • Measuring Strip (MS) • Gallon Markings (KM)
- Hot and cold or cold only Kettle Filler with 60" Hose (DKF-K or SKF-K)
- Swing Funnels for drain (SF)
- High Wattage (HW) & Special Voltages (see back page)
- Heat Deflector Shield (HS001)
- Correctional Packages

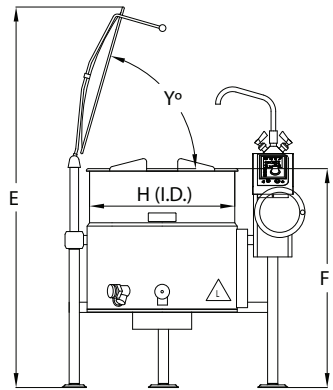
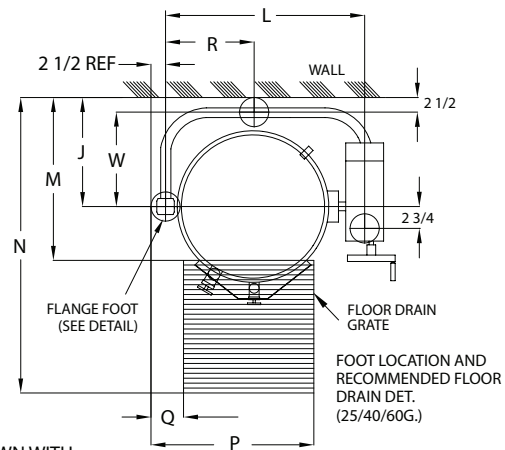
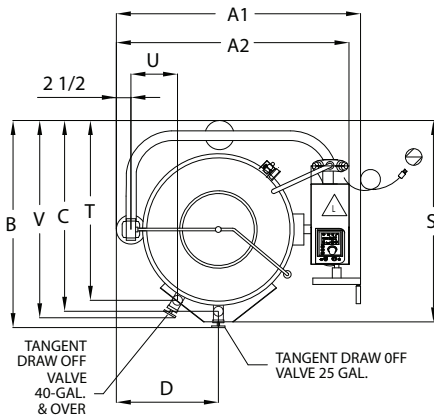
KE004046-61

MODEL	VALVE	A1	A2	B	C	D	E	F	G	H	J	K	L	M	N	P	Q	R	S	T	U	V	W	X	Y*	Z
KEL-25-T	NO TD	36.5	34.25	N/A	N/A	N/A	62.75	37.5	N/A	21	17	14.38	28.75	22.25	51.75	26.25	4.75	14.38	31	N/A	N/A	N/A	14.5	N/A	100	41.13
	TD-2			33.75	29.88	15.5			14.63												N/A	N/A	N/A			41.5
KEL-40-T	NO TD	41.5	39.38	N/A	N/A	N/A	68.5	39.5	N/A	26	20	16.94	33.75	26	56	30.38	3	16.83	37.75	34	5.5	37.13	17.5	N/A		42.5
	TD-2								16.13	29.5	21.5	18.68	37.25	29.75	62.5	33.5	4	18.56	41.13	37	7.75	38.38	19	N/A	70	46.88
KEL-60-T	NO TD	45	42.88	N/A	N/A	N/A	75.75	44.5	N/A	33	24.25	N/A	11.38	32.5	67.38	36.63	5	N/A	48	N/A	N/A	N/A				
	TD-2								17											44.63	8.63	40.25	21.5	40.75		52.13
KEL-80-T	NO TD	48.5	54.13	N/A	N/A	N/A	84	47.63	N/A	33	24.25	N/A	11.38	32.5	67.38	36.63	5	N/A	48	N/A	N/A	N/A				
	TD-2								16.25											45	8.38	42.75				52.13
KEL-100-T	NO TD	51	56.63	N/A	N/A	N/A	89.88	48.88	N/A	35.5	25.5	N/A	11 5/8	36	71.25	38.75	5.5	N/A	49.5	N/A	N/A	N/A				
	TD-2								15.5											47	9.25	40	22.88	43.25		53.38
	TD-3																			47.63	9	42.5				

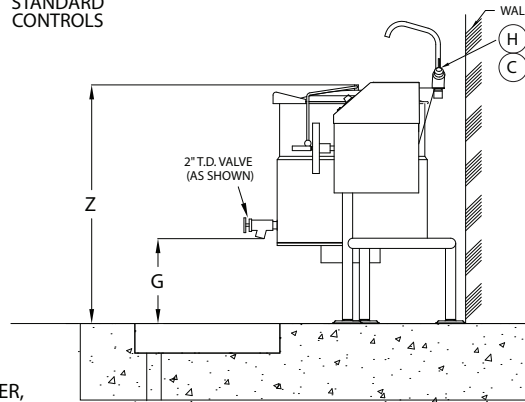
LEGEND: ALL DIMENSIONS SHOWN IN INCHES

TD-2 = 2" TANGENT DRAW-OFF VALVE
TD-3 = 3" TANGENT DRAW-OFF VALVE

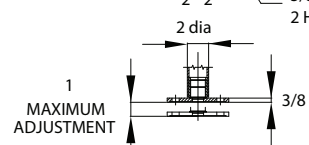
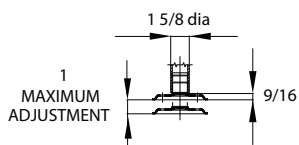
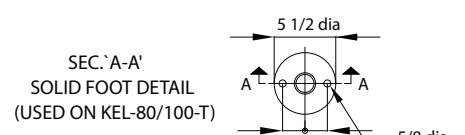
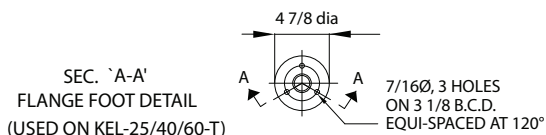
(H) HOT WATER: } PIPING: 1/2" NPT (DOUBLE)
(C) COLD WATER: } PIPING: 3/8" COPPER TUBE (SINGLE)
(When ordered with optional faucet)



SHOWN WITH STANDARD CONTROLS



DRAWING FOR 25, 40 AND 60 GALLON KETTLE
KETTLE SHOWN WITH OPTIONAL SPRING ASSIST COVER,
WATER FAUCET AND T.D. VALVE



NOTE:
ALL VERTICAL DIMENSIONS SHOWN
ARE MINIMUM. FEET ARE
ADJUSTABLE TO 1" MAXIMUM
WARNING:
TO PREVENT INJURY KETTLE
MUST BE BOLTED TO FLOOR.

NOTES:

Cleveland Range reserves right of design improvement or modification, as warranted.
Many regional, state and local codes exist and it is the responsibility of the owner and installer to comply with the codes.
Cleveland Range equipment is built to comply with applicable standards for manufacturers. Included among those approval agencies are U.L./NSF#4 and CSA (AGA, CGA).

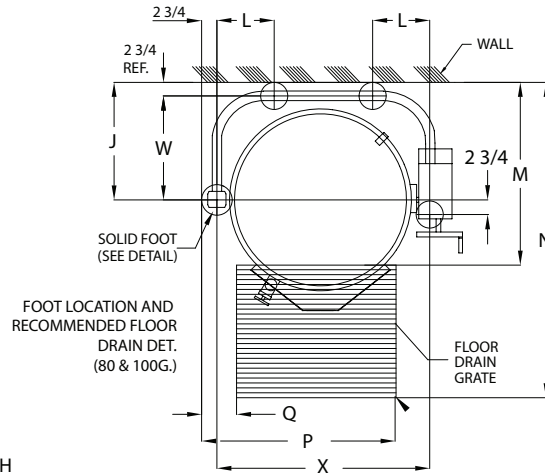
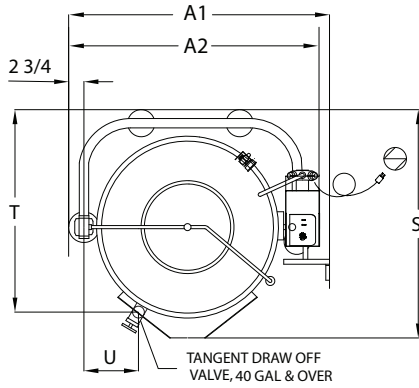
(NOT TO SCALE)

STANDARD WATTAGE

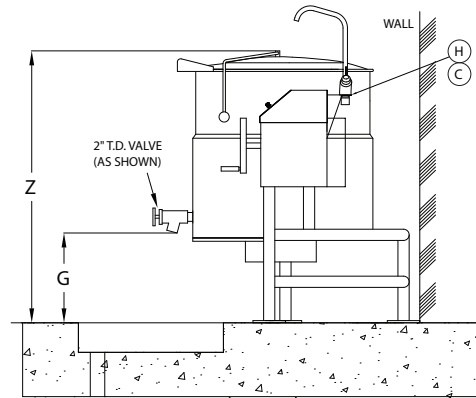
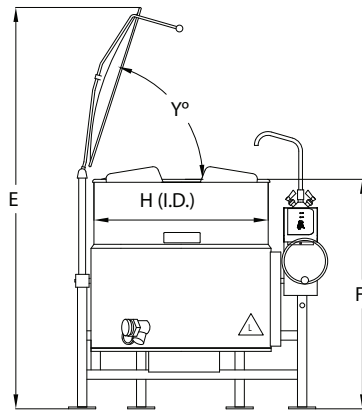
GALS. LITERS	208V			240V			415V			480V		
	KW	1PH	3PH	KW	1PH	3PH	KW	1PH	3PH	KW	1PH	3PH
25 100	9.8	47.2	27.2	13.1	54.4	31.4	12.1	29.0	16.7	13.1	27.2	15.7
40 150	14.7	70.8	40.9	19.6	81.7	47.1	18.1	43.5	25.1	19.6	40.8	23.6
60 225	14.7	70.8	40.9	19.6	81.7	47.1	18.1	43.5	25.1	19.6	40.8	23.6
80 300	14.7	70.8	40.9	19.6	81.7	47.1	18.1	43.5	25.1	19.6	40.8	23.6
80 375	14.7	70.8	40.9	19.6	81.7	47.1	18.1	43.5	25.1	19.6	40.8	23.6

HIGH WATTAGE

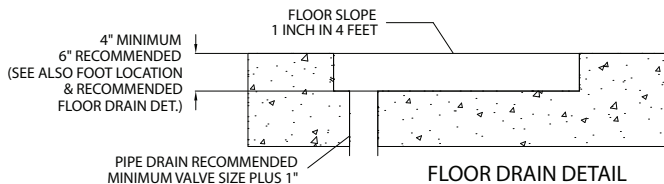
GALS. LITERS	208V			240V			415V			480V		
	KW	1PH	3PH	KW	1PH	3PH	KW	1PH	3PH	KW	1PH	3PH
25 100	14.7	70.8	40.9	19.6	81.7	47.1	18.1	43.5	25.1	19.6	40.8	23.6
40 150	24.5	NA	68.1	32.7	NA	78.6	30.1	72.5	41.8	32.7	68.1	39.3
60 225	29.4	NA	81.7	39.2	NA	94.3	36.2	87.0	50.2	39.2	81.7	47.1
80 300	29.4	NA	81.7	39.2	NA	94.3	36.2	87.0	50.2	39.2	81.7	47.1
100 375	29.4	NA	81.7	39.2	NA	94.3	36.2	87.0	50.2	39.2	81.7	47.1



SHOWN WITH OPTIONAL EASYDIAL CONTROLS

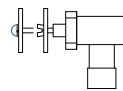


DRAWING FOR KETTLES 80 & 100 GALLON
KETTLE SHOWN WITH OPTIONAL SPRING ASSIST COVER, WATER FAUCET AND T.D. VALVE.



T.D. VALVE OPTIONS

FOR VALVES WITH ACME THREADS (TD-2A, TD-3A) AND NPT THREADS (TD-2N, TD-3N) REDUCE CLEARANCE BETWEEN VALVE OPENING AND FLOOR BY AMOUNT SHOWN.



VALVE	CLEARANCE REDUCTION
TD-2N	1 3/4
TD-3N	2 1/2
TD-2A	1/2
TD-3A	1 3/4

NOTES:

Cleveland Range reserves right of design improvement or modification, as warranted. Many regional, state and local codes exist and it is the responsibility of the owner and installer to comply with the codes. Cleveland Range equipment is built to comply with applicable standards for manufacturers. Included among those approval agencies are U.L./NSF#4 and CSA (AGA, CGA).

(NOT TO SCALE)

CAPACITIES: (in 8 oz. servings, other sizes may be calculated)

25 Gallon / 100 liters ... 400 servings
 40 Gallon / 150 liters ... 640 servings
 60 Gallon / 225 liters ... 960 servings
 80 Gallon / 300 liters ... 1280 servings
 100 Gallon / 375 liters ... 1600 servings

SHIPPING WEIGHTS & CLEARANCES:

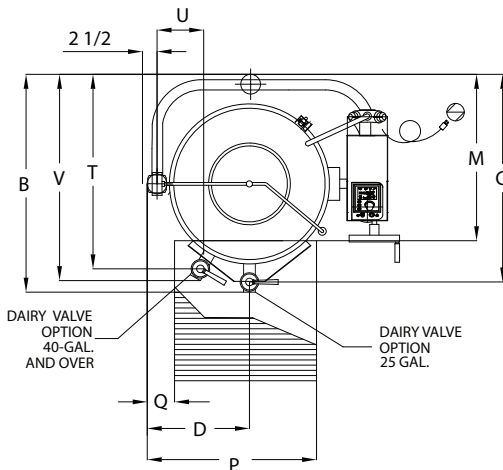
MODEL	SHIPPING WEIGHT (LBS)	CLEARANCE:
KEL-25-T	290	RIGHT: ALLOW 12" SPACE MINIMUM ON RIGHT SIDE
KEL-40-T	360	FOR SERVICE LEFT: 0 INCHES
KEL-60-T	415	REAR: 0 INCHES
KEL-80-T	470	
KEL-100-T	520	



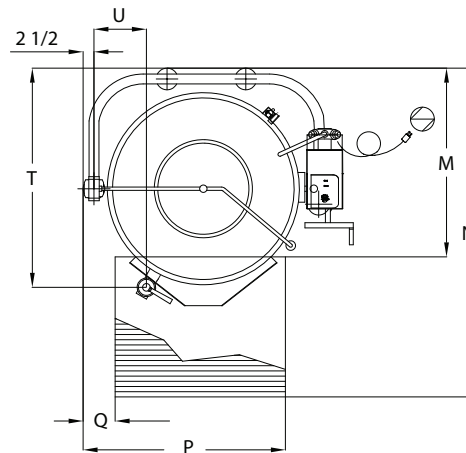
Standard Controls



EasyDial Controls



RECOMMENDED FLOOR DRAIN DETAIL FOR 25, 40 AND 60 GALLON KETTLES WITH DAIRY VALVE OPTION



RECOMMENDED FLOOR DRAIN DETAIL FOR 80 AND 100 GALLON KETTLES WITH DAIRY VALVE OPTION

NOTES:

Cleveland Range reserves right of design improvement or modification, as warranted.
 Many regional, state and local codes exist and it is the responsibility of the owner and installer to comply with the codes.
 Cleveland Range equipment is built to comply with applicable standards for manufacturers. Included among those approval agencies are U.L./NSF#4 and CSA (AGA, CGA).

(NOT TO SCALE)

Electric Kettles