



PANINI

CONCEPT

ELECTRIC PANINI PRESSES

A complete range of panini grills especially suited for creative food the easy way

- Fine grain cast iron grooved and smooth plates
- Stainless steel base for lasting service
- Adjustable spring counter balanced top
- Detachable front drip tray and scraper for convenient cleaning
- Even heat distribution through top and bottom plates
- Rapid grilling of sandwiches, meat, fish and vegetables
- Thermostatically controlled up to 570°F
- On/off switch and pilot lights for convenience and safety

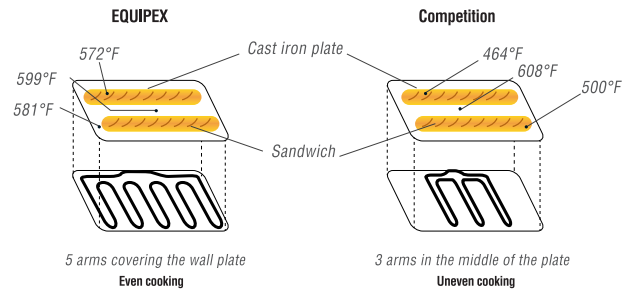
DIABLO



208/240 V

OPTIONS:

- * grooved top and bottom plates
- * smooth top and bottom plates
- * smooth right top and bottom/ grooved left top and bottom
- * smooth bottom/ grooved top.
- * optional timers (2 required)



MAJESTIC

208/240 V



OPTIONS:

- * grooved top and bottom plates
- * smooth top and bottom plates
- * all grooved top and all smooth bottom
- * optional timers (2 required)

PANINI

120 V

208/240 V



OPTIONS:

- * grooved top and bottom plates
- * smooth bottom/ grooved top plates
- * smooth top and bottom plates
- * optional timer

SAVOY

120 V



OPTIONS:

- * grooved top and bottom plates
- * smooth top and bottom plates
- * optional timer



100 NIANTIC AVENUE; SUITE 104 PROVIDENCE, RI 02907

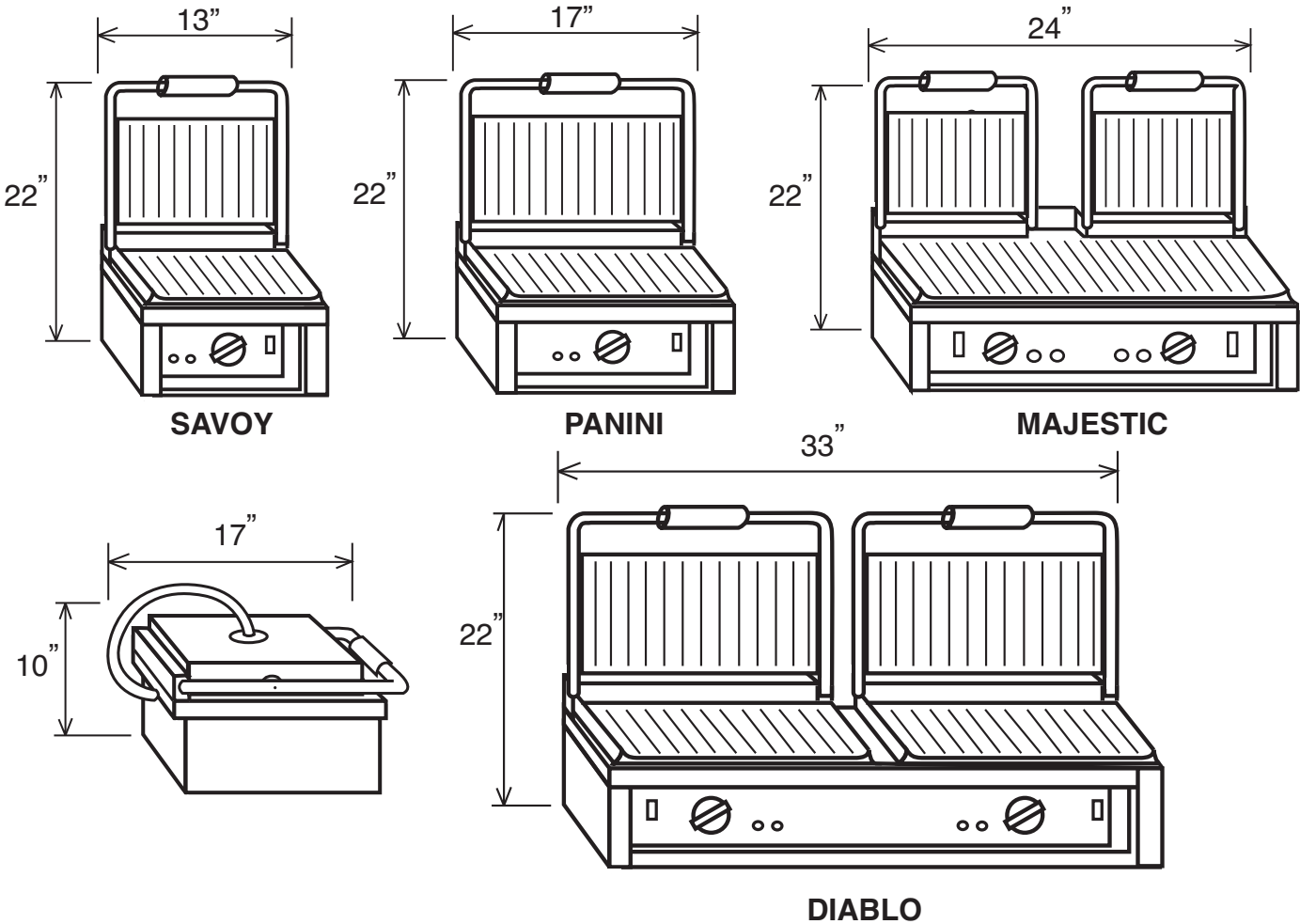
TEL: (401)273-3300 FAX: (401)273-3328 E-mail: sales@equipex.com

www.equipex.com





ELECTRIC PANINI PRESSES



SPECIFICATIONS

INSTALLATION CLEARANCE: 2" EACH SIDE

| MODEL | ELECTRICAL | DIMENSIONS | WORK SURFACE | SHIPPING WEIGHT | NEMA PLUG |
|----------|---|----------------|-------------------------|-----------------|------------------|
| DIABLO | 208/240V, 1PH 6.5KW, 24/27 Amps | 33"Wx17"Dx22"H | 14"Wx9 1/2"D two (2) | 155 lbs | 6-50 P |
| MAJESTIC | 208/240V, 1PH 4KW, 16/18 Amps | 24"Wx17"Dx22"H | 21"Wx9 1/2"D | 90 lbs | L6-30 P |
| PANINI | 120V, 1.75KW, 14 Amps 208/240V, 1PH, 3KW, 12/14 Amps | 17"Wx17"Dx22"H | 14"Wx9 1/2"D | 60 lbs | 5-15 P 6-15 P |
| SAVOY | 120V, 1.75KW, 14 Amps | 13"Wx17"Dx22"H | 10"Wx9 1/2"D | 45 lbs | 5-15 P |

WARRANTY: Limited one year parts and labor



100 NIANTIC AVENUE; SUITE 104 PROVIDENCE, RI 02907
 TEL: (401)273-3300 FAX: (401)273-3328 E-mail: sales@equipex.com
 www.equipex.com

