



FOOD EQUIPMENT

SERVING THE FOOD INDUSTRY SINCE 1951

3200-WATT DOUBLE PANINI GRILL WITH FLAT TOP AND BOTTOM

ITEM: 21466 MODEL: PG-CN-0711-F

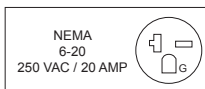


THE PERFECT GRILL TO SERVE YOUR FAVORITE SANDWICHES ANYTIME

Omcan's 10" x 18" Smooth Sandwich Grill has a stainless steel body with cast iron grilling surfaces for easy cleaning. Featuring independent controls for each grilling side. Ideal for panini, foccacia, and pita sandwiches.



WARRANTY
PARTS AND LABOR



Authorized Dealer

FOOD EQUIPMENT

3200-WATT DOUBLE PANINI GRILL WITH FLAT TOP AND BOTTOM



TECHNICAL SPECIFICATIONS

ITEM NUMBER	21466
MODEL	PG-CN-0711-F
GRILL SURFACE	10" x 18" / 254 x 457 mm
THERMOSTAT CONTROL	570° F / 300° C
AMPS	13.3
POWER	3.2 kW / 3200 W
ELECTRIC	220 V / 60 Hz / 1 Ph
TOP GRILL	Flat / Smooth
BOTTOM GRILL	Flat / Smooth
NET WEIGHT	75 lbs. / 34 kg.
GROSS WEIGHT	77 lbs. / 35 kg.
DIMENSIONS (DWH)	15.3" x 19" x 9.7" / 391 x 483 x 248 mm
PACKAGING DIMENSIONS	19.25" x 23" x 13.75" / 489 x 584 x 349 mm

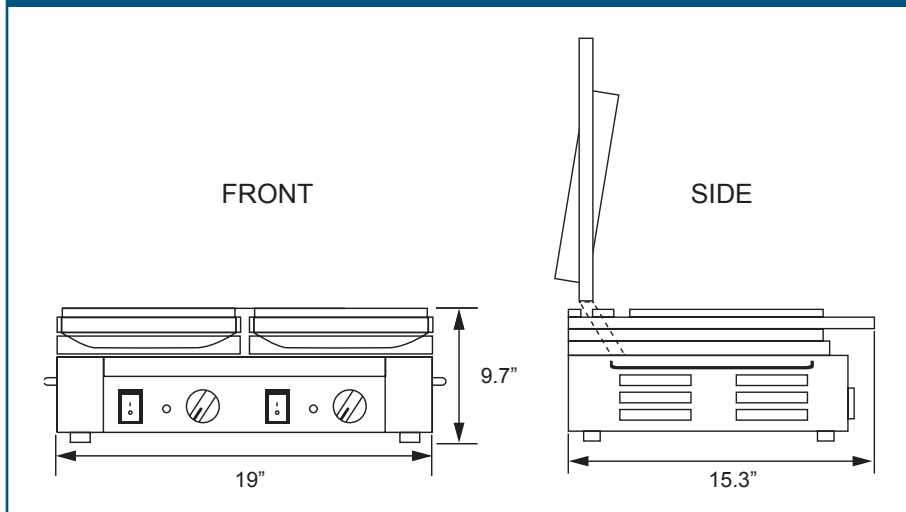
DETAILED SHOTS



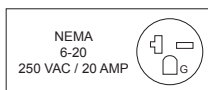
TEMPERATURE CONTROL ON/OFF SWITCH



TECHNICAL DRAWING AND DIMENSIONS



WARRANTY
PARTS AND LABOR



OMCAN INC.

Telephone: 1-800-465-0234

Fax: (905) 607-0234

Email: sales@omcan.com

Website: www.omcan.com



Follow us to keep up to date with the latest news and offers



2016.E.O.E