



**SERVING THE FOOD INDUSTRY SINCE 1951**

## PLASTIC BUSSING CARTS

*Omcan's Plastic Bussing Carts are durable plastic carts with 3 shelves, 4 swivel casters (two with locks). There are 2 tray sizes available: 16" x 24.75" and 19.5" x 31". Assembly required.*



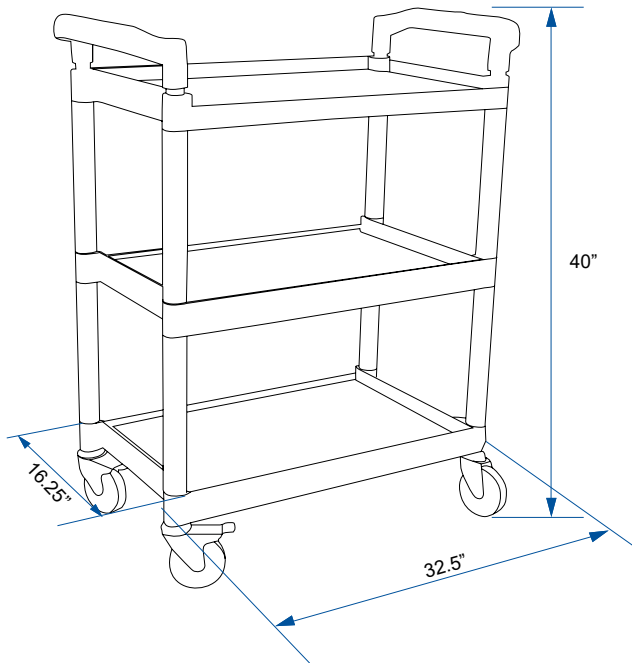
**WARRANTY**



Authorized Dealer

# HANDLING AND STORAGE

PLASTIC BUSSING CARTS 24183 / 18306 / 43069



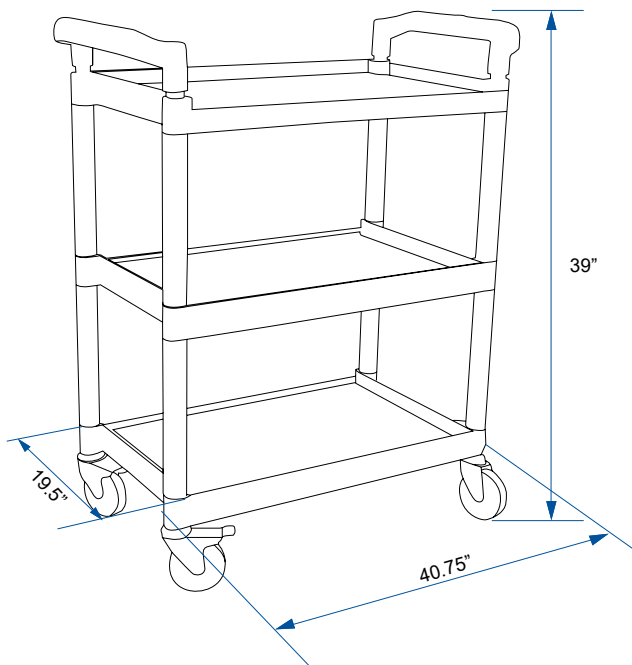
## PLASTIC BUSSING CARTS WITH 16" x 24.75" TRAY SIZE

### TECHNICAL SPECIFICATIONS

ITEM	24183	18306
MATERIAL	Black, Plastic	Gray, Plastic
TRAY SIZE	16" x 24.75" / 406 x 629 mm	
MAXIMUM LOAD CAPACITY	165.34 lbs. / 75 kg.	
DIMENSIONS (DWH)	32.5" x 16.25" x 40" 826 x 413 x 1016 mm	
PACKAGING DIMENSIONS	29" x 17" x 9" 736.6 x 432 x 228.6 mm	
WEIGHT	16.06 lbs. / 7.5 kg.	
PACKAGING WEIGHT	19 lbs. / 8.6 kg.	

### REPLACEMENT CASTERS for items 24183 and 18306 (sold separately)

ITEM	43599	43600
DESCRIPTION	Replacement caster without brake	Replacement caster with brake



## PLASTIC BUSSING CART WITH 19.5" x 31" TRAY SIZE

### TECHNICAL SPECIFICATIONS

ITEM	40369
MATERIAL	Black, Plastic
TRAY SIZE	19.5" x 31" / 495 x 787 mm
MAXIMUM LOAD CAPACITY	198.4 lbs. / 90 kg.
DIMENSIONS (DWH)	40.75" x 19.5" x 39" 1035 x 495 x 991 mm
PACKAGING DIMENSIONS	36" x 22" x 9.5" 914 x 559 x 241 mm
WEIGHT	33.5 lbs. / 15.20 kg.
PACKAGING WEIGHT	37 lbs. / 16.73 kg.

## OMCAN INC.

Telephone: 1-800-465-0234  
 Fax: (905) 607-0234  
 Email: sales@omcan.com  
 Website: www.omcan.com



Follow us to keep up to date with the latest news and offers

