



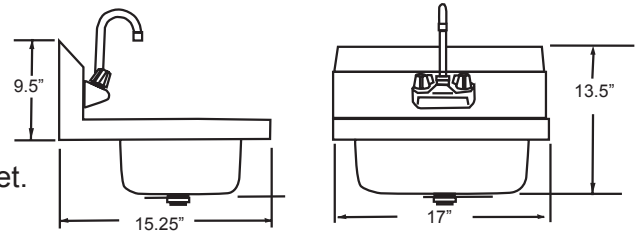
SERVING THE FOOD INDUSTRY SINCE 1951

## HAND SINKS & PEDESTAL SINKS



### Standard Models

Made of high 20 gauge 304 quality stainless steel. Comes with a 6 1/2" back splash and mounting brackets faucet. Also available with side splashes.



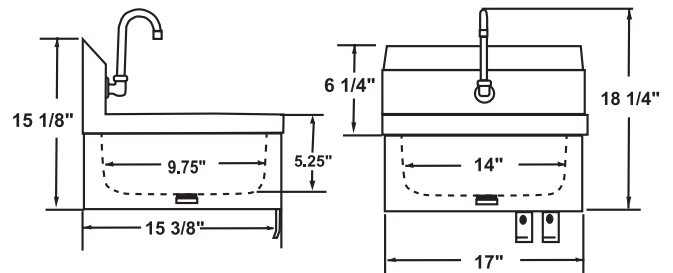
#### Stainless Steel Hand Sink

ITEM	DESCRIPTION	BOWL DIMENSIONS (LWH)	WEIGHT	DIMENSIONS (DWH)	PACKAGING DIMENSIONS
22122	Hand sink with faucet	13.75" x 9.75" x 5.5"	7 lbs.	15.25" x 17" x 13.5"	17" x 18" x 14"
37867	Hand sink with faucet and side splashes	14" x 10" x 6"	7 lbs.	15.25" x 17" x 13.5"	17" x 18" x 14"
14336	Handsink only				
23703	Faucet for HSK101 4" OC				
14337	Drain plug				
31282	Replacement hot cartridge for 22122				
31283	Replacement cold cartridge for 22122				



### Sinks with Knee Valves

Hand sink with faucet. Made of high quality 20 and 18 gauge 304 stainless steel. Also available with side splashes.



#### Stainless Steel Sinks with Knee Valves

ITEM	DESCRIPTION	BOWL DIMENSIONS (DWH)	WEIGHT	DIMENSIONS (DWH)	PACKAGING DIMENSIONS
22288	Hand sink with knee valve assembly	9 3/4" x 14" x 5.25"	19 lbs.	15 3/8" x 17" x 15 1/8"	16" x 18" x 18"
37868	Hand sink with knee valve assembly and side splashes	9 3/4" x 14" x 5.25"	19 lbs.	15 3/8" x 17" x 15 1/8"	16" x 18" x 18"
19728	Hand sink with one hole				
21123	Knee Valve Assembly				
14337	Drain plug for hand sink				
28680	Replacement hot cartridge for 22288				



**OMCAN INC.**

Telephone: 1-800-465-0234  
 Fax: (905) 607-0234  
 E-mail: sales@omcan.com  
 Website: www.omcan.com

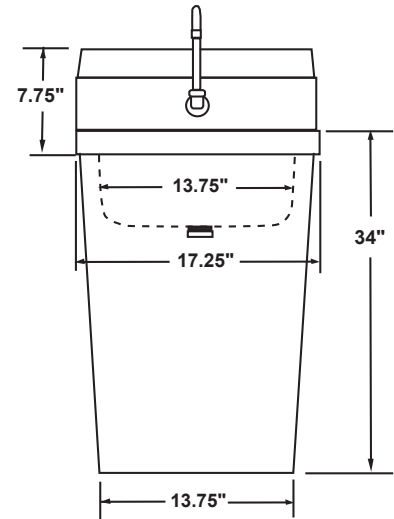
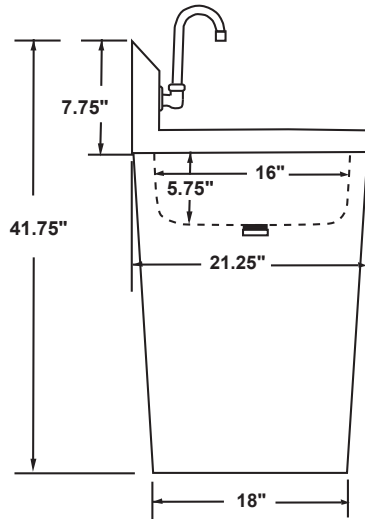


Follow us to keep up to date with the latest news and offers



## Pedestal Sinks

Made of high quality 16 gauge 304 stainless steel. Comes with a 7.75" Backsplash, 34" pedestal, foot pedal control valve and faucet. Also available with side splashes.



Stainless Steel Pedestal Sink		
ITEM	23515	27180
DESCRIPTION	Pedestal sink	Pedestal sink with side splashes
BOWL DIMENSIONS (DWH)	16" x 13.75" x 5.75"	16" x 13.75" x 5.75"
WEIGHT	50 lbs.	50 lbs.
DIMENSIONS (DWH)	13.75" x 18" x 41.75"	13.75" x 18" x 41.75"
GROSS DIMENSIONS	22" x 18" x 43"	22" x 18" x 43"
Replacement Hot Cartridge for Pedestal Sink		
ITEM	28680	28681
DESCRIPTION	Replacement hot cartridge for 23515 / 27180	Replacement cold cartridge for 23515 / 27180



## OMCAN INC.

Telephone: 1-800-465-0234  
 Fax: (905) 607-0234  
 E-mail: sales@omcan.com  
 Website: www.omcan.com



Follow us to keep up to date with the latest news and offers

