



FOOD EQUIPMENT

SERVING THE FOOD INDUSTRY SINCE 1951

COUNTERTOP DISPLAY WARMER

Item: 41872
Model: DW-CN-0080L

Item: 41873
Model: DW-CN-0115L



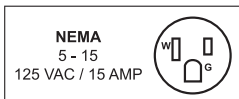
EXCELLENT DISPLAY WARMER PERFECT FOR SERVING WARM PRODUCTS

Serve your customers fresh, warm products with Omcan's DW-CN-0080L and DW-CN-0115L display warmers. Perfect for convenience stores, cafes, and small delis. They feature stainless steel construction with hinged glass doors. They also have adjustable temperature controllers to precisely control the best temperature for your foods. Non-adjustable chrome plated shelves included.

Tray not included



WARRANTY
PARTS AND LABOR



*Locally QPS approved applied to 41872 only



Authorized Dealer

FOOD EQUIPMENT

COUNTERTOP DISPLAY WARMER DW-CN-0080L | 41872

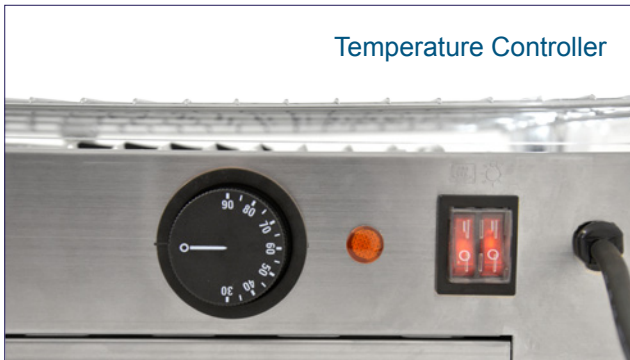


Features:

- Two fixed chrome plated shelves
- Stainless steel construction with 4-hinged glass doors
- Temperature Range: 30° - 90°C / 86° - 194°F
- Adjustable temperature controller
- Interior LED lighting



Interior Lighting

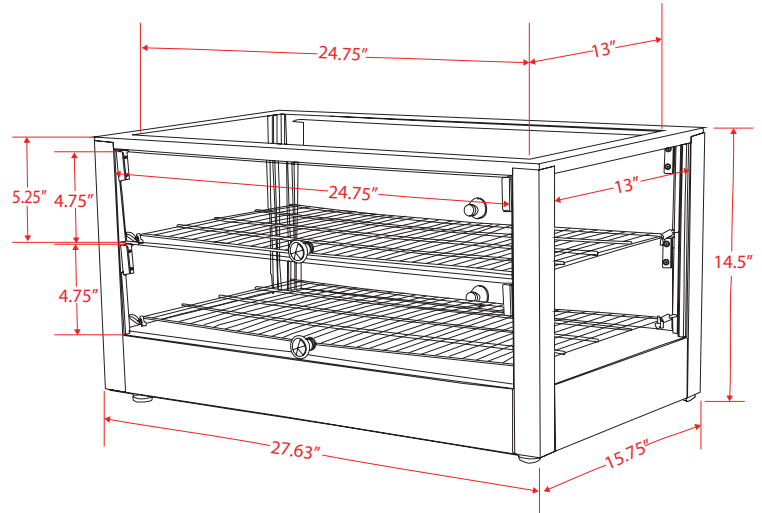


Temperature Controller



Shelves

TECHNICAL DRAWING AND DIMENSIONS



TECHNICAL SPECIFICATIONS

| | |
|----------------------|---|
| ITEM NUMBER | 41872 |
| MODEL | DW-CN-0080L |
| TEMPERATURE RANGE | 30° - 90°C / 86° - 194°F |
| STORAGE VOLUME (L) | 80 L |
| LAMP POWER (W) | 2.6W |
| RATED INPUT POWER | 1000 Watt |
| WIRE SHELF SIZE | 13.25" x 23.75" / 337 x 603 mm |
| GRADE OF WATERPROOF | IPX4 |
| ELECTRICAL | 110V / 60Hz / 1Ph |
| NET WEIGHT | 16.2 kg. / 35.7 lbs. |
| INTERIOR DIMENSIONS | 27" x 14.63" x 9.5" / 686 x 372 x 241 mm |
| DIMENSIONS | 27.63" x 15.75" x 14.5" 700 x 400 x 376 mm |
| PACKAGING DIMENSIONS | 30.8" x 19" x 16.6" 782 x 482 x 422 mm |



NEMA
5 - 15
125 VAC / 15 AMP



OMCAN INC.

Telephone: 1-800-465-0234

Fax: (905) 607-0234

Email: sales@omcan.com

Website: www.omcan.com



Follow us to keep up to date with the latest news and offers



2015.E.O.E

FOOD EQUIPMENT

COUNTERTOP DISPLAY WARMER DW-CN-0115L | 41873

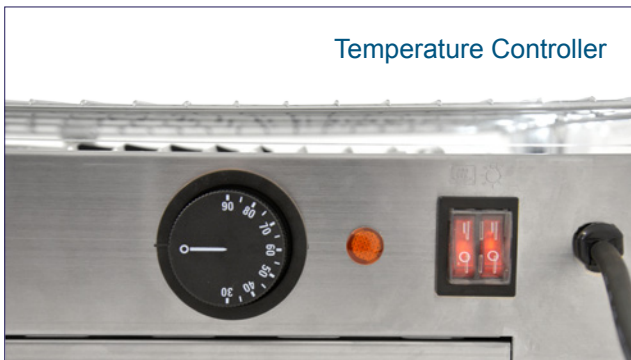


Features:

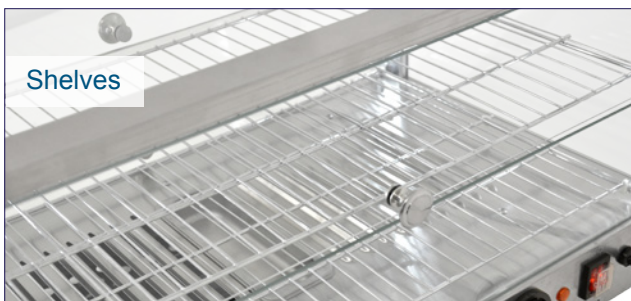
- Three fixed chrome plated shelves
- Stainless steel construction with 6-hinged glass doors
- Temperature Range: 30° - 90°C / 86° - 194°F
- Adjustable temperature controller
- Interior LED lighting



Interior Lighting

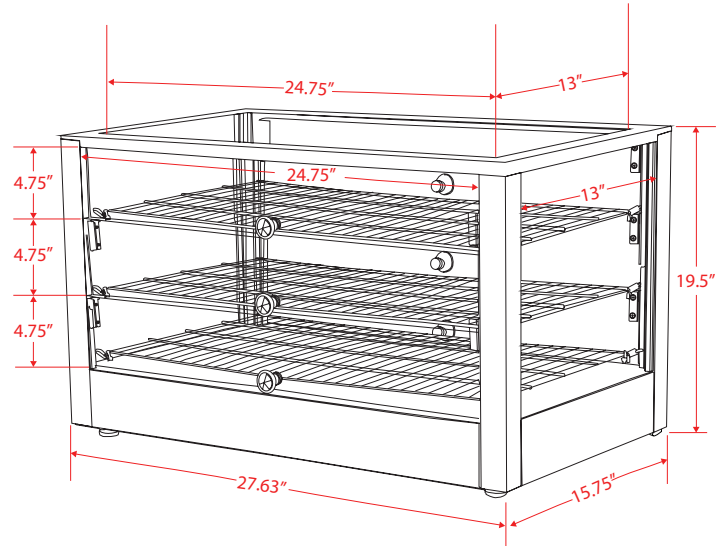


Temperature Controller



Shelves

TECHNICAL DRAWING AND DIMENSIONS



TECHNICAL SPECIFICATIONS

| | |
|----------------------|---|
| ITEM NUMBER | 41873 |
| MODEL | DW-CN-0115L |
| TEMPERATURE RANGE | 30° - 90°C / 86° - 194°F |
| STORAGE VOLUME (L) | 115 L |
| LAMP POWER (W) | 2.6W |
| RATED INPUT POWER | 1300 Watt |
| WIRE SHELF SIZE | 13.25" x 23.75" / 337 x 603 mm |
| GRADE OF WATERPROOF | IPX4 |
| ELECTRICAL | 110V / 60Hz / 1Ph |
| NET WEIGHT | 19.7 kg. / 43.4 lbs. |
| INTERIOR DIMENSIONS | 27" x 14.63" x 14.5" / 686 x 372 x 362mm |
| DIMENSIONS | 27.63" x 15.75" x 19.5" 700 x 400 x 500 mm |
| PACKAGING DIMENSIONS | 30.8" x 19" x 21.6" 782 x 482 x 548 mm |

NEMA
5 - 15
125 VAC / 15 AMP



OMCAN INC.

Telephone: 1-800-465-0234

Fax: (905) 607-0234

Email: sales@omcan.com

Website: www.omcan.com



Follow us to keep up to date with the latest news and offers



2015.E.O.E