

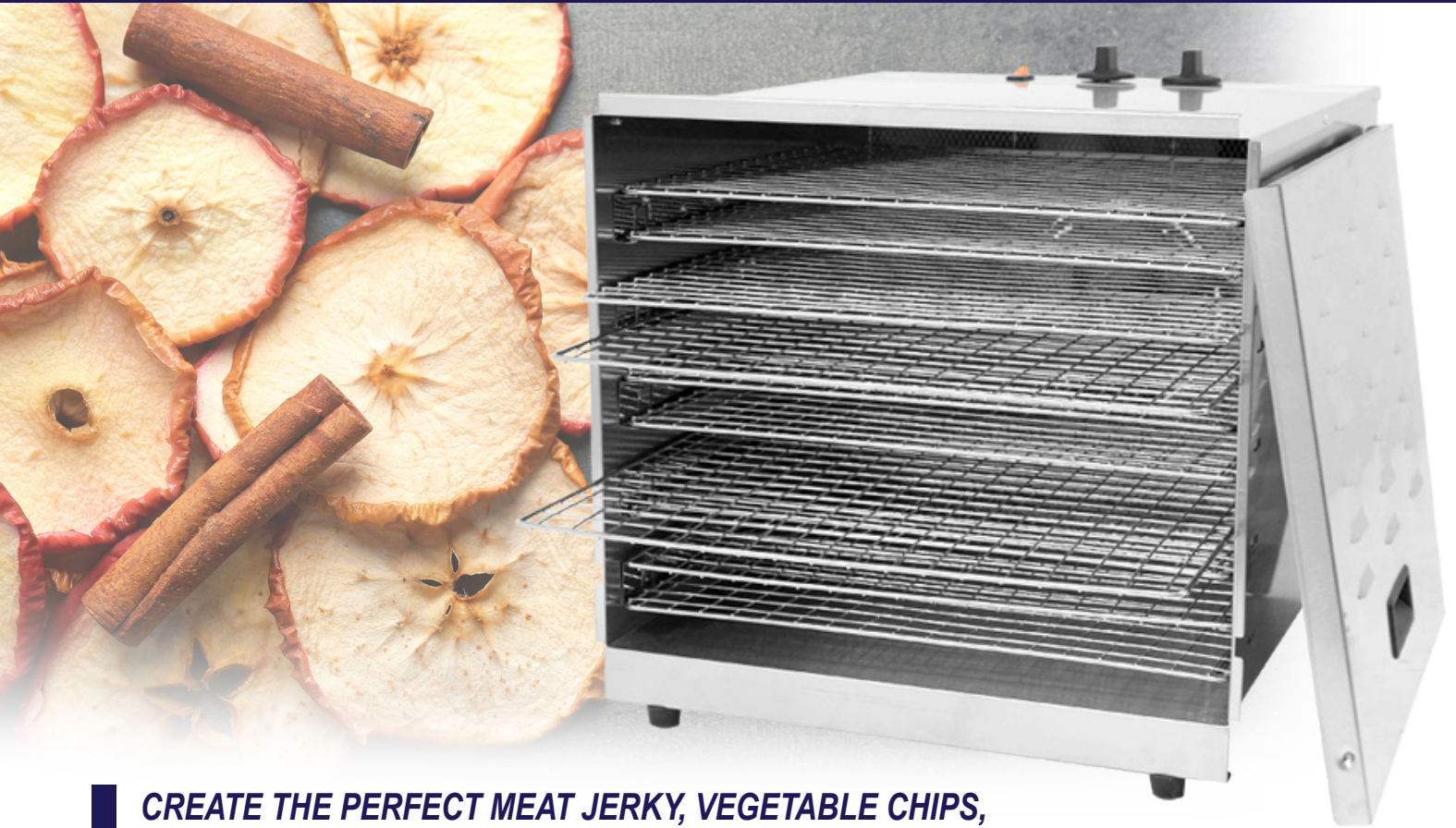


FOOD EQUIPMENT

SERVING THE FOOD INDUSTRY SINCE 1951

FOOD DEHYDRATOR WITH THERMOSTAT CONTROL AND TIMER

Item: 43222 Model: CE-CN-0010-D



**CREATE THE PERFECT MEAT JERKY, VEGETABLE CHIPS,
AND FRUIT PRESERVES AT THE CONVENIENCE OF YOUR OWN KITCHEN**

Conveniently make your own vegetable chips, fruit snacks, and meat jerky using the Omcan's Food Dehydrator. This product is a popular choice amongst modern kitchen in order to produce naturally preserved quality foods. This commercial dehydrator is an excellent solution to retain flavours of your food without the need of additives and preservatives, allowing you to provide healthy food choices for your customers.



WARRANTY
PARTS AND LABOR



NEMA
5 - 15
125 VAC / 15 AMP



Authorized Dealer

FOOD EQUIPMENT

FOOD DEHYDRATOR WITH THERMOSTAT CONTROL AND TIMER

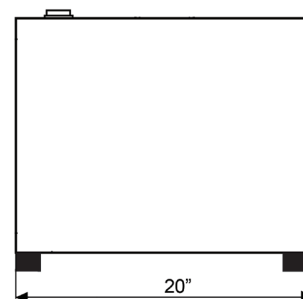
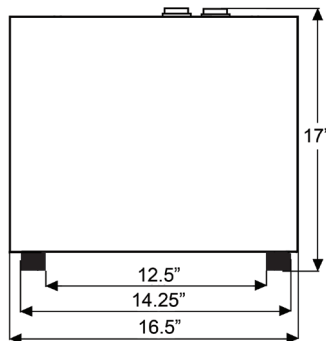


DETAILED PICTURES



TECHNICAL DRAWING AND DIMENSIONS

FRONT VIEW



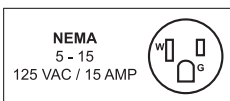
SIDE VIEW

TECHNICAL SPECIFICATIONS

ITEM	43222
MODEL	CE-CN-0010-D
POWER	1000W
RACKS	10
THERMOSTAT CONTROL	85°F (29°C) - 160°F (71°C)
SHELF SIZE	16" x 14.25" / 406.4 x 361.95 mm
ELECTRICAL	120V / 60Hz / 1Ph
WEIGHT	30.4 lbs. / 13.8 kg
PACKAGING WEIGHT	35 lbs. / 15.9 kg
DIMENSIONS (WDH)	16.5" x 20" x 17" 419 x 508 x 431.8 mm
PACKAGING DIMENSIONS	20.5" x 23" x 20" 520.7 x 584.2 x 508 mm



WARRANTY
PARTS AND LABOR



OMCAN INC.

Telephone: 1-800-465-0234

Fax: (905) 607-0234

Email: sales@omcan.com

Website: www.omcan.com



Follow us to keep up to date with the latest news and offers



2018.E.O.E