



COOKING EQUIPMENT

SERVING THE FOOD INDUSTRY SINCE 1951

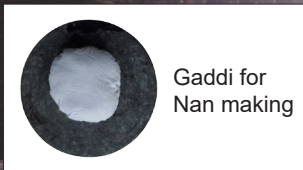
STAINLESS STEEL SQUARE DRUM TANDOOR OVENS

Item: 44386 / 44285 / 44385

Model: CE-IN-2830 / CE-IN-3232 / CE-IN-3434



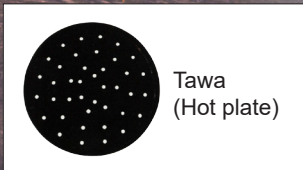
Cook your authentic and favorite dish with Omcan's tandoor clay ovens. Fueled with natural gas, these ovens cook very quickly without burning. They also produce tender, tastier meat as they preserve all the flavors and juices while cooking.



Gaddi for Nan making



Clay Balls



Tawa (Hot plate)



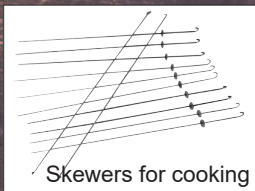
Burner

> Each tandoor includes:



REPAIR KIT

- 1 Additional clay for the pot
- 2 1 jar of Seasoning (to prevent clay breakage)



Skewers for cooking



Natural Gas regulatory for each tandoor ovens must be purchased separately.

Product may not be exactly as shown.



WARRANTY

PARTS AND LABOR

Disclaimer: Our clay pot integrity is reliant on the way it is handled in the kitchen. The usual life for the integrity of the pot is five years. For this reason, our clay pot is not under warranty.

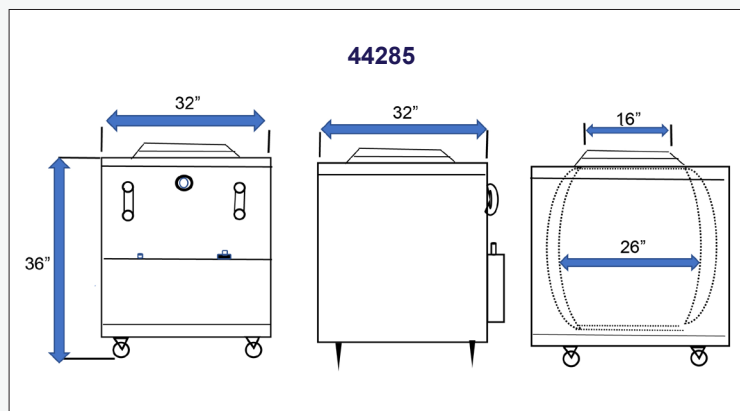
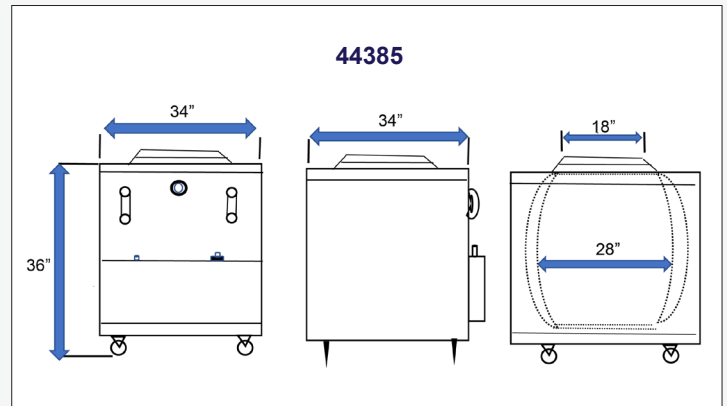
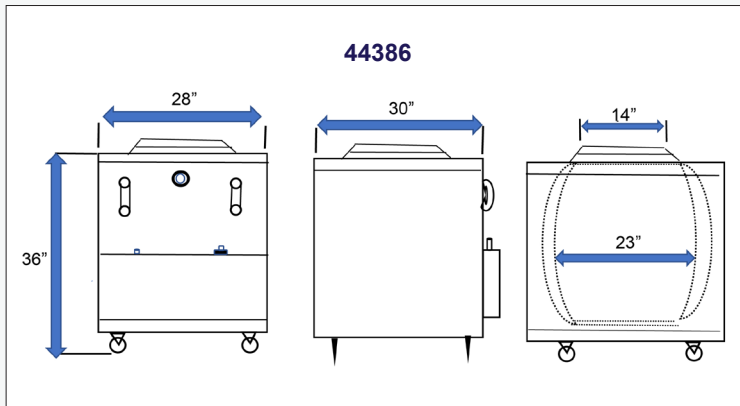


Authorized Dealer

TECHNICAL SPECIFICATIONS

ITEM NUMBER	44386	44285	44385
MODEL	CE-IN-2830	CE-IN-3232	CE-IN-3434
BTU per hour	48,000 BTU		
INTERNAL POT	Clay / Handcrafted	Clay / Handcrafted	Clay / Handcrafted
OUTER BOX	Stainless steel	Stainless steel	Stainless steel
CLAY POT HEIGHT	29" / 736.6 mm	29" / 736.6 mm	29" / 736.6 mm
LID SIZE	19" / 482.6 mm	21" / 533.4 mm	23" / 584.2 mm
GAS BURNER (UMBRELLA)	9" / 228.6 mm	10" / 254 mm	12" / 304.8 mm
GAS BURNER (PIPE EXTENSION)	16" / 406.4 mm	17" / 431.8 mm	18" / 457.2 mm
OVER-ALL DIMENSIONS (DWH)	30" x 28" x 36"	32" x 32" x 36"	34" x 34" x 36"
NET WEIGHT	509.3 lbs. / 231 kg.	557.8 lbs. / 253 kg.	610.68 lbs. / 231 kg.
GROSS WEIGHT	564.4 lbs. / 256 kg.	623.9 lbs. / 261 kg.	676.8 lbs. / 256 kg.

TECHNICAL DRAWINGS WITH DETAILED DIMENSIONS



OMCAN INC.

Telephone: 1-800-465-0234

Fax: (905) 607-0234

E-mail: sales@omcan.com

Website: www.omcan.com



Follow us to keep up to date with the latest news and offers

