



REFRIGERATION

SERVING THE FOOD INDUSTRY SINCE 1951

28-INCH SINGLE DOOR GLASS REFRIGERATORS

ITEM: 50036 MODEL: RE-CN-0023 | ITEM: 50037 MODEL: RE-CN-0023-H



THE PERFECT SOLUTION TO EXHIBIT COLD MERCHANDISE

Omcan's 28-inch single door glass refrigerators are perfect for your products, with the outside material made from painted steel. Their crystal clear, self-closing door are perfect to see the products inside. They also feature automatic defrosting and high density polyurethane insulation.



WARRANTY

2 YEARS PARTS & LABOR
5 YEARS ONLY ON COMPRESSOR



NEMA
5 - 15
125 VAC / 15 AMP



Authorized Dealer

REFRIGERATION

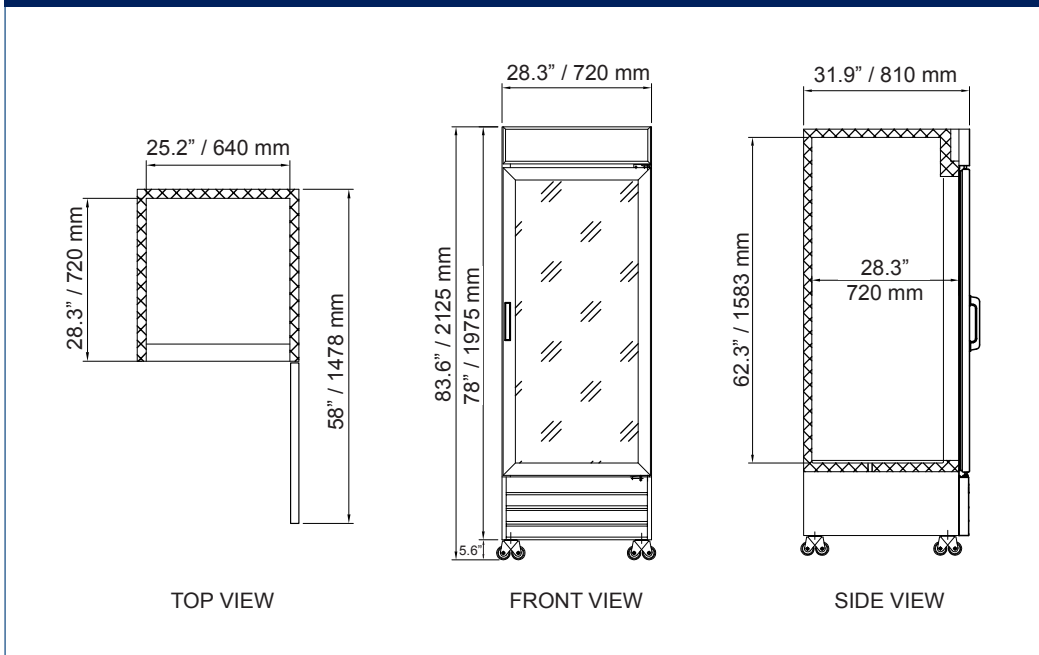
28-INCH SINGLE DOOR GLASS REFRIGERATOR RN-CN-0023



Features:

- Outside material: Painted steel
- Self-closing doors
- Plastic coated steel shelves with shelf tag holder
- Automatic defrosting
- Polyurethane insulation
- Removable door gasket
- Shelf Capacity: 90 lbs. / 41 kg.
- Temperature range: 0.5°C - 5°C / 33°F - 41°F

TECHNICAL DRAWING AND DIMENSIONS



TECHNICAL SPECIFICATIONS

ITEM NUMBER	50036	NUMBER OF DOORS	1
MODEL	RE-CN-0023-HC	NUMBER OF SHELVES	4
DESCRIPTION	Single Door Glass Refrigerator	SHELF CAPACITY	90 lbs. / 41 kg.
TEMPERATURE RANGE	0.5°C - 5°C / 33°F - 41°F	CASTERS	✓
MAX AMBIENT TEMP RATING	32.2°C / 90°F	EXTERIOR DIMENSIONS (WDH)	28.3" x 31.9" x 83.6" 720 x 810 x 2125 mm
POWER	1/5 HP	INTERIOR DIMENSIONS (WDH)	25.2" x 28.3" x 62.3" 640 x 720 x 1583 mm
PHASE	1	PACKAGING DIMENSIONS	30" x 36" x 86" 762 x 914.4 x 2184.4 mm
ELECTRICAL	110 V / 60 Hz	NET VOLUME	648 L / 23 cu. ft.
AMPS	3	NET WEIGHT	320 lbs. / 145 kg.
REFRIGERANT	R290	GROSS WEIGHT	336 lbs. / 152.4 kg
COOLING SYSTEM	Ventilated		

OMCAN INC.

Telephone: 1-800-465-0234

Fax: (905) 607-0234

Email: sales@omcan.com

Website: www.omcan.com



Follow us to keep up to date with the latest news and offers



2015.E.O.E

REFRIGERATION

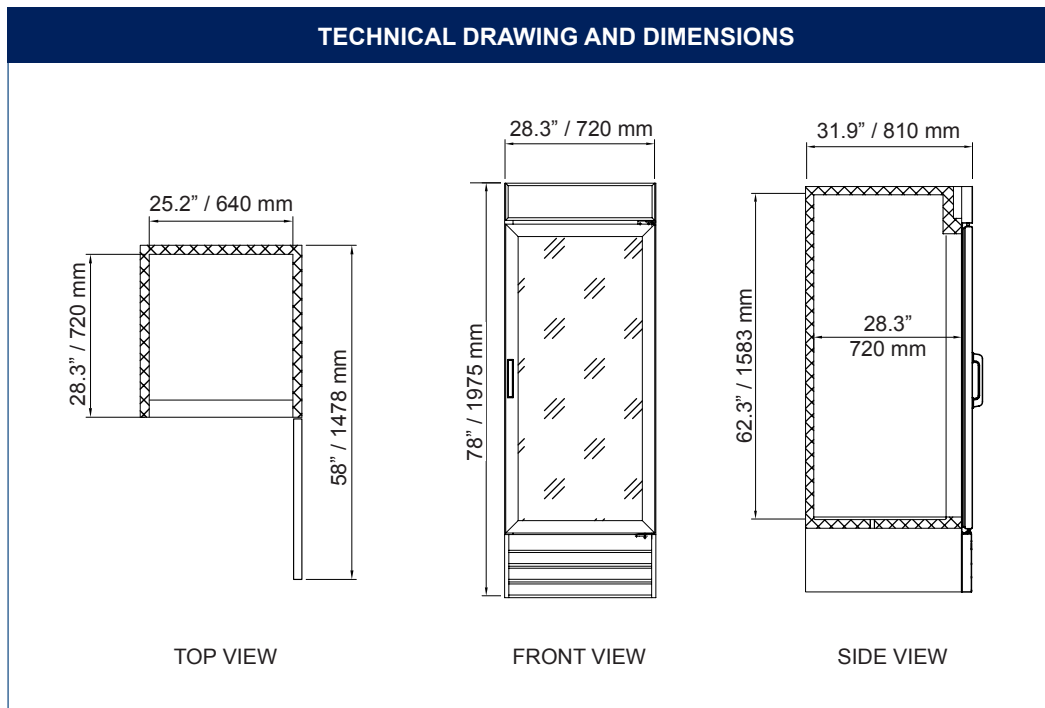
28-INCH SINGLE DOOR GLASS REFRIGERATOR RN-CN-0023-BL



Features:

- Outside material: Painted steel
- Self-closing doors
- Plastic coated steel shelves with shelf tag holder
- Automatic defrosting
- Polyurethane insulation
- Removable door gasket
- Shelf Capacity: 90 lbs. / 41 kg.
- Temperature range: 0.5°C - 5°C / 33°F - 41°F

TECHNICAL DRAWING AND DIMENSIONS



TECHNICAL SPECIFICATIONS

ITEM NUMBER	50037	NUMBER OF DOORS	1
MODEL	RE-CN-0023-H	NUMBER OF SHELVES	5
DESCRIPTION	Single Door Glass Refrigerator	SHELF CAPACITY	90 lbs. / 41 kg.
TEMPERATURE RANGE	0.5°C - 5°C / 33°F - 41°F	CASTERS	X
MAX AMBIENT TEMP RATING	32.2°C / 90°F	EXTERIOR DIMENSIONS (WDH)	28.3" x 31.9" x 83.6" 720 x 810 x 2125 mm
POWER	1/5 HP	INTERIOR DIMENSIONS (WDH)	25.2" x 28.3" x 62.3" 640 x 720 x 1583 mm
PHASE	1	PACKAGING DIMENSIONS	30" x 36" x 86" 762 x 914.4 x 2184.4 mm
ELECTRICAL	110 V / 60 Hz	NET VOLUME	648 L / 23 cu. ft.
AMPS	3	NET WEIGHT	320 lbs. / 145 kg.
REFRIGERANT	R290	GROSS WEIGHT	336 lbs. / 152.4 kg
COOLING SYSTEM	Ventilated		

OMCAN INC.

Telephone: 1-800-465-0234
 Fax: (905) 607-0234
 Email: sales@omcan.com
 Website: www.omcan.com



Follow us to keep up to date with the latest news and offers

