



REFRIGERATION

SERVING THE FOOD INDUSTRY SINCE 1951

REFRIGERATED CHEF BASES WITH DRAWERS

Item: 50070
Model: RE-CN-0036-C

Item: 50071
Model: RE-CN-0052-C

Item: 50072
Model: RE-CN-0072-C



Authorized Dealer



WARRANTY
PARTS AND LABOR



REFRIGERATION

REFRIGERATED CHEF BASES WITH DRAWERS



Features:

- Made of 304 Stainless steel made interior and exterior and a matching aluminum finished back
- Easy to clean interior with rounded corners
- Constructed with heavy-duty reinforced stainless steel top with drip-resistant "V" edge to avoid spillage
- Refrigeration system holds 33°F to 41°F (0.5°C to 5°C) for the best in food preservation
- Electronic control system: Adjustable temperature control and defrost frequency
- Standard drawer features: Heavy-duty pull handle, tracks and rollers. Ensuring drawers are easy to open and close while maintaining a quality performance
- Standard heavy-duty casters included
- Accessible condenser coil for easy service access
- Simple installation with no plumbing required

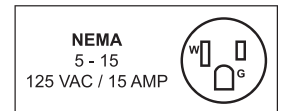


1 YEAR WARRANTY
PARTS AND LABOR



TECHNICAL SPECIFICATION

ITEM NUMBER	50070	50071	50072
MODEL	RE-CN-0036-C	RE-CN-0052-C	RE-CN-0072-C
NET VOLUME (CU. FT.)	29 cu.ft/ 821 L	34 cu.ft/ 960 L	47 cu.ft/ 1341 L
NUMBER OF DRAWERS	2	2	4
SHELF CAPACITY (EACH DRAWER)	GN Pans: (1) Full size - 12"L x 20" W x 4"D & (3) 1/6 size - 6"L x 6"W x 4"D	GN Pans: (3) Full size - 12"L x 20" W x 4"D	GN Pans: (8) Full size - 12"L x 20" W x 4"D
TEMPERATURE RANGE	33-41°F/ 0.5-5°C	33-41°F/ 0.5-5°C	33-41°F/ 0.5-5°C
HORSEPOWER	1/6	1/4+	1/3+
ELECTRICAL	110V/60Hz/1Ph	110V/60Hz/1Ph	110V/60Hz/1Ph
RATED CURRENT	2.1A	2.9A	3.9A
REFRIGERANT	R290	R290	R290
CORD LENGTH	7.4 ft./ 2.25 m	7.4 ft./2.25 m	7.4 ft./2.25 m
DIMENSIONS (WDH)	36" x 32" x 25"/ 924 x 816 x 644 mm	52" x 32" x 25"/ 1318 x 816 x 644 mm	72" x 32" x 25"/ 1838 x 816 x 644 mm
NET WEIGHT	154 lbs./ 70 kg.	209 lbs./ 95 kg.	330.7 lbs./ 150 kg.
GROSS WEIGHT	198 lbs./ 90 kg.	253.5 lbs./ 115 kg.	374.7 lbs./ 170 kg.



OMCAN INC.

Telephone: 1-800-465-0234
 Fax: (905) 607-0234
 Email: sales@omcan.com
 Website: www.omcan.com



Follow us to keep up to date with the latest news and offers



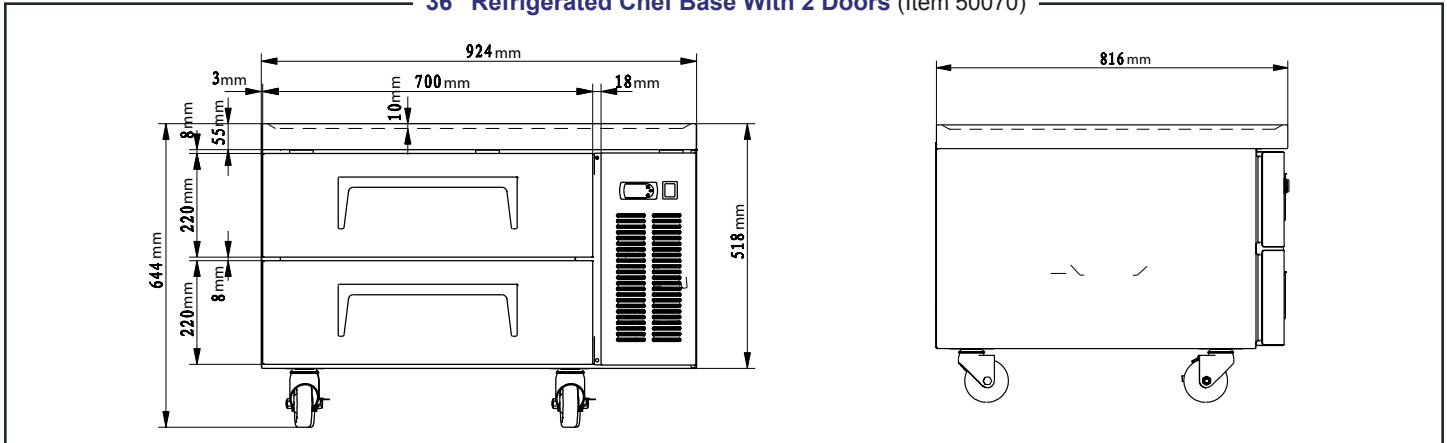
REFRIGERATION

REFRIGERATED CHEF BASES WITH DRAWERS

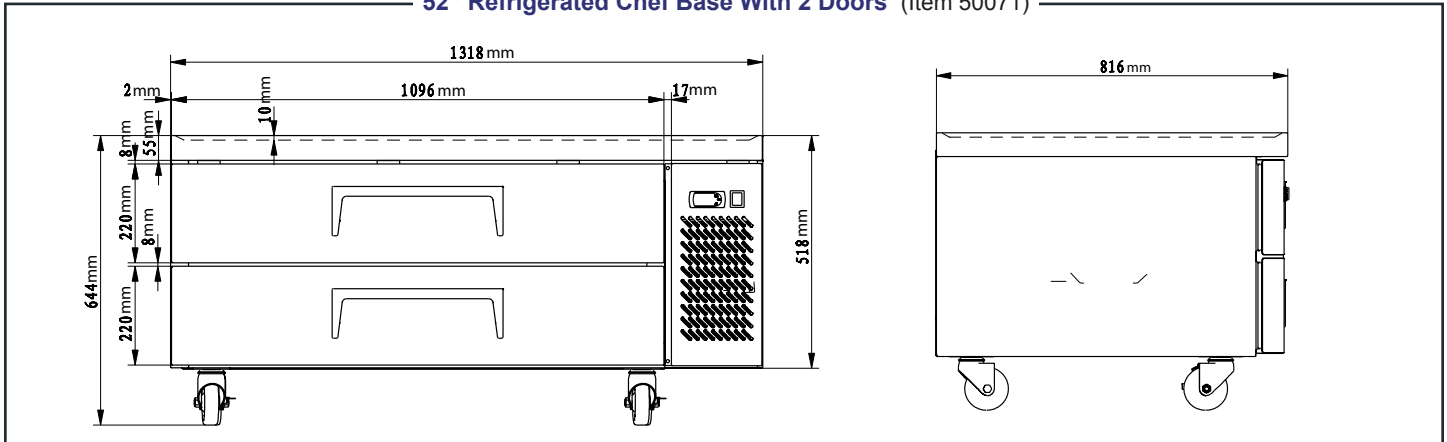


Technical Drawing With Dimensions:

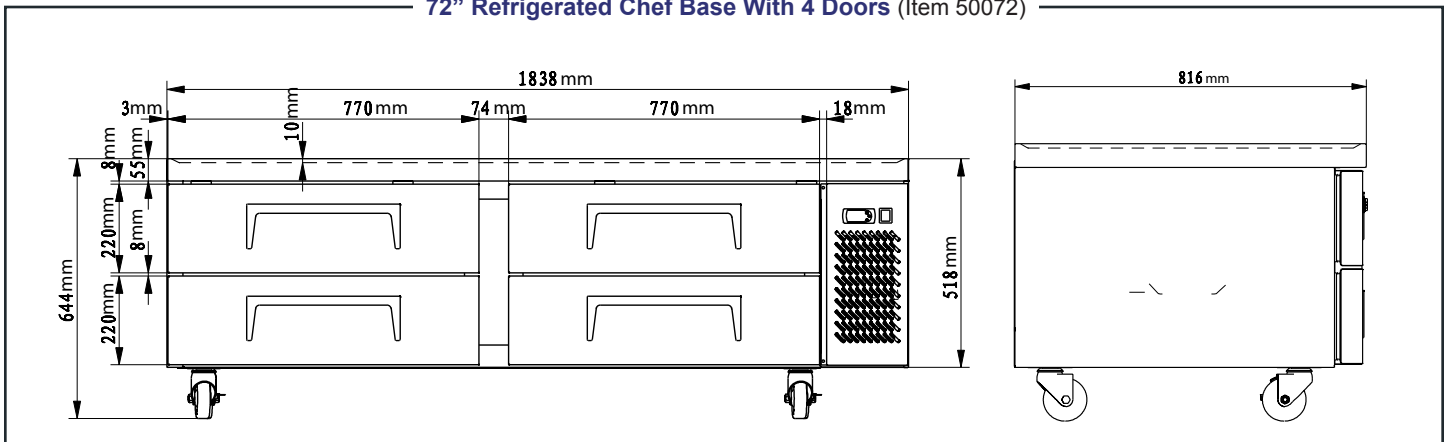
36" Refrigerated Chef Base With 2 Doors (Item 50070)



52" Refrigerated Chef Base With 2 Doors (Item 50071)



72" Refrigerated Chef Base With 4 Doors (Item 50072)



OMCAN INC.

Telephone: 1-800-465-0234
 Fax: (905) 607-0234
 Email: sales@omcan.com
 Website: www.omcan.com



Follow us to keep up to date with the latest news and offers

