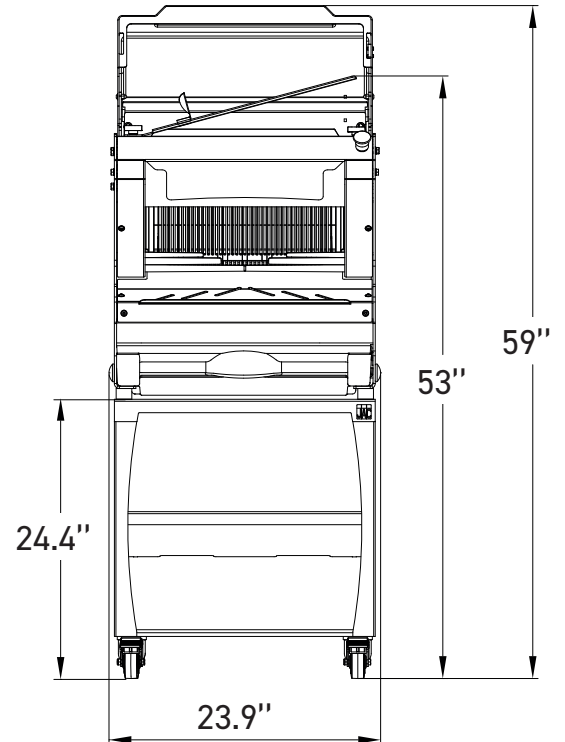
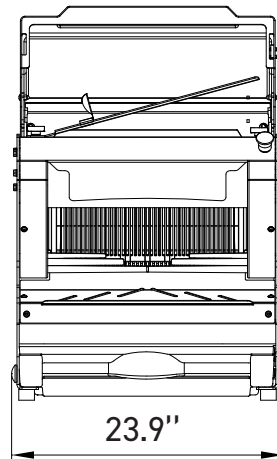
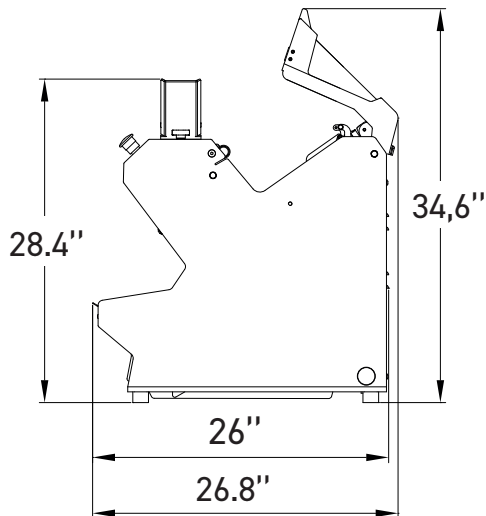




# PICOMATIC ONE

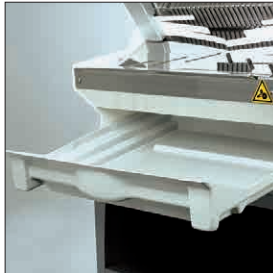
## Automatic frame slicer

- ✓ Small footprint
- ✓ Can be used on a counter-top or on a base
- ✓ Automatic slicing cycle, simple to use and optimizes time management
- ✓ Ergonomic front loading design
- ✓ Intelligent Slicing Concept
- ✓ 5 years parts / 1 year labor warranty





**Intelligent Slicing Concept (JAC patent)**  
 Continuous automatic control system that slices loaves according to their consistency. This allows open textured, crusty and dense breads to be sliced with equal efficiency.



**Removable crumb collector**  
 Made of light-weight material, accessible from the front. 1,85 gallons capacity.



**Accessory**  
**Wheeled base**  
 Provides storage space and mobility.



**Option**  
**AutoMode**  
 Automatic cutting cycle for optimum time management. Increased accessibility while maintaining an optimum safety level.  
 Achieves maximum output combined with fewer operations.

**FEATURES**

**PICOMATIC ONE 450**

Max. loaf dimensions in in (L x W x H)	17.3" x 11.8" x 7"
Rear safety cover	•
Motor power in kW	0.49
Type of motor	1ph/120V/60Hz/7.3A
Plug configuration	NEMA 5-15P*
Net weight in lbs	231

**CHOICES**

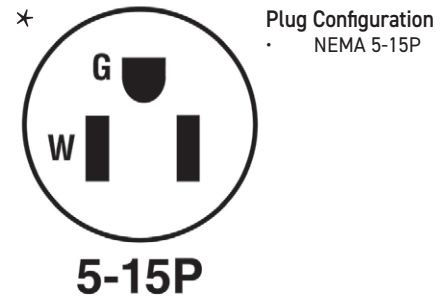
Slice thickness options | from 3/8" to 5/8"

**OPTION**

Special slice thickness (more than 5/8 ")	•
<b>AutoMode</b>	•

**ACCESSORY**

Wheeled base	•
--------------	---



Warranty valid for all parts on your machine, including electronic components but excluding consumables.  
 Please do not hesitate to contact your approved dealer for further information.

