



Item: \_\_\_\_\_

Quantity: \_\_\_\_\_

Project: \_\_\_\_\_

Stock Pot and Wok Ranges

## Royal Series

<b>Models:</b>	<input type="checkbox"/> RSP-18-18	<input type="checkbox"/> RSP-18	<input type="checkbox"/> RSP-18-36	<input type="checkbox"/> RSP-18D-24	<input type="checkbox"/> RSP-18D-36
	<input type="checkbox"/> RSP-24	<input type="checkbox"/> RSP-18T	<input type="checkbox"/> RSP-J-18	<input type="checkbox"/> RMJ-13	<input type="checkbox"/> RMJ-15



RSP-18



RMJ-13

Gas Type:  Natural  LP

Elevation (if above 2000 ft.): \_\_\_\_\_

### Standard Features

- Full width, removable stainless steel drip pan to catch spills for easy cleanup
- Compact, heavy gauge chassis for long life
- Stainless steel sides and front valve cover
- T - Tempura Wok Top
- J - Jet Burner
- Stainless steel tubing for pilots

### Options and Accessories

- Upgrade 13" or 15" black Wok Top to stainless steel
- 5" swivel casters (set of four - 2 locking)
- 5" swivel casters (set of six - 3 locking) for double stock pots

### Stock Pot Ranges:

- Heavy, cast iron three-ring burner, rated at a total of 90,000 BTU/hr
- Burner is equipped with two continuous pilots strategically placed for instant ignition of each section
- Two Manual controls to operate the inner and outer rings independently for maximum flexibility of usage
- Cast iron top grate

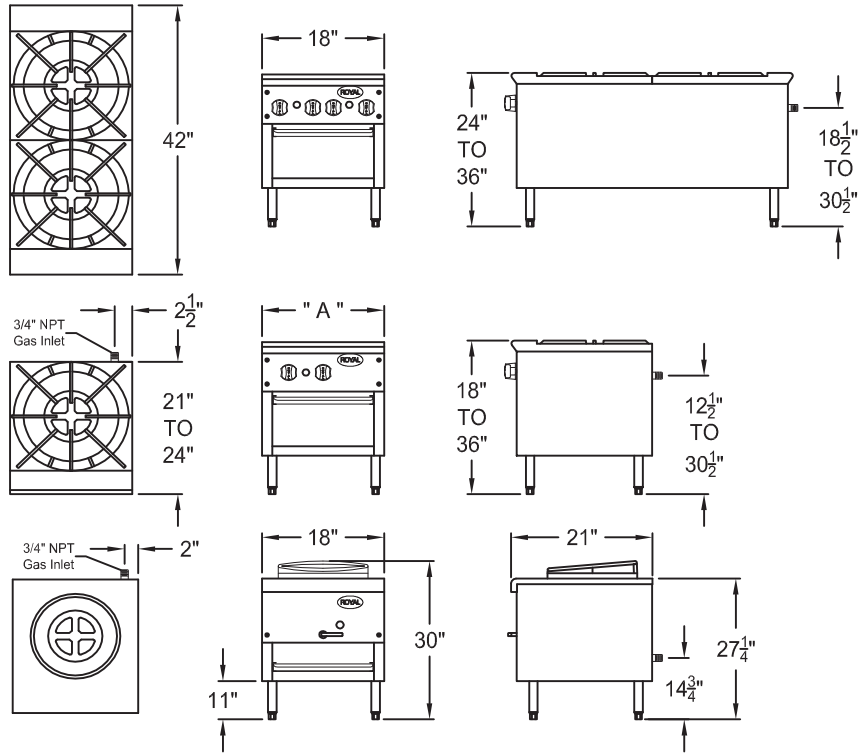
### Mandarin Wok Ranges:

- Non-clogging, brass burner tips rated at a combined total of 125,000 BTU/hr



**2 YEAR LIMITED, PARTS AND LABOR WARRANTY**

# Stockpot and Wok Ranges



Model Number	Width	Depth	Height	Burners	Total BTU	Ship Weight
RSP-18-18	18"	21"	18"	1 <sup>1</sup>	90,000	105 lbs.
RSP-18	18"	21"	24"	1 <sup>1</sup>	90,000	110 lbs.
RSP-18-36	18"	21"	36"	1 <sup>1</sup>	90,000	110 lbs.
RSP-18D-24	18"	42"	24"	2 <sup>1</sup>	180,000	220 lbs.
RSP-18D-36	18"	42"	36"	2 <sup>1</sup>	180,000	220 lbs.
RSP-24	24"	24"	24"	1 <sup>1</sup>	90,000	160 lbs.
RSP-18T*	18"	21"	24"	1 <sup>1</sup>	90,000	135 lbs.
RSP-J-18	18"	21"	24"	1 <sup>2</sup>	125,000	140 lbs.
RMJ-13	18"	21"	30"	1 <sup>2</sup>	125,000	130 lbs.
RMJ-15	18"	21"	30"	1 <sup>2</sup>	125,000	135 lbs.

**Notes:**

\* Tempura Wok Top

1. 3 Ring Burner - 2 Segments at 45,000 BTU/hr
2. 18 Tip Jet Burner at 125,000 BTU/hr each

**Gas Connection:**

3/4" NPT on the right hand rear of the appliance.

The pressure regulator (supplied) is to be connected by the installer.

Specify type of gas and altitude, if over 2,000 feet, when ordering.

**Gas Pressure:**

5" W.C.	Natural Gas
10" W.C.	Propane

**Clearances:**

	Combustible	Non-Combustible
Rear	17"	4"
Sides	15"	0"

Due to continuing product development to ensure best possible performance, these specifications are subject to change without prior notification.

**Royal Range of California, Inc.**  
 3245 Corridor Dr. • Eastvale, CA 91752 • (800) 769-2414 • (951) 360-1600  
 Fax: (951) 360-7500 • www.royalranges.com • sales@royalranges.com