



Ice Cream Machines (Gelato & Sorbet)

Ice cream machines by Nemox are simple, sophisticated and versatile. The countertop models are compact, perfect for small working environments. The freestanding units with locking wheels offer flexibility in the workplace during

operation and for storage when not in use. Units equipped with an electronic inverter system allow you to control and regulate the speed of the blades, affecting the density and texture of your product.

4 Production Programs

+ 4 Storage Programs:
Adaptable to the needs and characteristics of the product

GELATO CLASSICO
Full-bodied, intense flavor

SEMI-SOFT ICE CREAM
Can be shaped into molds

GRANITA
With ice crystals clearly defined

SHOCK FREEZE
Any liquid: from 176-50°F (80-10°C) in 8 mins

These programs allow the machines to operate autonomously, leaving you free to focus on other tasks. The software automatically detects the density of the product and activates the storage program, maintaining optimal temperature and consistency for dispensing.

Avoid unnecessary waste: adding ingredients can be done as the volume in the machine is depleted. In about 4-5 minutes, the desired quantity and consistency will be replenished at the perfect temperature, ready for dispensing.

Features:

- Manual or Automatic operation
- Large opening lid with magnetic safety device
- Easy cleaning through the drain valve
- Stainless steel construction (body and blade with adjustable and replaceable scrapers)
- Air cooling

Crea 5K



0038251250

- Countertop

Crea 6K



0038181250

- Countertop
- Electronic inverter system

Crea 10K



0038111250

- Freestanding
- Electronic inverter system

Crea 12K



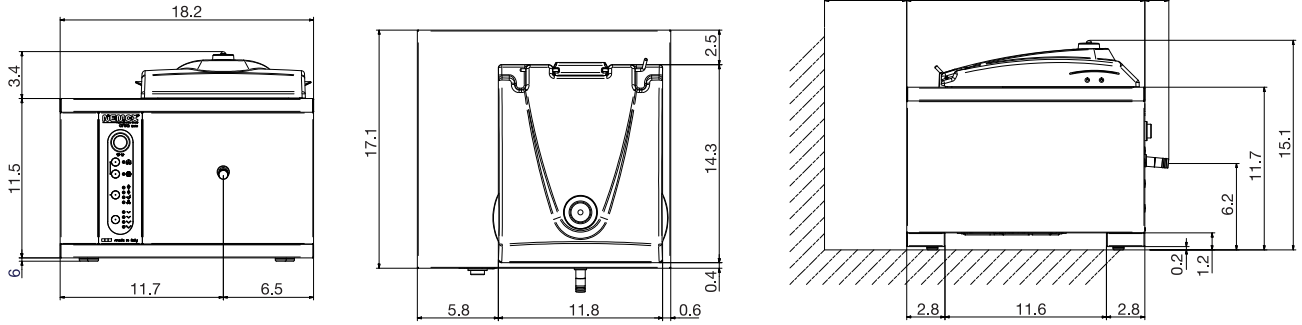
0038151250

- Freestanding
- Electronic inverter system
- Frontal extraction system

POWER	120V, 650W, 5.4A, 5-15P	120V, 800W, 6.7A, 5-15P	120V, 1100W, 9A, 5-15P	120V, 1300W, 10.8A, 5-15P
PRODUCTION CAPACITY	1.85 Qt (1.75 L) per cycle	2.65 Qt (2.5 L) per cycle	3.2 Qt (3 L) per cycle	3.8 Qt (3.6 L) per cycle
AVERAGE CYCLE DURATION	12-15 mins	12-15 mins	12-15 mins	10-12 mins
MAX. INGREDIENTS CAPACITY	1.25 kg (2.76 lbs)	1.75 kg (3.86 lbs)	2 kg (4.4 lbs)	2.5 kg (5.5 lbs)
BOWL CAPACITY	3.4 Qt (3.2 L)	5.4 Qt (5 L)	6.34 Qt (6 L)	6.34 Qt (6 L)
SPEED	70 RPM	5-115 RPM	60-130 RPM	60-130 RPM
DIMENSIONS (L x W x H)	19" x 18.3" x 15.5"	21" x 22.8" x 17.7"	23.4" x 17.7" x 41.5"	29" x 17.7" x 41.5"
NET WEIGHT	75 lbs	92.5 lbs	148 lbs	163 lbs
SHIP DIMENSION (L x W x H)	22.75" x 23.6" x 22.5"	23.6" x 25.2" x 24.75"	26" x 23.5" x 52.75"	26" x 23.6" x 53"
SHIP WEIGHT	88 lbs	110 lbs	159 lbs	181 lbs

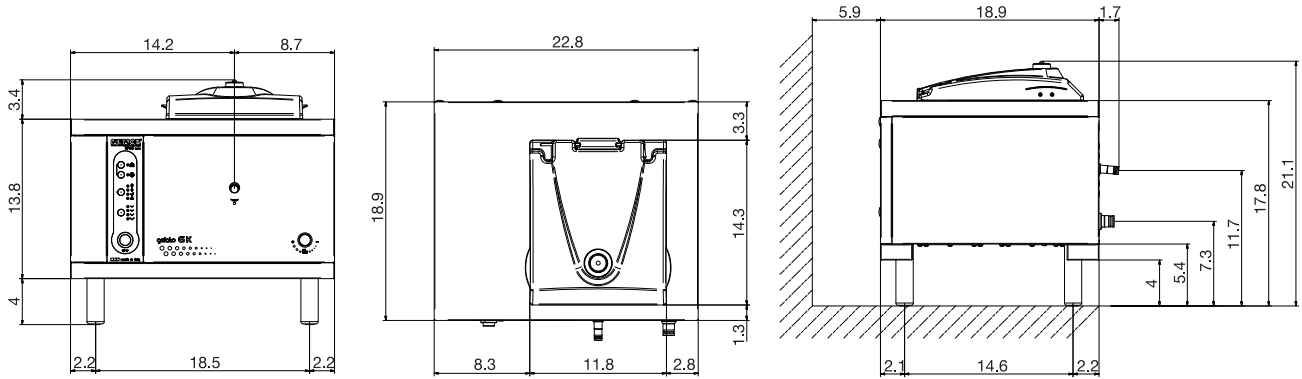
Crea 5K

0038251250



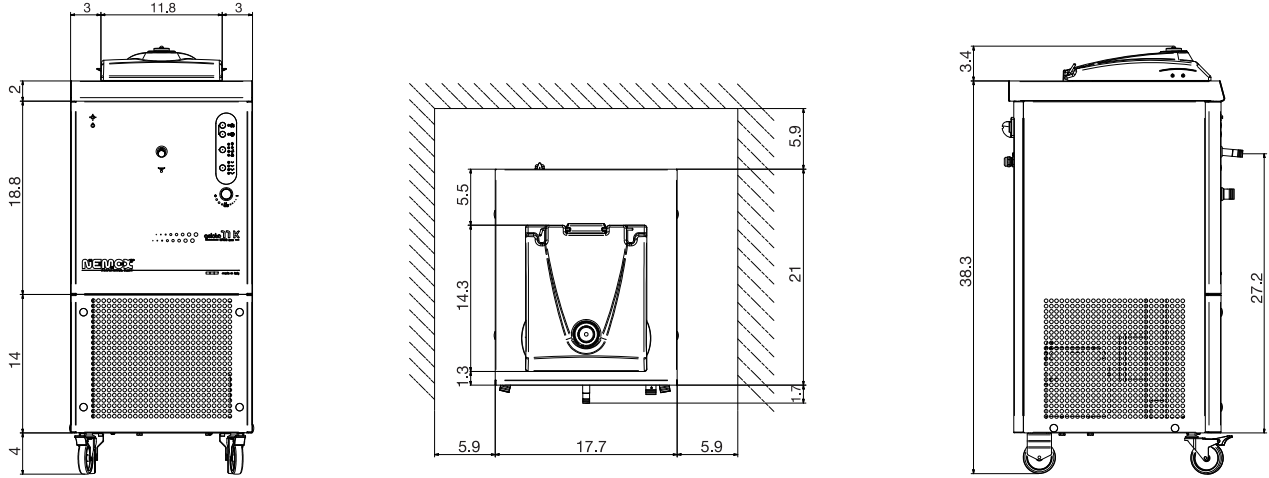
Crea 6K

0038181250



Crea 10K

0038111250

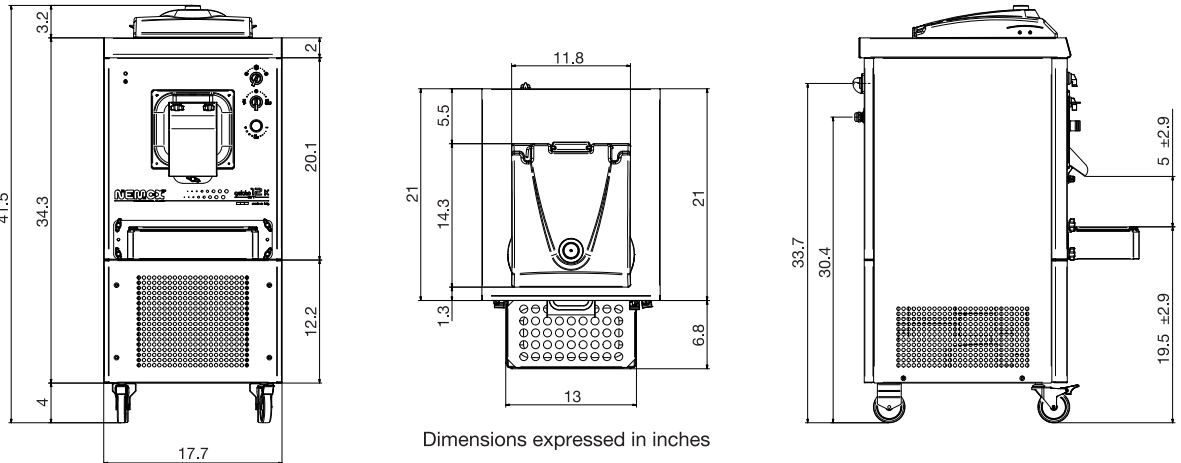


Crea 12K

0038151250



Warranty
(1) year parts & labor



Dimensions expressed in inches