



**AX-M20  
20 QUART MIXER**



**PROJECT** \_\_\_\_\_  
**ITEM #** \_\_\_\_\_  
**QUANTITY** \_\_\_\_\_



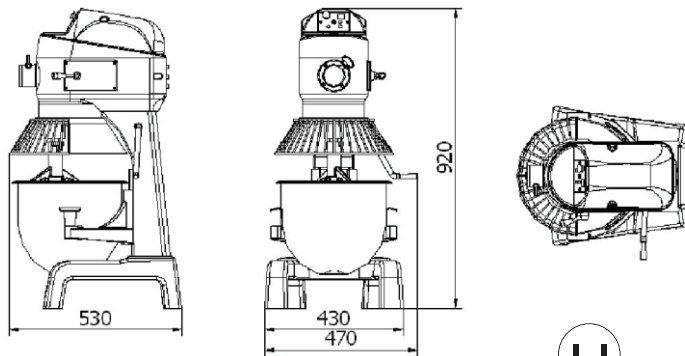
**AX-M20  
20 QUART MIXER**

The Axis Model AX-M20 is an advanced design, highly reliable professional food processing tool, and is ideal for mixing all types of dough, as well as eggs, cream, mayonnaise, etc. These all-purpose mixers use a powerful, planetary mixing action to thoroughly blend, mix and aerate all ingredients with consistent and predictable results.

<b>STANDARD FEATURES</b>	<b>STANDARD ACCESSORIES</b>
<ul style="list-style-type: none"> <li>★ 0.5 HP motor</li> <li>★ Reliable and dependable gear drive design</li> <li>★ Digital timer (0-30 minutes)</li> <li>★ 3 speeds</li> <li>★ Heat-treated hardened alloy steel gears and shaft</li> <li>★ Stainless steel bowl guard</li> <li>★ Side mounted controls (Timer, separate start and emergency stop button)</li> <li>★ Silent operation</li> <li>★ Highest quality aluminum alloy used for maximum standards of hygiene.</li> <li>★ 6 foot cord and plug</li> </ul>	<ul style="list-style-type: none"> <li>★ 20 Quart S/S bowl</li> <li>★ Aluminum flat beater</li> <li>★ S/S wire whip</li> <li>★ Aluminum dough hook</li> </ul> <p style="text-align: center;"><b>OPTIONAL ACCESSORIES</b></p> <ul style="list-style-type: none"> <li>★ VS Attachment ( <i>housing only</i> )</li> <li>★ Disks avail. for VS Attachment: (Shredder, grater and slicer disks) <i>Sold separately</i></li> <li>★ Meat mincer attachment</li> </ul>

Model	Capacity	Motor	Amps	Speeds	Electrical
<b>AX-M20</b>	<b>20 Quart</b>	<b>3 Speeds</b>	<b>10</b>	<b>129/239/437</b>	<b>110v / 60hz / 1ph</b>

## TECHNICAL DRAWING



### DIMENSIONS

**Overall Width** = 16.9" (430mm)  
**Overall Depth** = 20.8" (530mm)  
**Overall Height** = 36.2" (920mm)

### WEIGHT

**NET** = 220 lbs  
**SHIPPING** = 275 lbs

**FREIGHT CLASS** = 77.5



NEMA 5-15P

## SPECIFICATIONS

### ★ Design

Heavy duty all purpose mixers use a powerful, planetary mixing action to thoroughly blend mix and aerate all ingredients with consistent results.

### ★ Stainless Steel Bowl Guard

Safety interlock prevents operation when front portion of guard is open.

### ★ Three Fixed speeds

Consistency, flexibility and reliability. Excellent for incorporating, blending and mixing ingredients. Provides consistent results throughout mixing.

### ★ Gear Transmission

Ensures consistent performance and minimum downtime under heavy loads.

### ★ 0.5 H.P. Motor

Meets the most demanding operations.

### ★ Electronic Digital Timer

Provides accurate and consistent results while indicating the length of mixing (in minutes) on digital timer.

### ★ Warranty

2 year parts and 1 year labor, exclusive of wear items

Due to our continued product improvement and striving for engineering excellence, specifications are subject to change without notice



3560 NW 56th Street  
Fort Lauderdale, FL, United States 33309  
Telephone: 786.600.4687 / Toll Free: 844.218.8477  
Fax: 786.661.4100

5659 Royalmount Ave.  
Montreal, QC, Canada H4P 2P9  
Telephone: 514.737.9701 / Toll Free: 888.275.4538  
Fax: 514.342.3854 / Toll Free: 877.453.8832  
sales@mvpgroupcorp.com / mvpgroupcorp.com