



COMBI OVEN-STEAMER Options & Accessories

Project _____
 Item _____
 Quantity _____
 FCSI Section _____
 Approval _____
 Date _____

Stacking Stand for mounting:

- one CONVOTHERM 6.20 Combi Oven* on top of
- one Convection Oven*



CBST62045CA



CBST62045CA

Shown with
 one CONVOTHERM 6.20 Combi Oven*
 and one Convection Oven*
 (*purchased separately)

Models:

Part #	Description
CBST62045	Assembly Bridge Stand MCO/C4 with Legs (PN 11000115594)
CBST62045CA	Assembly Bridge Stand MCO/C4 with Casters (PN 11000115593)

* CONVOTHERM Combi Oven and Convection Oven must be purchased separately.

NOTE: The Convection Oven manufacturer and installers are responsible for proper venting and if needed installing a flue diverter for the Convection Oven (not supplied by Convotherm).

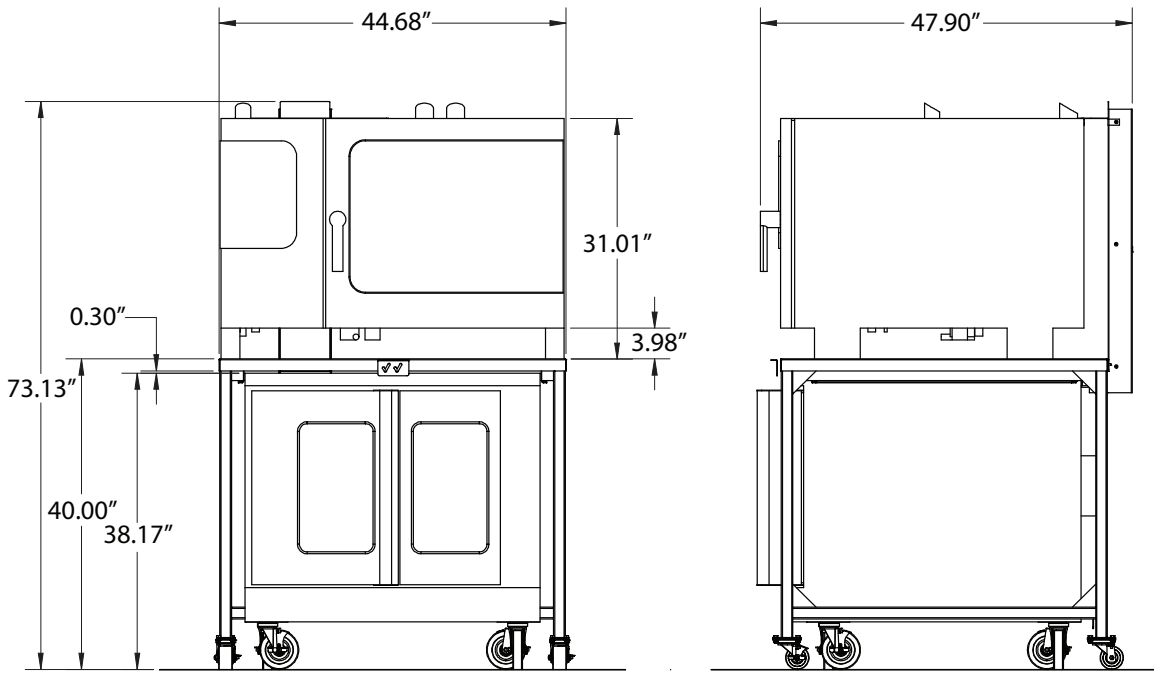
Convotherm Standard Features:

- Stand frame constructed of 1 1/2" thick wall, square tubing
- Solid top for directing heat away from Combi
- Crossbar supported on three sides
- Corner gussets for additional rigidity
- 16 gauge stainless steel table top
- Four, one (1) inch high locator pins for mounting 6.20 combi on stand
- Stand restraining device (CBST62045CA only)
- Four level adjustable flanged feet (CBST62045 only)
- Four heavy duty 3" diameter swivel casters, with brakes (CBST62045CA only)
- Service friendly and easy to clean
- UL Sanitation approved, according to NSF2 standards

NOTES:

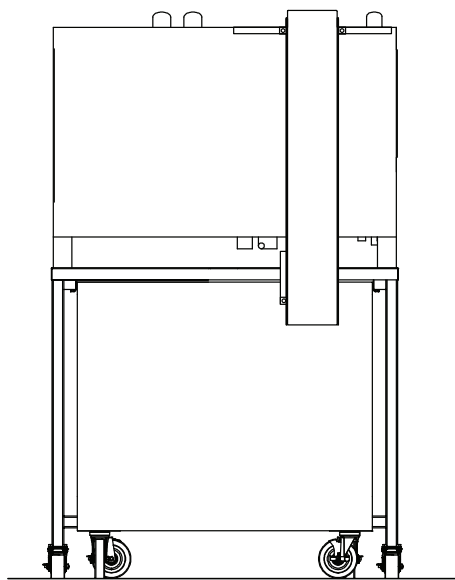
- The stands are designed to accommodate full or half size gas or electric Convection Ovens
- The stands are built to support all Convotherm-4 6.20 Combi models
- The Convection Oven must always be installed on the bottom

Stacking Bridge Stand



FRONT VIEW

SIDE VIEW



REAR VIEW