



ELECTRIC COUNTER TILTING KETTLE

Job _____
Item# _____



| MODEL | CAPACITIES | | |
|---------|------------|---------|--------|
| | kW | US Gal. | Liters |
| EC-6TW | 7.5 | 6 | 23 |
| EC-10TW | 12 | 10 | 38 |
| EC-12TW | 12 | 12 | 45 |

SPECIFICATIONS:

Shall be a Crown Model _____, self-generating, electric, tilting kettle. A double wall kettle interior shall form a steam jacket around the lower 2/3 of the kettle. The jacket enclosure shall contain distilled water which is factory sealed. The bottom of the kettle shall be of hemispherical design for superior heat circulation.

The mounting base shall include the kettle mounting lugs concealed inside a rectangular enclosure and a stainless steel mechanism housing.

A removable operating handle with heat proof knob shall be mounted on the right.

Construction shall be of all welded satin finish stainless steel, type 304. The interior cooking surface shall be of type 316 stainless steel for added resistance to corrosion. The kettle shall be ASME constructed, National Board Registered, c-CSA-us and NSF certified.

The controls shall be water resistant, integrally mounted and shall include a power switch, solid state thermostat, pilot light, vacuum/pressure gauge, safety valve, low water light, and low water shut off.

The kettle shall operate in a temperature range of 165°F to 285°F (74°C to 140°C) at a maximum pressure of 50 psi (345 kPa). The kettle shall come standard with removable elements.

OPERATION SHALL BE BY:

Electrically, self-generating closed steam system equipped for operation on:

The kettle shall be equipped for operation on:

- 208 VAC, 1 or 3 phase, 50/60 Hz*
- 240 VAC, 1 or 3 phase, 50/60 Hz*

* Phase is field convertible.

STANDARD FEATURES:

- Low water level cut-off and indicator
- Pressure gauge
- Temperature control
- Safety relief valve
- Type 316 stainless steel liner
- 2/3 steam jacket
- 50 PSI (345 kPa) high pressure operation for higher cooking temperature
- Integrally mounted controls
- Removable elements
- "Clean lock" to hold kettle in cooking position or 105° for ease of cleaning
- Stainless steel console and trunnion
- Water resistant construction
- Faucet bracket

OPTIONAL ITEMS AT EXTRA COST:

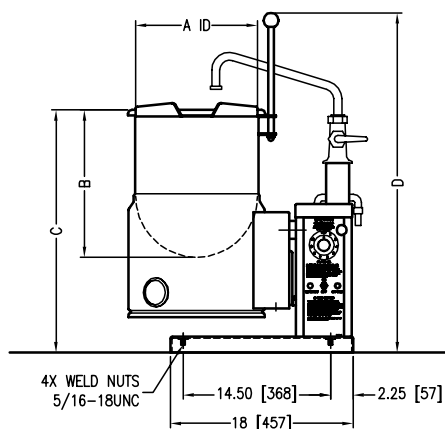
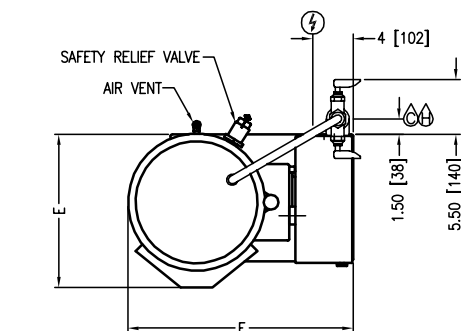
- 220 VAC, 1 or 3 phase, 50/60 Hz
- 380 VAC, 3 phase, 50/60 Hz
- 415 VAC, 3 phase, 50/60 Hz
- 480 VAC, 3 phase, 50/60 Hz
- 600 VAC, 3 phase, 50/60 Hz
- 415/240 VAC, 3 phase, 4 wire, 50/60 Hz
- 380/220 VAC, 3 phase, 4 wire, 50/60 Hz
- Etched gallon markings (GM-6/10/12)
- Etched liter markings (LM-23/38/45)
- Correctional Package

ACCESSORIES:

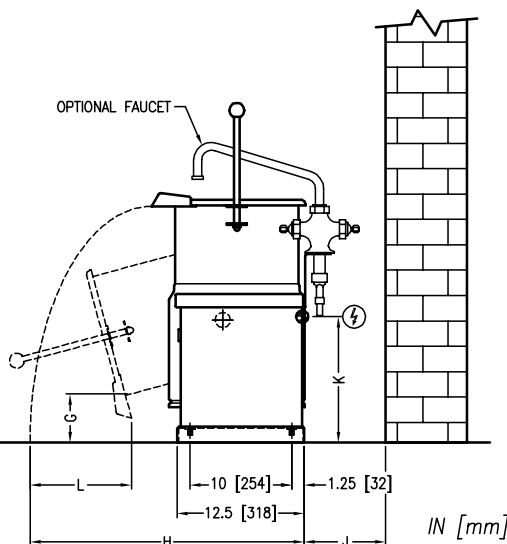
- One piece lift-off stainless steel cover (C-6/10/12)
- Stainless steel wire basket (SSB-6/10/12)
- 18" high floor stand c/w sliding drain pan and stationary drain
- Graduated measuring strip (CMS-6/10/12)
- Single pantry faucet with swing spout (SF-12)
- Double pantry faucet with swing spout (DF-12)
- Pour lip strainer (TKS-6/10/12)



Models: EC-6TW EC-10TW EC-12TW



| Model | Shipping Weight | Minimum Clearance | | |
|---------|------------------|-------------------|---------------|-----------------|
| | | Right Side | Left Side | Back |
| EC-6TW | 120 lbs. [54 kg] | 0" | 3" (76 mm) | 2.5" (64 mm) |
| EC-10TW | 159 lbs. [72 kg] | 0" | 3" (76 mm) | 2" (51 mm) |
| EC-12TW | 190 lbs. [86 kg] | 0" | 3" (76 mm) | 2" (51 mm) |



DIMENSIONS

| Model | Capacity | Units | A | B | C | D | E | F | G | H | J | K | L |
|---------|-------------------------|------------|--------------|-----------------|--------------|-----------------|-----------------|-----------------|----------------|--------------|----------------|-----------------|-----------------|
| EC-6TW | 6 gallons 23 liters | in (mm) | 12" (305) | 14.38" (365) | 24" (610) | 33.5" (851) | 15.25" (387) | 22.25" (565) | 4.50" (114) | 27" (686) | 4.25" (108) | 12.38" (314) | 10" (254) |
| EC-10TW | 10 gallons 38 liters | in (mm) | 16" (406) | 15" (381) | 26" (660) | 34.88" (886) | 17.25" (438) | 26.25" (667) | 4.62" (117) | 28" (711) | 6.12" (156) | 14.75" (375) | 12.75" (324) |
| EC-12TW | 12 gallons 45 liters | in (mm) | 16" (406) | 17" (432) | 28" (711) | 36.88" (937) | 17.25" (438) | 26.25" (667) | 4.12" (105) | 30" (762) | 6.12" (156) | 14.75" (375) | 12.75" (324) |

ELECTRICAL CHARACTERISTICS

| MODEL | PHASE | kW | AMPS PER LINE | | | | | | |
|------------|-------|------|---------------|------|------|------|------|------|------|
| | | | 208V | 220V | 240V | 380V | 415V | 480V | 600V |
| EC-6TW | 1 | 7.5 | 36.0 | 34.1 | 31.3 | - | - | - | - |
| | 3 | 7.5 | 20.8 | 19.7 | 18.1 | 11.4 | 10.4 | 9.0 | 7.2 |
| EC-10/12TW | 1 | 12.0 | 57.6 | 54.6 | 50.0 | - | - | - | - |
| | 3 | 12.0 | 33.3 | 31.5 | 28.9 | 18.3 | 16.7 | 14.5 | 11.5 |

SERVICE CONNECTIONS

- ELECTRICAL CONNECTIONS: to be specified on data plate
- COLD WATER: 3/8" O.D. tubing to faucet (OPTIONAL)
- HOT WATER: 3/8" O.D. tubing to faucet (OPTIONAL)

**INTENDED FOR COMMERCIAL USE ONLY.
NOT FOR HOUSEHOLD USE.**



70 Oakdale Road, Toronto ON, Canada M3N IV9
(919) 762-1000 www.crownsteamgroup.com