

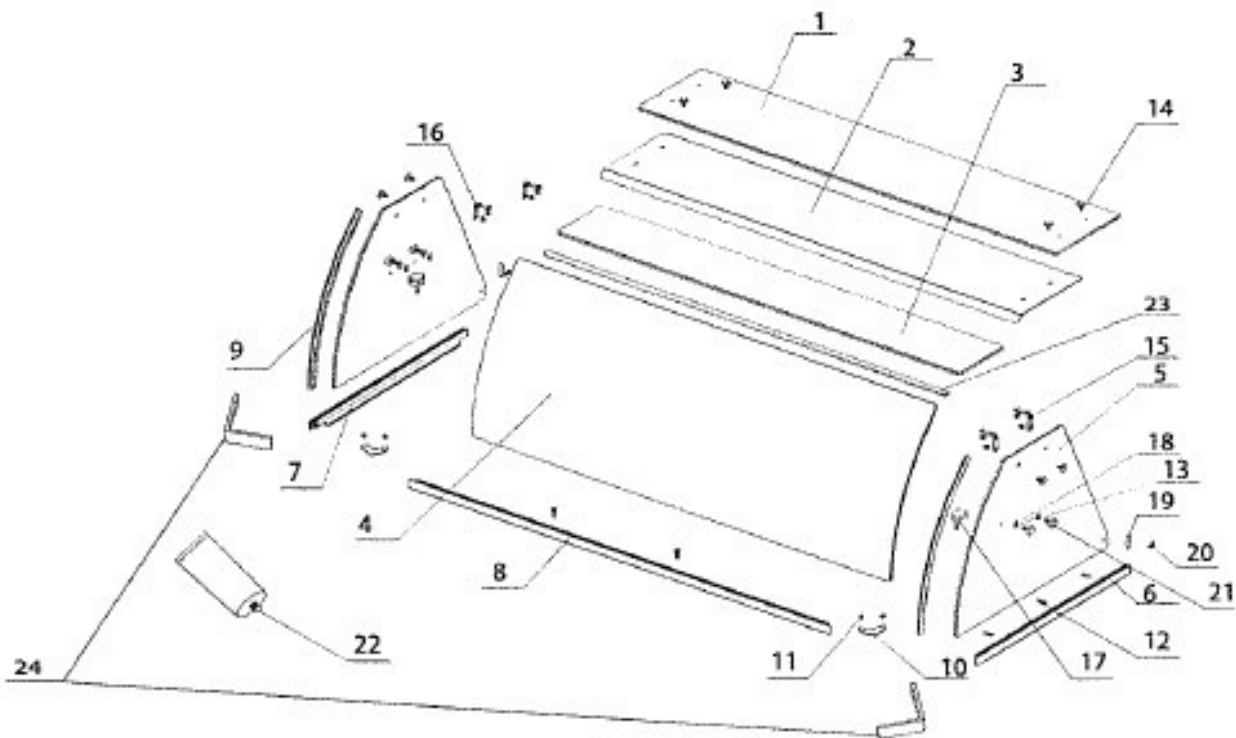


FOOD GUARD INSTALLATION

PLEASE READ INSTRUCTIONS COMPLETELY BEFORE ASSEMBLY



Exploded Drawing

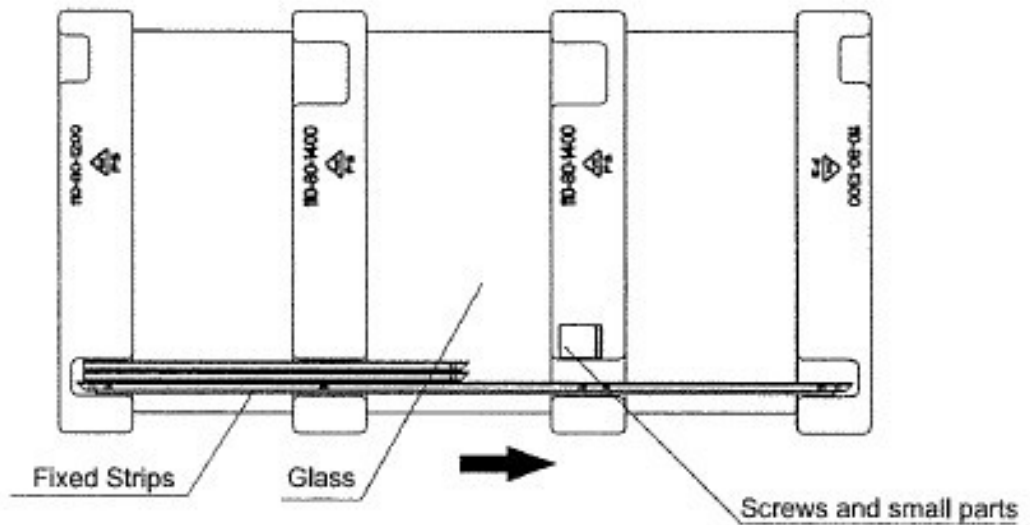


CODE	DESCRIPTION	QTY	CODE	DESCRIPTION	QTY
1	TOP Glass	1	13	Washer	4
2	Stainless Steel Upper Plates	1	14	Flat Head Bolt M6X16	8+1
3	Upper Mid Glass	1	15	Rectangular Support	4
4	Front Glass	1	16	Cap Nut M6	8+1
5	Side Glass	2	17	Glass Clamp	2
6	Right Fixed Strip	1	18	Flat Washer	4
7	Left Fixed Strip	1	19	Fixed Bracket	2
8	Front Fixed Strip	1	20	Screw ST4.8X16	2
9	Seal	2	21	Screw M5X16	4
10	Rectangular Connector	2	22	Glass Cement	1
11	Bolt M5X5	4	23	Stainless steel protective strip	1
12	Countersunk Tapping Screw ST3.5x13	7+2	24	Aluminum alloy corner guard	2

CANOPY INSTALLATION SEQUENCE

1. Check and prepare Parts and Tools
2. Assemble the Fixed Strips
3. Install Fixed Strips
4. Applying Glass Cement
5. Pre-installed On The Side Of The Glass
6. Front Glass Installation
7. Left and Right Glass Installation
8. Stainless Steel Upper Plates And TOP Glass Installation
9. Upper Mid Glass Installation
10. Dipping Cabinet Preparation

Installation Guidelines - Step 1



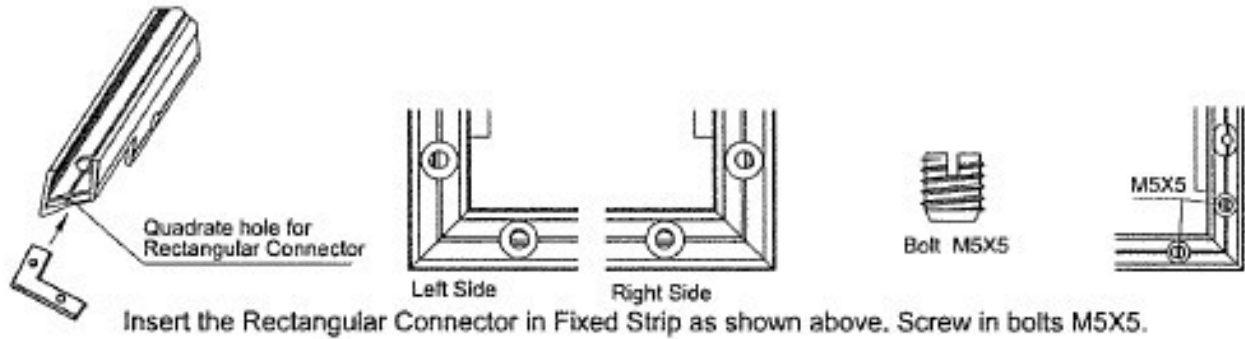
CHECK AND PREPARE PARTS AND TOOLS

1. Open the carton box, take out foam package and remove foam according to the direction arrow.
2. Check parts and quantities as listed in the exploded drawings.
3. Tool preparation: Utility knife, Philips screw driver, Flat head screw driver, Electric drill w/3.2 bit.
4. Store all empty packages in the carton in case they need to be reused.

Note: You must power off the freezer and remove any food inside before installation of canopy.



Installation Guidelines - Step 2



ASSEMBLE THE FIXED STRIPS

1. Slide one side of the Rectangular Connector all the way into the left end of the Front Fixed Strip slot.
2. Slide the other side of the Rectangular Connector all the way into the side slot of the Left Fixed Strip.
3. Securely screw bolt M5X5 into the corresponding holes in the two strips.
4. Repeat Steps 1 - 3 for the right side of the Front Fixed Strip and the Right Fixed Strip.





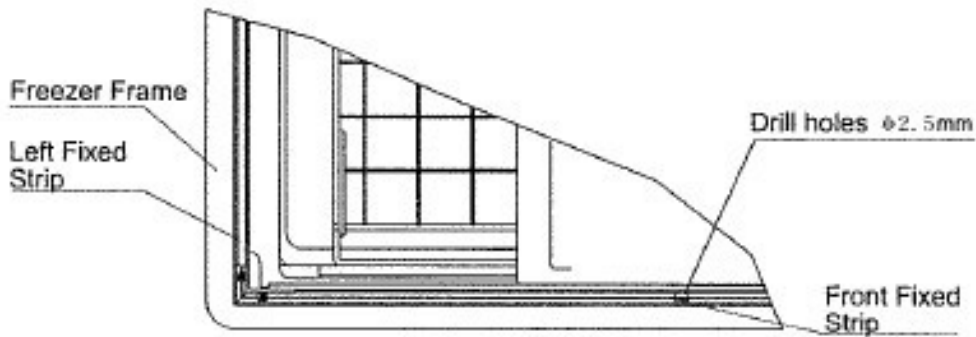
Repeat the above
on both corners

Installation Guidelines - Step 3

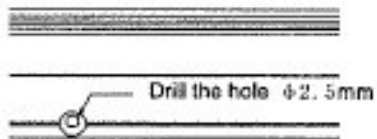
INSTALL FIXED STRIPS



1. Place the sub-assembly on the top frame of the freezer and close to the inside edge.

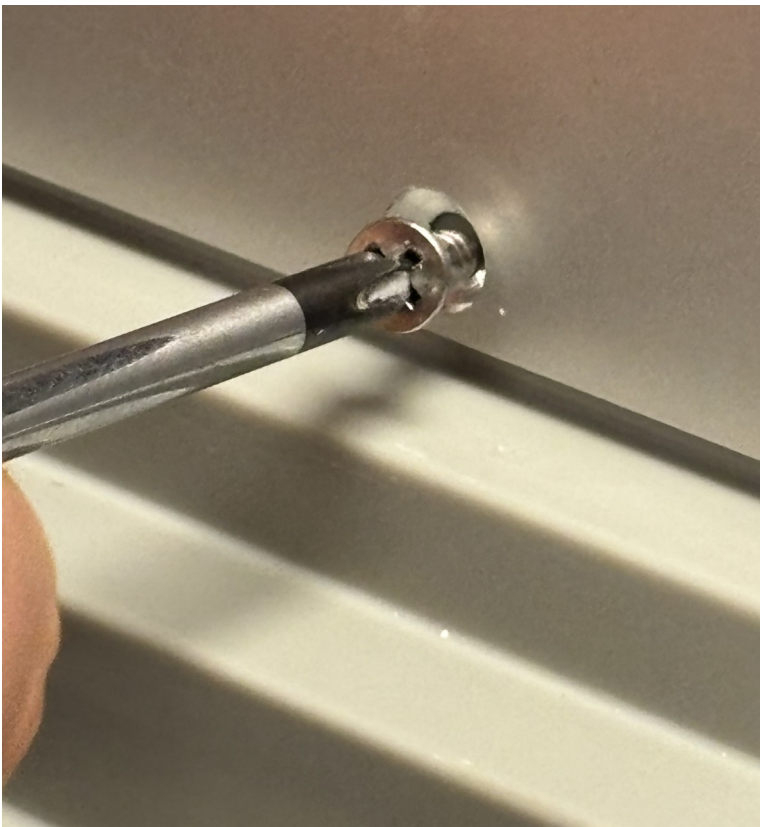


2. Drill the hole and secure the left side of the Front Fixed Strip with Screw 3.5X13



3. Drill the hole and secure the Left and Right Fixed Strips with Screw 3.5X13

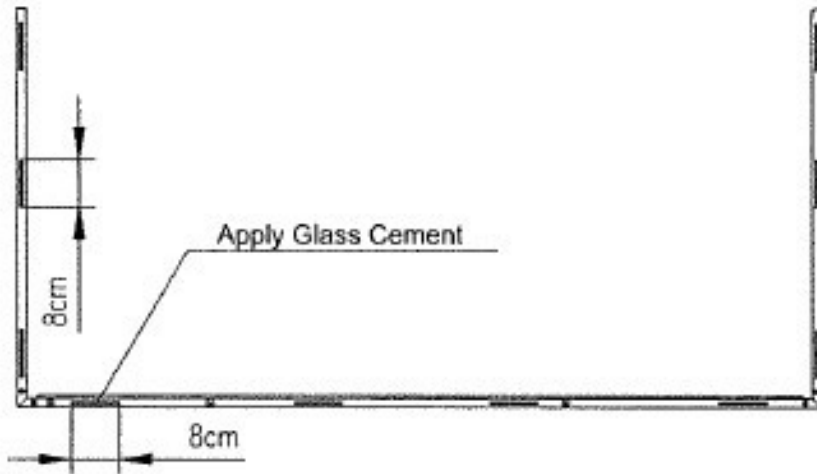




Repeat for all screws to attach the frame to the freezer. Make sure the open edge of the frame is at the back of the freezer.



Installation Guidelines - Step 4



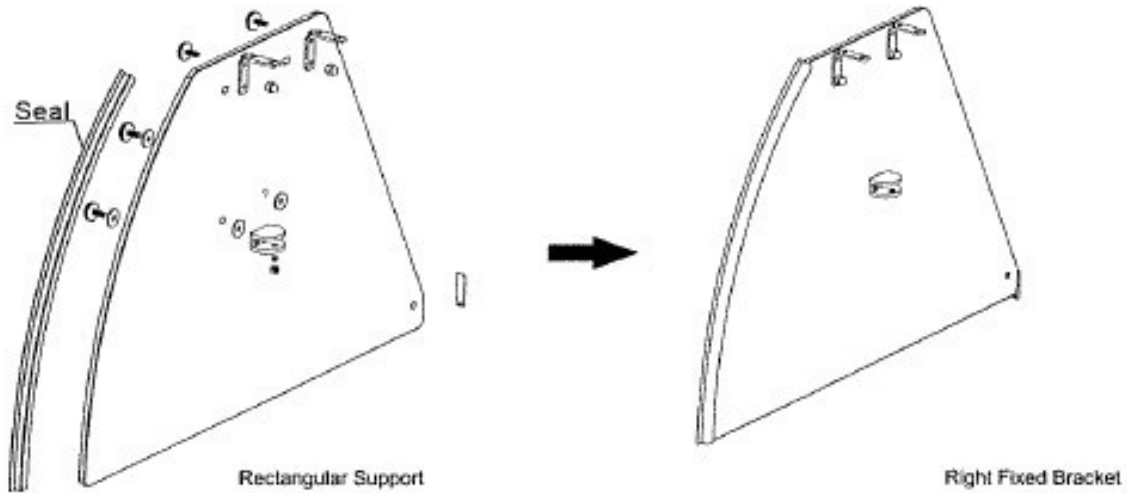
1. Apply Glass Cement in the ten (10) slots of all three (3) Fixed Strips.

Note: Keep unused Glass Cement in a safe place and out of the reach of children.



Installation Guidelines - Step 5

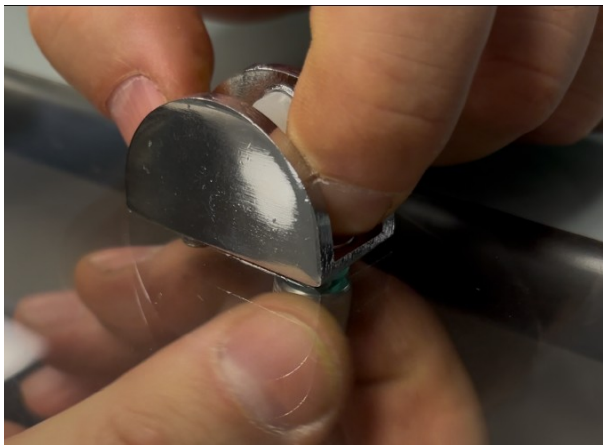
Pre-installed On The Side Of The Glass



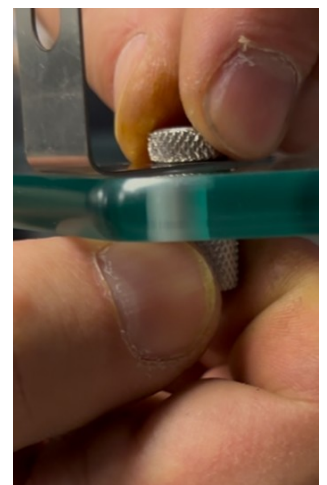
As Shown In Figure

1. Hide the Glass Clamp, Rectangular Support, Flat Head Bolt M6x16, Glass Cement, Right and Left Fixed Bracket, Seal.

2. Pre-installed the Parts as shown in figure.

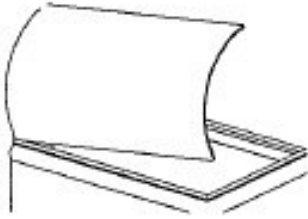


Both left and right
are installed the
same but in reverse

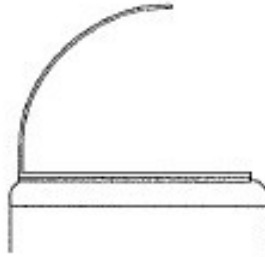


Installation Guidelines - Step 6

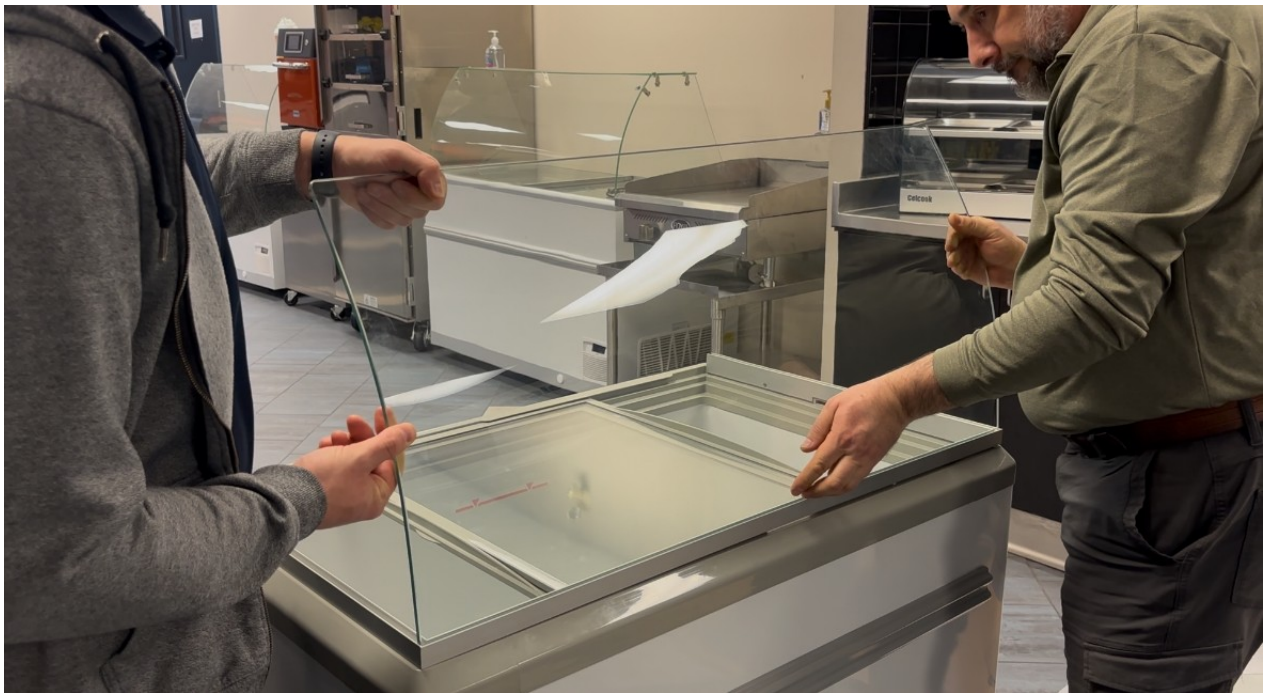
FRONT GLASS INSTALLATION



1. Insert the Front Glass into the corresponding slot of the Front Fixed Strip.



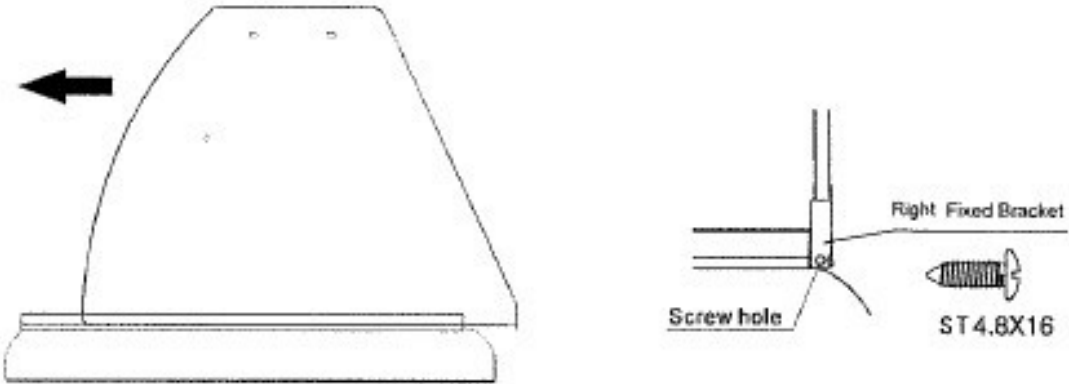
2. Keep the Front Glass in an upright position.



This is a 2 person job to keep the glass pieces upright while they are being inserted and then joined together.

Installation Guidelines - Step 7

Left and Right Glass Installation

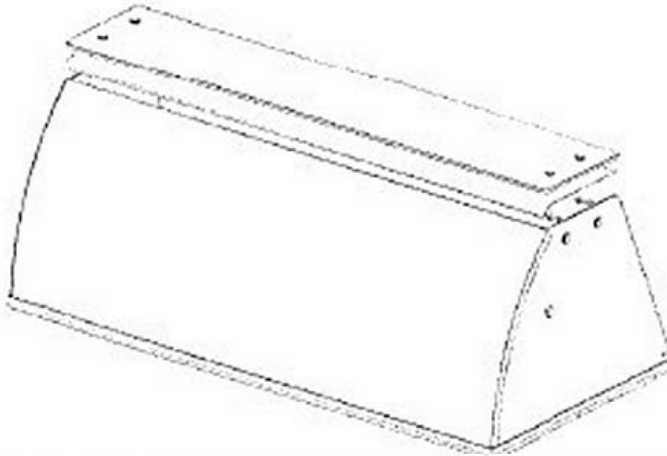


- 1. Insert the Right Side Glass into the slot of the Right Side Fixed Strip.
- 2. Fixed the Right Fixed Bracket to the Right Fixed Strip by Screw 4.8X16
- 3. Repeat Steps 1 - 2 for installation of the Left Side Glass.



Installation Guidelines - Step 8

TOP Glass and Stainless Steel Upper Plates Installation.



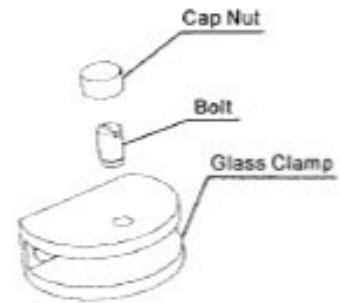
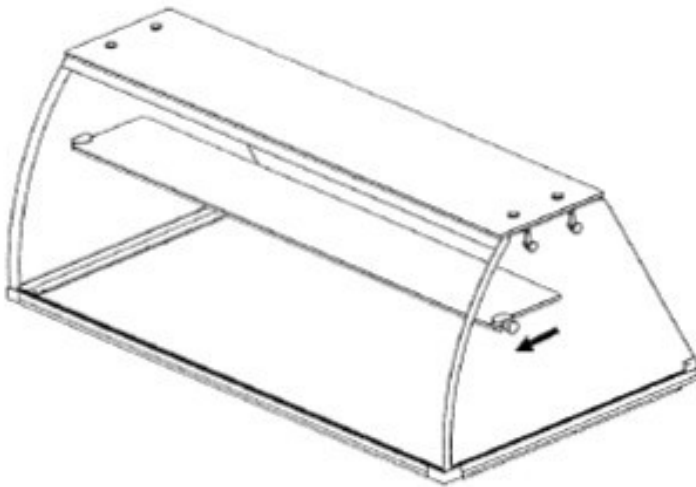
As Shown In Figure with **the strip of gasket in the centre of the front curved glass**

1. Put the Stainless Steel Upper Plates on side glass.
2. Put the TOP Glass on Stainless Steel Plates.
3. Put the silvery plastic strip into the stainless steel top.
4. Fixed the TOP Glass and Stainless Steel Upper Plates to Rectangular Support by Fla: Head Bolt M6x1



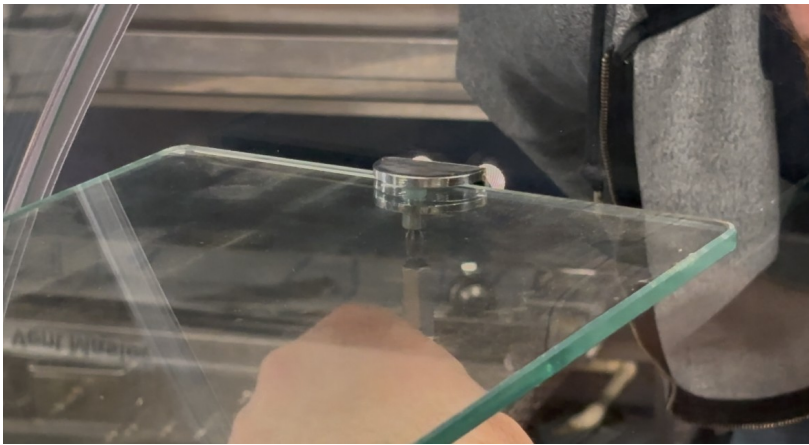
Installation Guidelines - Step 9

Upper Mid Glass Installation



As Shown In Figure

1. Loosen the Bolt on the Clip For Glass.
2. Held the Upper Mid glass between the jaws of Clip.
3. Tighten the Bolt and cap Nut.
4. Fix the silvery angolo on the two front corners of canopy.



Installation Guidelines - Step 10

DIPPING CABINET PREPARATION

1. The freezer with the glass canopy attached should sit without being moved for 24-hours to allow the Glass Cement to cure.
2. After the 24 hour curing, the equipment can be moved and used normally. It must also now be cleaned.
3. Please read the Freezer Manual before using the cabinet.

Canopy Installation diagram

