

# GF Sentry Flame Failure Series Range Match Broiler

Project \_\_\_\_\_  
Item \_\_\_\_\_  
Quantity \_\_\_\_\_  
CSI Section 11400  
Approved \_\_\_\_\_  
Date \_\_\_\_\_

## Models

- GF18-BRL
- GF24-BRL
- GF30-BRL
- GF36-BRL



Model GF24-BRL

## Standard Features

- Stainless steel front, sides, front rail, hopper & side splash guards.
- Stainless steel low profile back-guard
- Counter mount or range matched to Garland GF series ranges (when combined with optional stand or cabinet base)
- Exclusive lift off hopper top
- Removable broiling grates 23" (584mm) deep in 6" (152mm) wide sections.
- Dual-sided cast iron broiler racks, 1/2" (13mm) rounded bar (broad) or diamond patterns (fine) on opposite sides in 6" (152mm) wide sections.
- Heavy duty ceramic briquettes
- 4" (102mm) sanitary legs for counter mount installations
- Flame failure protection Hi-Lo valves • Piezo Spark Pilot Ignition
- 3/4" N.P.T. rear gas connection
- Gas pressure regulator supplied with North American units.
- 15,000 BTU cast iron burners for every 6" (152mm) of broiler space.

## Options & Accessories

- Diamond branding rack in lieu of standard rack
- Stainless steel splatter guard 18" (457mm) to 48" (1219mm), specify width
- Nickel plated wire type holding shelves which attach to spatterguards, available in 18" (457mm), 24" (610 mm) & 36" (914mm)

Note: Stands and floor bases available see form BRL-STD

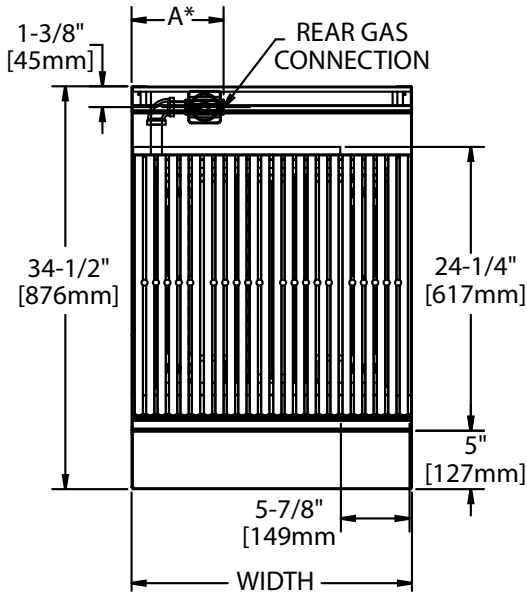
## Specifications

Range match Broilers available in four widths: 18" (457mm), 24" (610mm), 30" (762mm), and 36" (914mm). Designed to match GF sentry series ranges. Standard finish stainless steel front, sides, and backguard. Exclusive lift off stainless steel grease hopper. Dual sided cast iron broiler racks, 1/2" (13mm) rounded bar (broad) or diamond patterns (fine) on opposite sides in 6" (152mm) wide sections. In lieu of standard broiler racks dual diamond pattern racks are available. Simple set Hi-Lo valves are located away from heat and protected. 15,000 BTU cast iron burners for every 6" (152mm) of broiling width, natural or propane gas. Flame protection system with Piezo ignition. Optional cabinet BRL-CAB or open frame stand BRL-STD, see specification form BRL-STD.



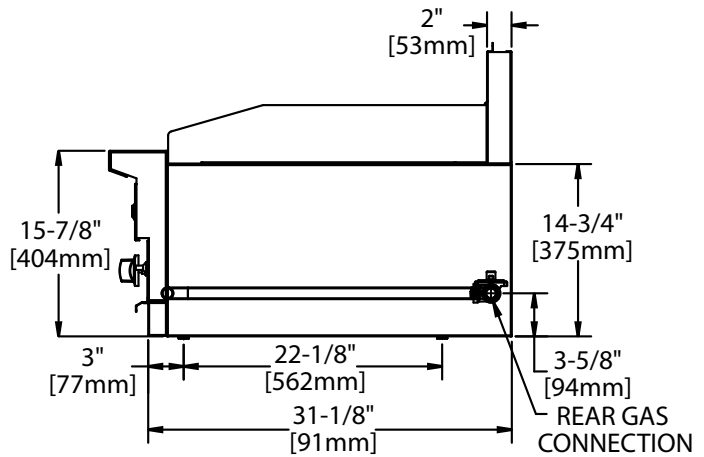
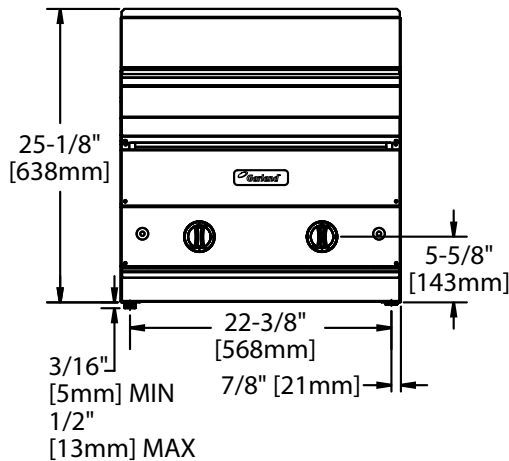
GF Sentry Flame Failure Series Range Match Broiler

# GF Sentry Flame Failure Series Range Match Broiler



Gas input ratings shown here are for installations up to 2,000 ft. (610m) above seal level. Specify altitudes over 2,000 ft.

Garland/U.S. Range products are not approved or authorized for home or residential use, but are intended for commercial applications only. Garland / U.S. Range will not provide service, warranty, maintenance or support of any kind other than in commercial applications. Please specify gas type when ordering.



| Model    | Exterior Dimensions |             |                 | Shipping |         | Total Input Rating (Natural Gas) |      |
|----------|---------------------|-------------|-----------------|----------|---------|----------------------------------|------|
|          | Height w/O Legs     | Width       | Depth           | Cu Ft    | lbs/Kg  | BTU                              | kW   |
| GF18-BRL | 25-1/8" (638mm)     | 18" (457mm) | 34-1/2" (876mm) | 21       | 190/86  | 45,000                           | 13.2 |
| GF24-BRL | 25-1/8" (638mm)     | 24" (610mm) | 34-1/2" (876mm) | 21       | 240/109 | 60,000                           | 17.6 |
| GF30-BRL | 25-1/8" (638mm)     | 30" (762mm) | 34-1/2" (876mm) | 29.5     | 290/131 | 75,000                           | 22   |
| GF36-BRL | 25-1/8" (638mm)     | 36" (914mm) | 34-1/2" (876mm) | 29.5     | 340/154 | 90,000                           | 26.4 |

|                     |  |            |                             |                |
|---------------------|--|------------|-----------------------------|----------------|
| Installation Notes: |  |            |                             |                |
| Gas Inlet           | Clearances Non-Combustible Surfaces Only |            | Manifold Operating Pressure |                |
| 3/4" NPT            | Sides                                    | Rear       | Natural                     | Propane        |
|                     | 6" (152mm)                               | 6" (152mm) | 4.5"WC (10mbar)             | 10"WC (25mbar) |

Welbilt reserves the right to make changes to the design or specifications without prior notice.

**Garland Commercial Ranges Ltd.**  
 1177 Kamato Road,  
 Mississauga, Ontario  
 L4W 1X4 CANADA

**General Inquires 1-905-624-0260**  
 USA Sales, Parts and Service 1-800-424-2411  
 Canadian Sales 1-888-442-7526  
 Canada or USA Parts/Service 1-800-427-6668

[www.garland-group.com](http://www.garland-group.com)  
 6939  
 12/18