



Project _____

Item # _____

Quantity _____

Glo-Ray® Built-In Rectangular Heated Shelves with Recessed Top

Models: GRSB-24-F, -I, -O; -30-F, -I, -O; -36-F, -I, -O; -42-F, -I, -O; -48-F, -I, -O; -54-I; -60-F, -I, -O; -66-I; -72-F, -I, -O

Let Hatco add heat to your serving surface with the Glo-Ray® Rectangular Built-In Heated Shelf with Recessed Top. This .5" (13 mm) recessed top foodwarmer has a hardcoated aluminum surface and blanket-type element for uniform heat to extend your food holding time. Fiberglass insulation keeps heat at the holding surface while a built-in adjustable thermostat controls surface temperature.

Standard features

- Uniform heat distribution with hardcoated aluminum surface
- GRSB models available in widths from 24" to 72" (610-1829 mm) and depths of 15.5", 19.5" or 30" (394, 495 or 762 mm) and blanket-type element
- 36" (914 mm) flexible conduit channels power lines from the shelf to a control box
- Standard control includes thermostat, lighted rocker switch and mounting brackets
- Universal brackets and 36" (914 mm) flexible conduit provide for semi-remote mounting of Control Box
- Thermostatically-controlled heated base
- The Built-in Heated Shelf has a .75" (19 mm) flanged edge that allows the unit to fit into a countertop opening
- Recommended for use in metallic counters. For other surfaces, verify that the material is suitable for temperature up to 200°F (93°C)♦

♦ Hatco is not responsible for counter damage caused by heat from the warmer.



GRSB-24-I



GRSB-72-I with Accessory Channel Dividers (vertical, with notches) and Stainless Steel Rods (horizontal)

Options (available at time of purchase only)

Designer Colors for Flush Mount Control Bezel Box – Stainless Steel is standard – Non-standard colors are non-returnable

- Warm Red Black Gray Granite White Granite
- Navy Blue Hunter Green Antique Copper

Control Boxes - with Lighted Power Rocker Switch, cord and plug

- Flush Mount ITC Control Box
- Flush Mount Thermostatic Control Box
- Small Flush Mount ITC Control Box
- Small Flush Mount Thermostatic Control Box

Conduit in lieu of standard 3' (914 mm) (Flush Mount ITC Control Box only)

- 6' (1829 mm) conduit 10' (3048 mm) conduit

Accessories

Channel Dividers - notched - sold in pairs

- GRSB-24 models GRSB-30 models GRSB-36 models
- GRSB-42 models GRSB-48 models GRSB-54 models
- GRSB-60 models GRSB-66 models GRSB-72 models

Stainless Steel Rods - sold individually

- F depth -15.5" (394 mm) I depth -19.5" (495 mm)
- O depth - 30" (762 mm)

Note for Built-in Heated Shelves with overhead Strip Heaters:

For any size GRSB, the next larger size GRA or GR2A Strip Heater will fit over the top. For example, a GRSB-30 will require a GRA-36 or GR2A-36. The GRA will have a tight fit to the frame of the base. The GR2A will have approximately a 4" (102 mm) space.

IFS anti-microbial coatings use naturally-occurring, environmentally sustainable, silver ions to help inhibit the growth of microbes on the powder coated surface. See www.hatcocorp.com/antimicrobial-paint for more information.

For operation, location and safety information, please refer to the Installation and Operating Manual.



HATCO CORPORATION | P.O. Box 340500 Milwaukee, WI 53234-0500 U.S.A. | (800) 558-0607 | (414) 671-6350



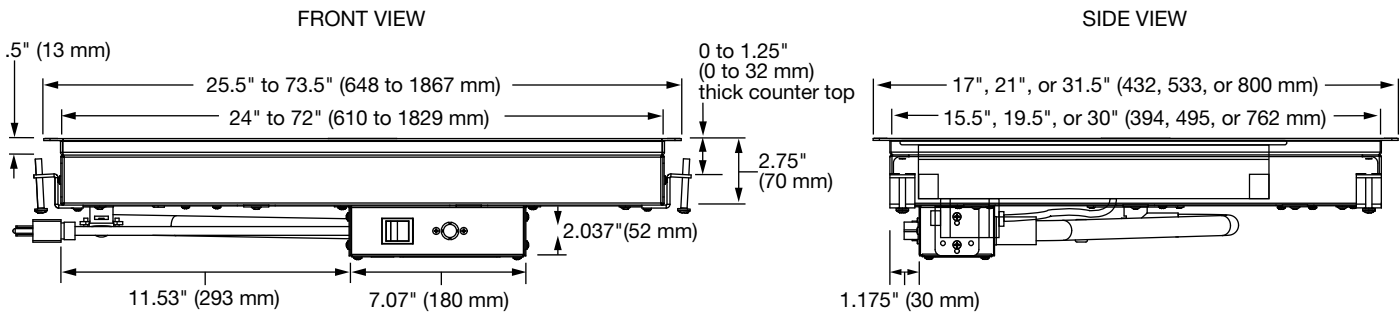
www.hatcocorp.com | support@hatcocorp.com | [Find a Hatco Rep](#) | [Image Library](#) | [Document Library](#) | [Chat](#)



Glo-Ray® Recessed Built-In Heated Shelves

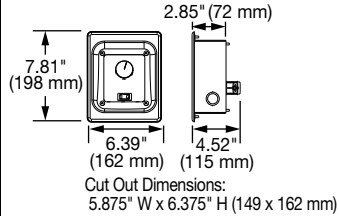
Models: GRSB-24-F, -I, -O; -30-F, -I, -O; -36-F, -I, -O; -42-F, -I, -O; -48-F, -I, -O; -54-I; -60-F, -I, -O; -66-I; -72-F, -I, -O

GRSB

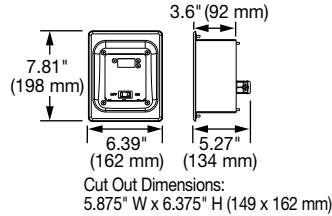


OPTIONAL CONTROL BOXES

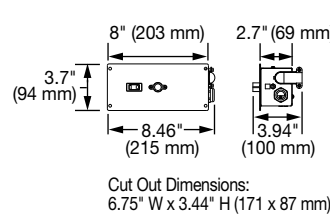
GRSB-FLUSH-TSTAT
Flush Mount *Thermostatic*



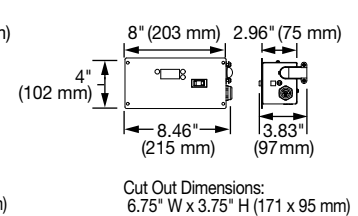
GRSB-FLUSH-ITC
Flush Mount *Electronic*



GRSB-SMFLUSH-TSTAT
Small Flush Mount *Thermostatic*



GRSB-SMFLUSH-ITC
Small Flush Mount *Electronic*



GRSB Built-In Countertop Cut-Out Dimensions

Model	Minimum Width	Maximum Width	Minimum Depth	Maximum Depth
GRSB-24-F	24.5" (622 mm)	24.75" (629 mm)	16" (406 mm)	16.25" (413 mm)
GRSB-24-I	24.5" (622 mm)	24.75" (629 mm)	20" (508 mm)	20.25" (514 mm)
GRSB-24-O	24.5" (622 mm)	24.75" (629 mm)	30.5" (775 mm)	30.75" (781 mm)
GRSB-30-F	30.5" (775 mm)	30.75" (781 mm)	16" (406 mm)	16.25" (413 mm)
GRSB-30-I	30.5" (775 mm)	30.75" (781 mm)	20" (508 mm)	20.25" (514 mm)
GRSB-30-O	30.5" (775 mm)	30.75" (781 mm)	30.5" (775 mm)	30.75" (781 mm)
GRSB-36-F	36.5" (927 mm)	36.75" (933 mm)	16" (406 mm)	16.25" (413 mm)
GRSB-36-I	36.5" (927 mm)	36.75" (933 mm)	20" (508 mm)	20.25" (514 mm)
GRSB-36-O	36.5" (927 mm)	36.75" (933 mm)	30.5" (775 mm)	30.75" (781 mm)
GRSB-42-F	42.5" (1080 mm)	42.75" (1086 mm)	16" (406 mm)	16.25" (413 mm)
GRSB-42-I	42.5" (1080 mm)	42.75" (1086 mm)	20" (508 mm)	20.25" (514 mm)
GRSB-42-O	42.5" (1080 mm)	42.75" (1086 mm)	30.5" (775 mm)	30.75" (781 mm)
GRSB-48-F	48.5" (1232 mm)	48.75" (1238 mm)	16" (406 mm)	16.25" (413 mm)
GRSB-48-I	48.5" (1232 mm)	48.75" (1238 mm)	20" (508 mm)	20.25" (514 mm)
GRSB-48-O	48.5" (1232 mm)	48.75" (1238 mm)	30.5" (775 mm)	30.75" (781 mm)
GRSB-54-I	54.5" (1384 mm)	54.75" (1391 mm)	20" (508 mm)	20.25" (514 mm)
GRSB-60-F	60.5" (1537 mm)	60.75" (1543 mm)	16" (406 mm)	16.25" (413 mm)
GRSB-60-I	60.5" (1537 mm)	60.75" (1543 mm)	20" (508 mm)	20.25" (514 mm)
GRSB-60-O	60.5" (1537 mm)	60.75" (1543 mm)	30.5" (775 mm)	30.75" (781 mm)
GRSB-66-I	66.5" (1689 mm)	66.75" (1695 mm)	20" (508 mm)	20.25" (514 mm)
GRSB-72-F	72.5" (1842 mm)	72.75" (1848 mm)	16" (406 mm)	16.25" (413 mm)
GRSB-72-I	72.5" (1842 mm)	72.75" (1848 mm)	20" (508 mm)	20.25" (514 mm)
GRSB-72-O	72.5" (1842 mm)	72.75" (1848 mm)	30.5" (775 mm)	30.75" (781 mm)





Glo-Ray® Recessed Built-In Heated Shelves

Models: GRSB-24-F, -I, -O; -30-F, -I, -O; -36-F, -I, -O; -42-F, -I, -O; -48-F, -I, -O; -54-I; -60-F, -I, -O; -66-I; -72-F, -I, -O

SPECIFICATIONS

Built-In Rectangular Heated Shelves with Recessed Top

The shaded areas contain electrical information for International models

Model [^]	Dimensions (W x D x H)	Usable Shelf (W x D)	Volts	Phase	Watts	Amps	Plug	Ship Weight*
GRSB-24-F	25.5" x 17" x 2.875" (648 x 432 x 73 mm)	24" x 15.5" (610 x 394 mm)	120	Single	420	3.5	NEMA 5-15P	25 lbs. (11 kg)
			220		384	1.7	CEE 7/7 Schuko	25 lbs. (11 kg)
			240		458	1.9	BS-1363	
			220-230 (CE)		384-420	1.7-1.8	CEE 7/7 Schuko	
			230-240 (CE)		420-458	1.8-1.9	BS-1363	
GRSB-24-I	25.5" x 21" x 2.875" (648 x 533 x 73 mm)	24" x 19.5" (610 x 495 mm)	100	Single	550	5.5	NEMA 5-15P	28 lbs. (13 kg)
			120		550	4.6	NEMA 5-15P	28 lbs. (13 kg)
			220		550	2.5	CEE 7/7 Schuko	28 lbs. (13 kg)
			240		550	2.3	BS-1363	
			220-230 (CE)		550-601	2.5-2.6	CEE 7/7 Schuko	
			230-240 (CE)		505-550	2.2-2.3	BS-1363	
GRSB-24-O	25.5" x 31.5" x 2.875" (648 x 800 x 73 mm)	24" x 30" (610 x 762 mm)	120	Single	790	6.6	NEMA 5-15P	33 lbs. (15 kg)
			220		722	3.3	CEE 7/7 Schuko	33 lbs. (15 kg)
			240		860	3.4	BS-1363	
			220-230 (CE)		722-790	3.3-3.4	CEE 7/7 Schuko	
			230-240 (CE)		790-860	3.4-3.6	BS-1363	
GRSB-30-F	31.5" x 17" x 2.875" (800 x 432 x 73 mm)	30" x 15.5" (762 x 394 mm)	120	Single	505	4.2	NEMA 5-15P	25 lbs. (11 kg)
			220		462	2.1	CEE 7/7 Schuko	25 lbs. (11 kg)
			240		550	2.3	BS-1363	
			220-230 (CE)		462-505	2.1-2.2	CEE 7/7 Schuko	
			230-240 (CE)		505-550	2.2-2.3	BS-1363	
GRSB-30-I	31.5" x 21" x 2.875" (800 x 533 x 73 mm)	30" x 19.5" (762 x 495 mm)	100	Single	665	6.7	NEMA 5-15P	29 lbs. (13 kg)
			120		665	5.6	NEMA 5-15P	29 lbs. (13 kg)
			220		665	3.0	CEE 7/7 Schuko	29 lbs. (13 kg)
			240		665	2.8	BS-1363	
			220-230 (CE)		665-727	3.0-3.2	CEE 7/7 Schuko	
			230-240 (CE)		611-665	2.7-2.8	BS-1363	
GRSB-30-O	31.5" x 31.5" x 2.875" (800 x 800 x 73 mm)	30" x 30" (762 x 762 mm)	120	Single	950	7.9	NEMA 5-15P	37 lbs. (17 kg)
			220		916	4.2	CEE 7/7 Schuko	37 lbs. (17 kg)
			240		985	4.5	BS-1363	
			220-230 (CE)		916-1001	4.2-4.4	CEE 7/7 Schuko	
			230-240 (CE)		904-985	3.9-4.1	BS-1363	
GRSB-36-F	37.5" x 17" x 2.875" (953 x 432 x 73 mm)	36" x 15.5" (914 x 394 mm)	120	Single	590	4.9	NEMA 5-15P	26 lbs. (12 kg)
			220		540	2.5	CEE 7/7 Schuko	26 lbs. (12 kg)
			240		642	2.7	BS-1363	
			220-230 (CE)		540-590	2.5-2.6	CEE 7/7 Schuko	
			230-240 (CE)		590-643	2.6-2.7	BS-1363	
GRSB-36-I	37.5" x 21" x 2.875" (953 x 533 x 73 mm)	36" x 19.5" (914 x 495 mm)	100	Single	780	7.8	NEMA 5-15P	30 lbs. (14 kg)
			120		780	6.5	NEMA 5-15P	30 lbs. (14 kg)
			220		780	3.5	CEE 7/7 Schuko	30 lbs. (14 kg)
			240		780	3.3	BS-1363	
			220-230 (CE)		780-853	3.5-3.7	CEE 7/7 Schuko	
			230-240 (CE)		716-780	3.1-3.3	BS-1363	
GRSB-36-O	37.5" x 31.5" x 2.875" (953 x 800 x 73 mm)	36" x 30" (914 x 762 mm)	120	Single	1110	9.3	NEMA 5-15P	37 lbs. (17 kg)
			220		1110	5.0	CEE 7/7 Schuko	37 lbs. (17 kg)
			240		1110	4.6	BS-1363	
			220-230 (CE)		1110-1213	5.0-5.3	CEE 7/7 Schuko	
			230-240 (CE)		1020-1110	4.4-4.6	BS-1363	

[^] Recommended for use in a metallic countertop. For other surfaces, verify material is suitable for temperatures up to 200°F (93°C). * Shipping weight includes packaging.

HATCO CORPORATION

P.O. Box 340500 Milwaukee, WI 53234-0500 U.S.A. | (800) 558-0607 | (414) 671-6350



www.hatcocorp.com

support@hatcocorp.com

[Find a Hatco Rep](#)

[Image Library](#)

[Document Library](#)

[Chat](#)



Glo-Ray® Recessed Built-In Heated Shelves

Models: GRSB-24-F, -I, -O; -30-F, -I, -O; -36-F, -I, -O; -42-F, -I, -O; -48-F, -I, -O; -54-I; -60-F, -I, -O; -66-I; -72-F, -I, -O

SPECIFICATIONS

Built-In Rectangular Heated Shelves with Recessed Top

The shaded areas contain electrical information for international models

Model [^]	Dimensions (W x D x H)	Usable Shelf (W x D)	Volts	Phase	Watts	Amps	Plug	Ship Weight*
GRSB-42-F	43.5" x 17" x 2.875" (1105 x 432 x 73 mm)	42" x 15.5" (1067 x 394 mm)	120	Single	685	5.7	NEMA 5-15P	30 lbs. (14 kg)
			220		627	2.9	CEE 7/7 Schuko	
			240		746	3.1	BS-1363	
			220-230 (CE)		627-685	2.9-3.0	CEE 7/7 Schuko	
			230-240 (CE)		685-746	3.0-3.1	BS-1363	
GRSB-42-I	43.5" x 21" x 2.875" (1105 x 533 x 73 mm)	42" x 19.5" (1067 x 495 mm)	100	Single	885	8.9	NEMA 5-15P	37 lbs. (17 kg)
			120		885	7.4	NEMA 5-15P	
			220		885	4.0	CEE 7/7 Schuko	
			240		885	3.7	BS-1363	
			220-230 (CE)		885-967	4.0-4.2	CEE 7/7 Schuko	
			230-240 (CE)		813-885	3.5-3.7	BS-1363	
GRSB-42-O	43.5" x 31.5" x 2.875" (1105 x 800 x 73 mm)	42" x 30" (1067 x 762 mm)	120	Single	1270	10.6	NEMA 5-15P	46 lbs. (21 kg)
			220		1236	5.6	CEE 7/7 Schuko	
			240		1305	5.4	BS-1363	
			220-230 (CE)		1236-1351	5.6-5.9	CEE 7/7 Schuko	
			230-240 (CE)		1198-1305	5.2-5.4	BS-1363	
GRSB-48-F	49.5" x 17" x 2.875" (1257 x 432 x 73 mm)	48" x 15.5" (1219 x 394 mm)	120	Single	770	6.4	NEMA 5-15P	33 lbs. (15 kg)
			220		705	3.2	CEE 7/7 Schuko	
			240		828	3.5	BS-1363	
			220-230 (CE)		704-770	3.2-3.3	CEE 7/7 Schuko	
			230-240 (CE)		770-839	3.3-3.5	BS-1363	
GRSB-48-I	49.5" x 21" x 2.875" (1257 x 533 x 73 mm)	48" x 19.5" (1219 x 495 mm)	100	Single	1000	10.0	NEMA 5-15P	40 lbs. (18 kg)
			120		1000	8.3	NEMA 5-15P	
			220		1000	4.5	CEE 7/7 Schuko	
			240		1000	4.2	BS-1363	
			220-230 (CE)		1000-1093	4.5-4.7	CEE 7/7 Schuko	
			230-240 (CE)		918-1000	4.0-4.2	BS-1363	
GRSB-48-O	49.5" x 31.5" x 2.875" (1257 x 800 x 73 mm)	48" x 30" (1219 x 762 mm)	120	Single	1430	11.9	NEMA 5-15P	68 lbs. (31 kg)
			220		1430	6.5	CEE 7/7 Schuko	
			240		1430	6.0	BS-1363	
			220-230 (CE)		1430-1562	6.5-6.8	CEE 7/7 Schuko	
			230-240 (CE)		1313-1430	5.7-6.0	BS-1363	
GRSB-54-I	55.5" x 21" x 2.875" (1410 x 533 x 73 mm)	54" x 19.5" (1372 x 495 mm)	100	Single	1110	11.1	NEMA 5-15P	45 lbs. (21 kg)
			120		1110	9.3	NEMA 5-15P	
			220		1110	5.0	CEE 7/7 Schuko	
			240		1110	4.6	BS-1363	
			220-230 (CE)		1110-1213	5.0-5.3	CEE 7/7 Schuko	
			230-240 (CE)		1019-1110	4.4-4.6	BS-1363	
GRSB-60-F	61.5" x 17" x 2.875" (1562 x 432 x 73 mm)	60" x 15.5" (1524 x 394 mm)	120	Single	950	7.9	NEMA 5-15P	40 lbs. (18 kg)
			220		870	4.0	CEE 7/7 Schuko	
			240		1034	4.3	BS-1363	
			220-230 (CE)		869-950	4.0-4.1	CEE 7/7 Schuko	
			230-240 (CE)		950-1035	4.1-4.3	BS-1363	
GRSB-60-I	61.5" x 21" x 2.875" (1562 x 533 x 73 mm)	60" x 19.5" (1524 x 495 mm)	100	Single	1220	12.2	NEMA 5-15P	43 lbs. (20 kg)
			120		1220	10.2	NEMA 5-15P	
			220		1220	5.5	CEE 7/7 Schuko	
			240		1220	5.1	BS-1363	
			220-230 (CE)		1220-1333	5.5-5.8	CEE 7/7 Schuko	
			230-240 (CE)		1120-1220	4.9-5.1	BS-1363	
GRSB-60-O	61.5" x 31.5" x 2.875" (1562 x 800 x 73 mm)	60" x 30" (1524 x 762 mm)	120	Single	1750	14.6	NEMA 5-20P	64 lbs. (29 kg)
			220		1750	8.0	CEE 7/7 Schuko	
			240		1750	7.3	BS-1363	
			220-230 (CE)		1750-1912	8.0-8.3	CEE 7/7 Schuko	
			230-240 (CE)		1607-1750	7.0-7.3	BS-1363	

[^] Recommended for use in a metallic countertop. For other surfaces, verify material is suitable for temperatures up to 200°F (93°C). * Shipping weight includes packaging.





Glo-Ray® Recessed Built-In Heated Shelves

Models: GRSB-24-F, -I, -O; -30-F, -I, -O; -36-F, -I, -O; -42-F, -I, -O; -48-F, -I, -O; -54-I; -60-F, -I, -O; -66-I; -72-F, -I, -O

SPECIFICATIONS

Built-In Rectangular Heated Shelves with Recessed Top

The shaded areas contain electrical information for International models

Model [^]	Dimensions (W x D x H)	Usable Shelf (W x D)	Volts	Phase	Watts	Amps	Plug	Ship Weight*
GRSB-66-I	67.5" x 21" x 2.875" (1715 x 533 x 73 mm)	66" x 19.5" (1676 x 495 mm)	120	Single	1330	11.1	NEMA 5-15P	49 lbs. (22 kg)
			220		1330	6.0	CEE 7/7 Schuko	49 lbs. (22 kg)
			240		1330	5.5	BS-1363	
			220-230 (CE)		1330-1454	6.0-6.3	CEE 7/7 Schuko	
			230-240 (CE)		1221-1330	5.3-5.5	BS-1363	
GRSB-72-F	73.5" x 17" x 2.875" (1867 x 432 x 73 mm)	72" x 15.5" (1829 x 394 mm)	120	Single	1130	9.4	NEMA 5-15P	43 lbs. (20 kg)
			220		1034	4.7	CEE 7/7 Schuko	43 lbs. (20 kg)
			240		1230	5.1	BS-1363	
			220-230 (CE)		1034-1130	4.7-4.9	CEE 7/7 Schuko	
			230-240 (CE)		1130-1231	4.9-5.1	BS-1363	
GRSB-72-I	73.5" x 21" x 2.875" (1867 x 533 x 73 mm)	72" x 19.5" (1829 x 495 mm)	120	Single	1440	12.0	NEMA 5-15P	50 lbs. (23 kg)
			220		1440	6.5	CEE 7/7 Schuko	50 lbs. (23 kg)
			240		1440	6.0	BS-1363	
			220-230 (CE)		1440-1574	6.5-6.8	CEE 7/7 Schuko	
			230-240 (CE)		1322-1440	5.8-6.0	BS-1363	
GRSB-72-O	73.5" x 31.5" x 2.875" (1867 x 800 x 73 mm)	72" x 30" (1829 x 762 mm)	208	Single	2070	10.0	NEMA 6-15P	68 lbs. (31 kg)
			240		2070	8.6		68 lbs. (31 kg)
			220		2070	9.4	CEE 7/7 Schuko	
			240		2070	8.6	BS-1363	
			220-230 (CE)		2070-2262	9.4-9.8	CEE 7/7 Schuko	
			230-240 (CE)		1901-2070	8.3-8.6	BS-1363	

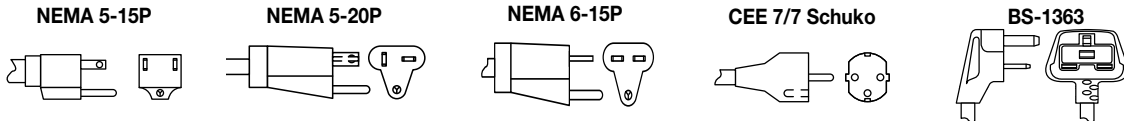
[^] Recommended for use in a metallic countertop. For other surfaces, verify material is suitable for temperatures up to 200°F (93°C).

* Shipping weight includes packaging.

CORD LOCATION

Cord is attached to Control Box.

PLUG CONFIGURATIONS



PRODUCT SPECS

Glo-Ray® Built-In Heated Shelves with Recessed Top

The Built-in Rectangular Heated Shelf with Recessed Top shall be a Glo-Ray® model ... as manufactured by the Hatco Corporation, Milwaukee, WI 53234 U.S.A.

The Rectangular Heated Shelf shall be rated at ... watts, ... volts, and ... inches (millimeters) in overall width.

It shall consist of thermostatically-controlled heated base with 3' (914 mm) conduit to control box and a 6' (1829 mm) cord with plug attached.

Options shall include: *Designer* Color for Flush Mount Control Bezel (Stainless Steel standard), Flush Mount Thermostatic Control Box with Lighted Power Switch (Thermostatic or ITC), Small Flush Mount Control Box (Thermostatic or ITC) and a 6' (1829 mm) or 10' (3048 mm) conduit used with ITC Control Boxes only. All *Designer* Colors are anti-microbial paint. Accessories shall include: Channel Dividers and Stainless Steel Rods.

Warranty consists of 24/7 parts and service assistance (U.S. and Canada only).

HATCO CORPORATION | P.O. Box 340500 Milwaukee, WI 53234-0500 U.S.A. | (800) 558-0607 | (414) 671-6350



www.hatcocorp.com | support@hatcocorp.com | [Find a Hatco Rep](#) | [Image Library](#) | [Document Library](#) | [Chat](#)