



Project \_\_\_\_\_

Item # \_\_\_\_\_

Quantity \_\_\_\_\_

# Glo-Ray® Simulated Stone<sup>▲</sup> Round Portable Heated Shelves

Models: GRSSR-16, -18, -20  
GRSSR16-, GRSSR18-, GRSSR20-DL77516  
(with Decorative Lamp)

Hatco's Glo-Ray® Simulated Stone<sup>▲</sup> Round Portable Heated Shelves are made of foodsafe materials and come in three Decorative stone colors. The GRSSR16-, GRSSR18-, GRSSR20-DL77516 lamp shade and shepard's hook are available in seven *Designer* colors. These unique warmers will safely hold food hot while blending in with your décor and are ideal for buffet lines or as hors d'oeuvre displays.

## Standard features

- Approved food-safe materials
- Adjustable thermostatically-controlled heated base with lighted rocker switch
- Blanket-type element creates uniform heat across the entire Swanstone<sup>®</sup> surface
- Temperature range of 100-200°F (38°-93°C)
- GRSSR16-, GRSSR18-, GRSSR20-DL77516 include one 250 watt, clear, uncoated bulb
- 6' (1829 mm) cord with plug attached
- Cord location is back side on base



## Options (available at time of purchase only)

Glo-Ray® Simulated Stone<sup>▲</sup> Round Portable Heated Shelf - Night Sky Standard †

- Gray Granite
- Bermuda Sand

*Designer* Color for Base (Base and Post for GRSSR16-, GRSSR18-, GRSSR20-DL77516) - Black Standard †

- Warm Red
- Gray Granite
- White Granite
- Navy Blue
- Hunter Green
- Antique Copper

*Designer* Color for GRSSR16-, GRSSR18-, GRSSR20-DL77516 Decorative Lamp - Black Standard †

- Warm Red
- Gray Granite
- White Granite
- Navy Blue
- Hunter Green
- Antique Copper

## Risers

- 3" high (76 mm)
  - 16" Dia (406 mm)
  - 18" Dia (457 mm)
  - 20" Dia (508 mm)
- 5" high (127 mm)
  - 16" Dia (406 mm)
  - 18" Dia (457 mm)
  - 20" Dia (508 mm)

Risers in *Designer* Colors † (GRSSR models only)

- Warm Red
- Gray Granite
- White Granite
- Navy Blue
- Hunter Green
- Antique Copper
- Stainless steel
- Black

## Accessories (available after purchase)

### GRSSR20-DL77516 only

Curved Simulated Stone<sup>▲</sup> Cutting Board with Juice Groove\* for:

- GRSSR-16 or GRSSR16-DL77516
- GRSSR-18 or GRSSR18-DL77516
- GRSSR-20 or GRSSR20-DL77516
  - Gray Granite
  - Bermuda Sand
  - Night Sky

Bulbs - 250W, 120V only

- Clear Coated
- Red Coated
- Red Uncoated

† Non-standard colors are non-returnable

▲ Simulated Stone is Swanstone<sup>®</sup>

\* All cutting boards are non-returnable



IFS anti-microbial coatings use naturally-occurring, environmentally sustainable, silver ions to help inhibit the growth of microbes on the powder coated surface. See [www.hatcocorp.com/antimicrobial-paint](http://www.hatcocorp.com/antimicrobial-paint) for more information.



For operation, location and safety information, please refer to the Installation and Operating Manual.



HATCO CORPORATION | P.O. Box 340500 Milwaukee, WI 53234-0500 U.S.A. | (800) 558-0607 | (414) 671-6350

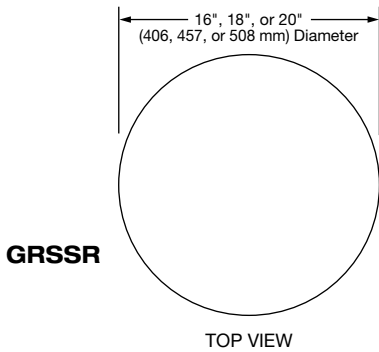


[www.hatcocorp.com](http://www.hatcocorp.com) | [support@hatcocorp.com](mailto:support@hatcocorp.com) | [Find a Hatco Rep](#) | [Image Library](#) | [Document Library](#) | [Chat](#)



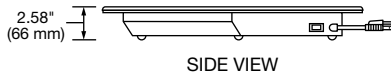
# Glo-Ray® Simulated Stone<sup>▲</sup> Round Portable Heated Shelves

Models: GRSSR-16, -18, -20 and GRSSR16-, GRSSR18-, GRSSR20-DL77516



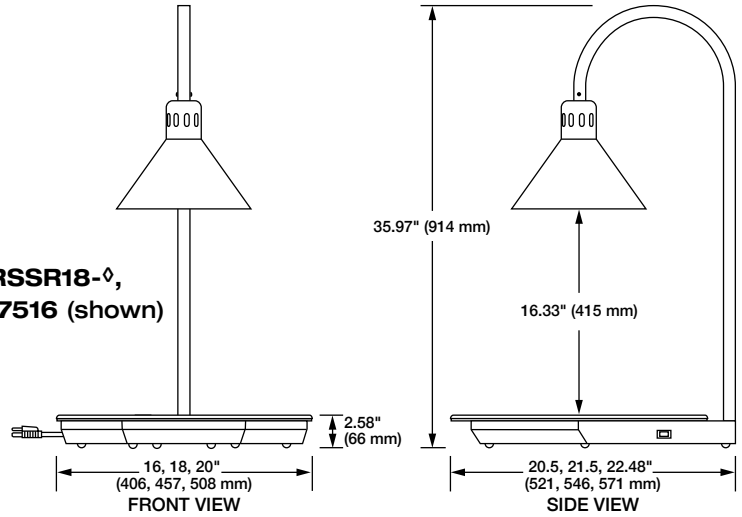
GRSSR

TOP VIEW



SIDE VIEW

GRSSR16-◇, GRSSR18-◇,  
GRSSR20-DL77516 (shown)



## SPECIFICATIONS

### Glo-Ray® Simulated Stone<sup>▲</sup> Round Portable Heated Shelves

The shaded areas contain electrical information for international models

Model	Dimensions (Diameter x Height)	Volts	Phase	Watts	Amps	Plug	Ship Weight
GRSSR-16	16" x 2.58" (406 x 66 mm)	120	Single	250	2.1	NEMA 5-15P	14 lbs. (7 kg)
		100	Single	180	1.8	NEMA 5-15P	14 lbs. (7 kg)
		220-230 (CE)	Single	190-220	0.8-0.9	CEE 7/7 Schuko	
		230-240 (CE)	Single	220-250	0.9-1.0	BS-1363	
GRSSR-18	18" x 2.58" (457 x 66 mm)	120	Single	325	2.7	NEMA 5-15P	16 lbs. (8 kg)
		100	Single	230	2.3	NEMA 5-15P	16 lbs. (8 kg)
		220-230 (CE)	Single	265-295	1.2-1.3	CEE 7/7 Schuko	
		230-240 (CE)	Single	295-325	1.3-1.4	BS-1363	
GRSSR-20	20" x 2.58" (508 x 66 mm)	120	Single	400	3.3	NEMA 5-15P	18 lbs. (9 kg)
		100	Single	270	2.7	NEMA 5-15P	18 lbs. (9 kg)
		220-230 (CE)	Single	330-370	1.5-1.6	CEE 7/7 Schuko	
		230-240 (CE)	Single	370-400	1.6-1.7	BS-1363	

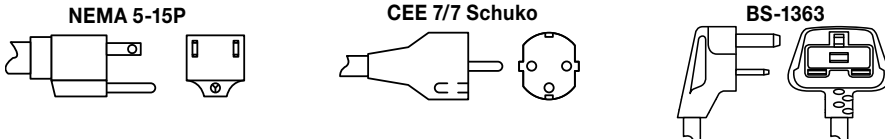
### Glo-Ray® Simulated Stone<sup>▲</sup> Round Portable Heated Shelves with Decorative Lamp

Model	Dimensions (W x Depth x H)	Volts	Phase	Total Watts	Total Amps	Plug	Ship Weight
GRSSR16-DL77516◇	16" x 20.5" x 35.97" (406 x 521 x 914 mm)	120	Single	500	4.2	NEMA 5-15P	27 lbs. (13 kg)
GRSSR18-DL77516◇	18" x 21.5" x 35.97" (457 x 546 x 914 mm)	120	Single	575	4.8	NEMA 5-15P	30 lbs. (14 kg)
GRSSR20-DL77516	20" x 22.48" x 35.97" (508 x 571 x 914 mm)	120	Single	650	5.4	NEMA 5-15P	32 lbs. (15 kg)
		100	Single	450	4.5	NEMA 5-15P	32 lbs. (15 kg)
		220-230 (CE)	Single	550-600	2.5-2.6	CEE 7/7 Schuko	
		230-240 (CE)	Single	600-650	2.6-2.7	BS-1363	

▲ Simulated Stone is Swanstone®

◇ The 16" (406 mm) and 18" (457 mm) base models have the switch and dial on the opposite side than the 20" (508 mm) base model.

## PLUG CONFIGURATIONS



## PRODUCT SPECS

### Glo-Ray® Simulated Stone<sup>▲</sup> Round Portable Heated Shelves

The Simulated Stone Round Portable Heated Shelf shall be a Glo-Ray model ... as manufactured by the Hatco Corporation, Milwaukee, WI 53234 U.S.A.

The Glo-Ray Simulated Stone Round Portable Heated Shelf shall be rated at ... watts, ... volts, and ... inches (millimeters) in overall width. It shall consist of a food-safe material, thermostatically-controlled heated base, and a 6' (1829 mm) cord with plug attached. The Lamp shall be ... inches (millimeters) in overall length and be ... inches (millimeters)

away from the shelf. It shall consist of a powdercoated vented lamp shade in anti-microbial Designer Color with heat bulb and mounting. Options include Designer Color for base or risers, two simulated stone colors. Accessories for the GRSSRxx-DL77516 include a cutting board and bulbs.

All Hatco blanket heating elements warranted against burnout for one year, U.S. and Canada only.

HATCO CORPORATION | P.O. Box 340500 Milwaukee, WI 53234-0500 U.S.A. | (800) 558-0607 | (414) 671-6350

[www.hatcocorp.com](http://www.hatcocorp.com) | [support@hatcocorp.com](mailto:support@hatcocorp.com) | [Find a Hatco Rep](#) | [Image Library](#) | [Document Library](#) | [Chat](#)