

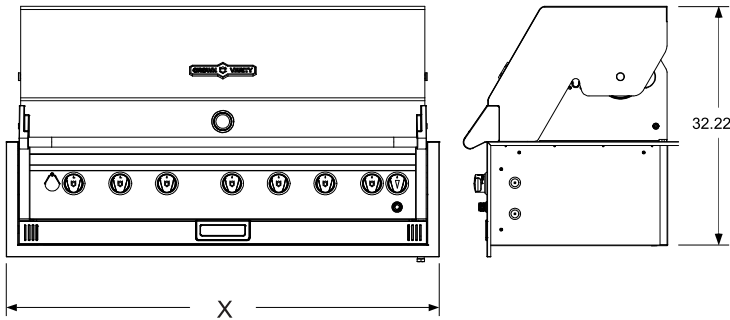
Built-in Grills

IBI30,36,42,48

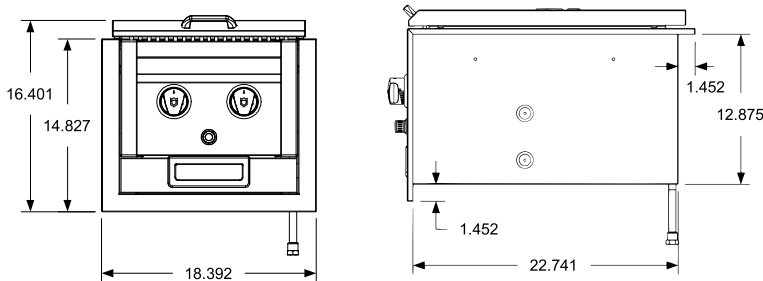
052021



IBI48



	IBI30	IBI36	IBI42	IBI48
X	35.34	41.34	47.34	55.723



Specifications

- Gas grill constructed of 304 stainless steel including grids, burners and all fasteners
- 14,750 BTUH straight tube burner
- Ready to use: ships completely assembled and comes with an insert shell ready to drop into an island
- Includes water/grease tray with deflector and drain port to ease cleaning and reduce flare-ups
- 16 gauge stainless steel radiants that remain in place during transportation and cleaning
- Stainless steel pilot burner tube system with built-in ignition system
- Lift assist technology, making domes easy to open and close

More Standard Features

- Unibody design for lighter weight and added strength
- Regulator for NG & LP models
- Factory technician tested prior to shipping
- Limited lifetime warranty.
- 1 year parts and labor limited warranty
- Refer to manual and warranty for residential and commercial usages.

Options/Accessories

Griddle Plate (CV-SP1423)
 Rotisserie (CV-RTXX-BI)
 Smoker Box (CV-SBK)

Charcoal Tray (CV-CTP)
 Light Packages (XXFDLT/FLT/DLT)

Built-in Island Accessories

*Available empty, 1, 2 and 3 drawer versions

3 Drawer Compartment (IBILC-3D)* Side Burner with cabinet (IBISC-SB)
 Propane Compartment (IBILC-PH) 2 Drawer Compartment (IBISC-2D)*
 Ice Chest (CV-ICI) Trash Compartment (IBILC-GH)
 Vertical Access Door (IBI-VD) Horizontal Drawer (IBIXX-DD)
 Horizontal Access Door (IBIXX-HD) Outdoor Fridge (CV-RF-1)

Certifications



Specifications

All above shown with options

052021



Model	IBI30	IBI36	IBI142
Number of Burners	4	5	6
BTUH	64,500	79,250	94,000
Actual Weight (lbs)	131	163	131
Shipping Weight (lbs)	209	243	209
Cooking Surface	28" x 21"	34" x 21"	40" x 21"
Overall Dimensions	35.34" W x 32.22" H x 24.693" D	41.34" W x 32.22" H x 24.693" D	47.34" W x 32.22" H x 24.693" D
Cut Out Dimensions	33" W x 13" H x 23 D"	39" W x 13" H x 23 D"	45" W x 12" H x 23 D"



Model	IBI48	IB1482RD
Number of Burners	7	6
BTUH	108,750	94,000
Actual Weight (lbs)	194	194
Shipping Weight (lbs)	284	284
Cooking Surface	46" x 21"	two 22" x 21"
Overall Dimensions	55.723" W x 32.22" H x 24.693" D	55.723" W x 32.22" H x 24.693" D
Cut Out Dimensions	53.375" W x 12" H x 23 D"	53.375" W x 12" H x 23 D"

Optional side burner (IBISB) - A side burner increases flexibility, providing a convenient surface for sauteing and keeping sauces hot.



IBISB

Model	IBISB
Number of Burners	2
BTUH	24,000
Weight (lbs)	30
Overall Dimensions	18.392"W x 24.693"D x 16.401"H
Cut Out Dimensions	16"W x 23"D x 13.125"H