



KM-161B_J

**SELF-CONTAINED CUBER
WITH BUILT-IN STORAGE BIN**



KM-161B_J
10/11/19
Item # 13551

Item #: _____
Project: _____
Qty: _____
AIA#: _____

W x D x H
23^{3/4}" x 28" x 39"*
*including 6" legs

ADA Compliant

**KMEdge
DESIGN**

KM-161BAJ
Air-Cooled

KM-161BWJ
Water-Cooled



Features

- ▶ Individual crescent cube
- ▶ Stainless steel evaporator
- ▶ CycleSaver™ design

- Up to 163 lbs. of ice production per 24 hours
- Built-in storage capacity of 2.6ft³/78 lbs.*
- Durable stainless steel exterior
- Front-in, front-out airflow with removable air filter
- Slide in door
- 6.5 ft. (2000 mm) power cord with NEMA 5-15P plug
- Power switch accessible without panel removal
- Built-in installation possible
- H-GUARD Plus Antimicrobial adds extra protection to the ice scoop (included)
- EverCheck™ alert system
- R-134a Refrigerant

Warranty:

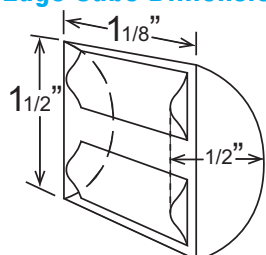
3 Year Parts & Labor on entire machine. 5 Year Parts & Labor on Evaporator. 5 Year Parts on Compressor; air-cooled condenser coil. Valid in United States, Canada, Puerto Rico and U.S. Territories. Contact factory for warranty in other countries.

Shipping: (LxWxH) 31" x 27" X 39" Volume: 18.89ft³



Condenser	Model	ICE PRODUCTION		WATER USAGE		ELECTRICAL						
		Air / Water Temp Lbs. per 24 hours 70°/50°F 90°/70°F		Potable Gal. per 100 lbs. 90°/70°F	Condenser Gal. per 100 lbs. 90°/70°F	kWh Used per 100 lbs. 90°/70°F	Min. Circuit Amp. - Max Fuse/Breaker	Amperage	Voltage	Heat Rejection BTU/hr.	Refrigerant Charge Amount	Net / Ship Weight (lbs.)
Air-Cooled	KM-161BAJ	163	123	23.0	N/A	8.60	15A	7.1A	115V/60/1	3,050	7.4 oz.	126 / 161
Water-Cooled	KM-161BWJ	153	135	25.0	161	6.50	15A	6.4A	115V/60/1	2,900	10.6 oz.	126 / 161

KM Edge Cube Dimensions*



* approximate size in inches, image not to scale

Operating Limits

- Ambient Temp Range 45 - 100°F
- Water Temp Range 45 - 90°F
- Water Pressure 10 - 113 PSIG
- Voltage Range 104 - 127V

Service

- Allow enough space at rear for water supply and drain connections, at least 12" (30 cm) clearance at front and at least 0.6" (15 mm) clearance at top for maintenance.

Plumbing

- Icemaker Water Supply Line: Minimum 1/4" Nominal ID Copper Water Tubing or Equivalent
- Icemaker Drain Line: Minimum 3/4" Nominal ID Hard Pipe or Equivalent

Water Filter

Please refer to water filter spec sheet for recommended configurations.

Hoshizaki reserves the right to change specifications without notice.



KM-161B_J

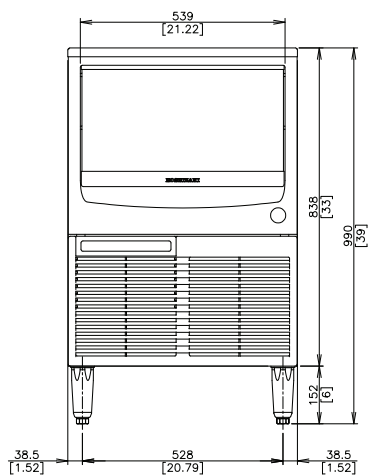
SELF-CONTAINED CUBER WITH BUILT-IN STORAGE BIN



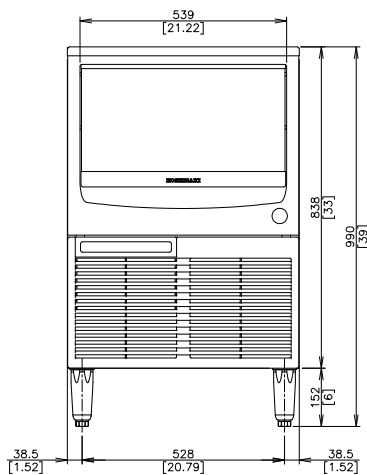
KM-161B_J
10/11/19
Item # 13551

mm
[inch]

FRONT VIEW

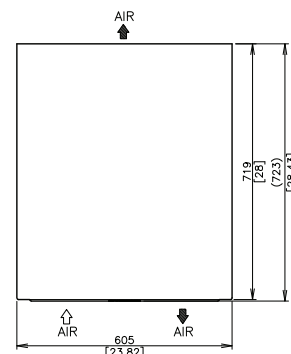


AIR-COOLED



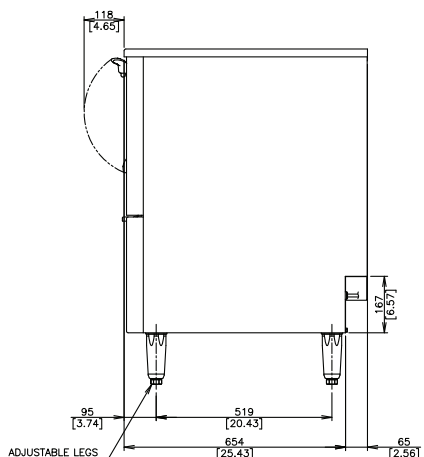
WATER-COOLED

TOP VIEW

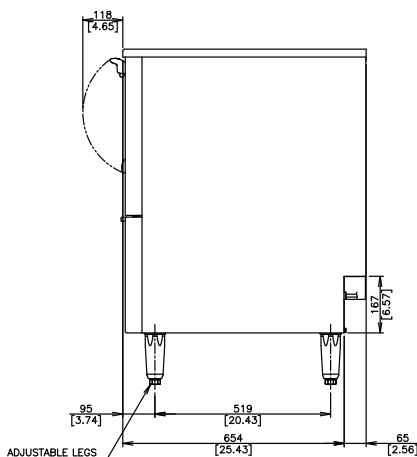


AIR-COOLED

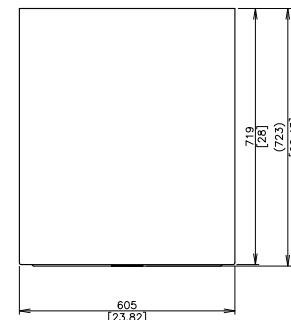
SIDE VIEW



AIR-COOLED

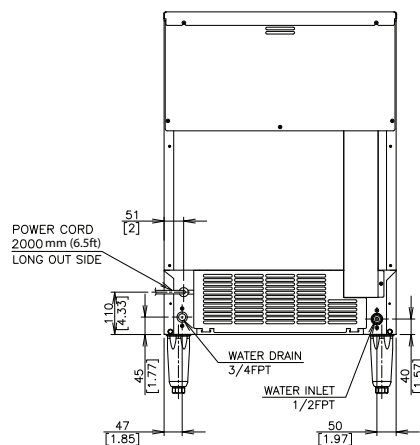


WATER-COOLED

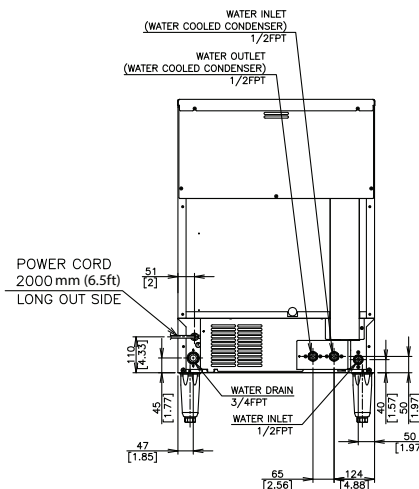


WATER-COOLED

REAR VIEW



AIR-COOLED



WATER-COOLED