



FOOD EQUIPMENT

SERVING THE FOOD INDUSTRY SINCE 1951

ELITE SERIES DOUBLE PANINI GRILL - RIBBED TOP AND BOTTOM

Item: 11378

Model: PG-IT-0737-R

Ideal for quesadillas, panini, foccacia, and pita sandwiches. These model have stainless steel bodies with cast iron grilling surfaces for easy cleaning.



Authorized Dealer

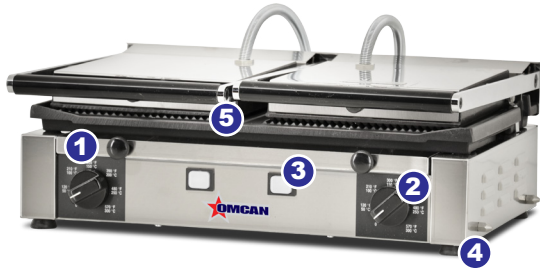


LIMITED WARRANTY
PARTS AND LABOR



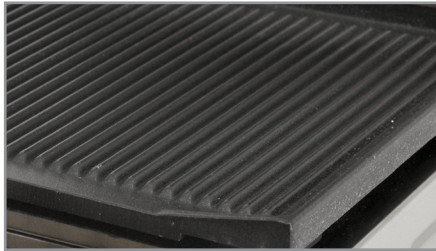
FOOD EQUIPMENT

ELITE SERIES DOUBLE PANINI GRILL - RIBBED TOP AND BOTTOM



Main Component

- 1 Collecting Tray
- 2 Thermostat Control
- 3 Functioning Pilot Lamp
- 4 Non-slip Rubber Feet
- 5 Top & Bottom: Ribbed Grill Plate



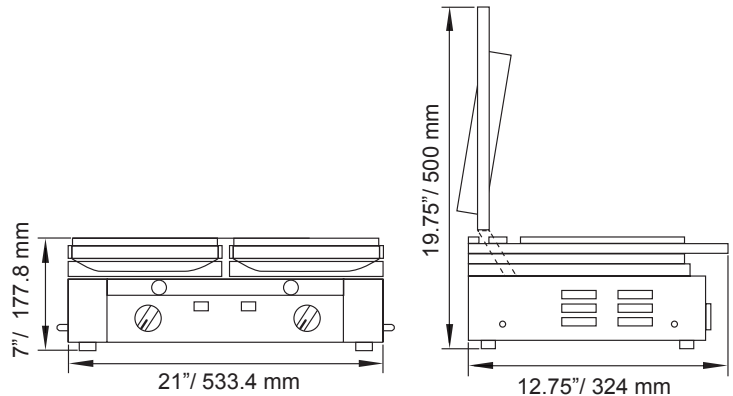
Accessory



Panini Grill Cleaning Brush

DOUBLE PANINI GRILL WITH RIBBED TOP & BOTTOM GRILL PLATES

TECHNICAL DRAWING WITH DIMENSIONS



TECHNICAL SPECIFICATION

ITEM NUMBER	11378
MODEL	PG-IT-0737-R
GRILL SURFACE	Top: 8.75" / 222.25 mm (x2), Bottom: 10" x 19" / 254 x 482.6 mm
AMPS	13
THERMOSTAT CONTROL	120 - 570 °F / 50 - 300 ° C
POWER	3 kW
ELECTRIC	220V/60Hz/1
TOP GRILL	Ribbed
BOTTOM GRILL	Ribbed
NET WEIGHT	56 lbs. / 25 kg.
GROSS WEIGHT	70 lbs. / 32.8 kg.
DIMENSIONS (WDH)	21" x 12.75" x 19.75"(Open) / 7"(Close) 533.4 x 324 x 500(Open) / 177.8(Close) mm



NEMA
6-20
250 VAC / 20 AMP



OMCAN INC.

Telephone: 1-800-465-0234
 Fax: (905) 607-0234
 Email: sales@omcan.com
 Website: www.omcan.com



Follow us to keep up to date with the latest news and offers



2015.E.O.E