



KITCHEN EQUIPMENT

SERVING THE FOOD INDUSTRY SINCE 1951

14-INCH BLADE SLICER Item: 23544 Model: MS-CN-0350



**EASILY AND EFFICIENTLY
CUT MEATS AND VEGETABLES**

■ *Perfect for low volume operations*

Omcan's 14-inch blade slicer have anodised aluminum alloy body. Boasting a 0.50 horsepower, it offers exceptional cutting consistency and durability. Easy to disassemble for quick cleaning.



WARRANTY
PARTS AND LABOR



NEMA
5 - 15
125 VAC / 15 AMP



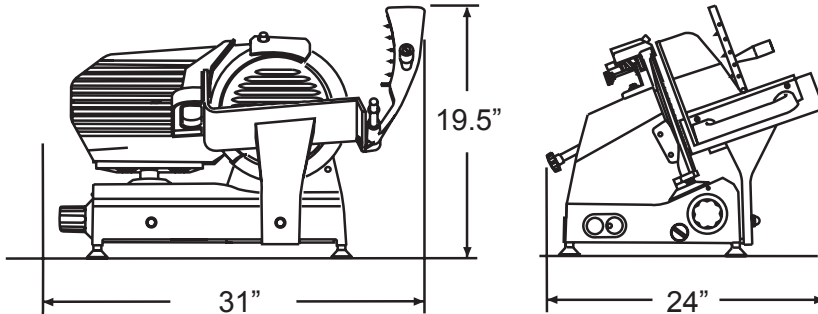
Authorized Dealer

KITCHEN EQUIPMENT

14-INCH BLADE SLICER | MS-CN-0350



TECHNICAL DRAWINGS AND DIMENSIONS



TECHNICAL SPECIFICATIONS

ITEM NUMBER	23544
MODEL	MS-CN-0350
BLADE SIZE	14" / 350 mm
CUT THICKNESS	0.2 - 15 mm
CUTTING SIZE	12.59" x 14" / 319.7 x 355.6 mm
POWER	0.50 HP / 0.37 kW
CHEESE SLICING*	
SLICING VOLUME*	1 hour
RPM	240
ELECTRICAL	110V / 60Hz / 1Ph
WEIGHT	130 lbs. / 59 kg.
GROSS WEIGHT	133 lbs. / 60.45 kg.
DIMENSIONS (WDH)	31" x 24" x 19.50" / 787.4 x 609.6 x 495.3 mm
GROSS DIMENSIONS	32" x 27" x 23" / 812.8 x 685.8 x 584.2 mm

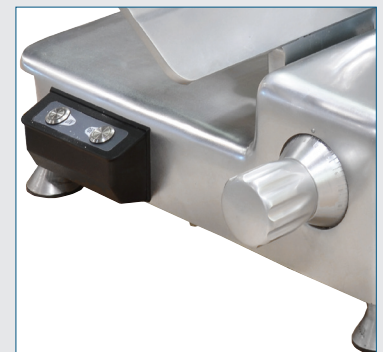
*CHEESE SLICING RATINGS NOT RECOMMENDED → POOR → AVERAGE → GOOD → EXCELLENT →

*Results may vary due to product consistency and temperature.

FEATURES

- Anodised aluminium alloy body
- High carbon steel blades are hard chromed, with a hollow ground taper for extended sharpening and blade life
- Offers exceptional cutting consistency and durability
- Carriage moves smoothly on ball bearings allowing effortless cutting of deli meats and vegetables
- Easy to disassemble for quick cleaning
- Perfect for low volume operations

PRODUCT DETAILS



OMCAN INC.

Telephone: 1-800-465-0234

Fax: (905) 607-0234

Email: sales@omcan.com

Website: www.omcan.com



Follow us to keep up to date with the latest news and offers



2016.E.O.E