



# COOKING EQUIPMENT

SERVING THE FOOD INDUSTRY SINCE 1951

## 16" ROUND CREPE MAKER

Item: 27618

Model: CE-CN-0400

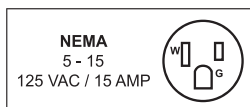


### Features:

- Built with Stainless Steel base and polished cast iron cooking plate top
- Comes with stainless steel spatula and crepe batter spreader
- Thermostatically controlled from 60-300°C



**WARRANTY**  
PARTS AND LABOR



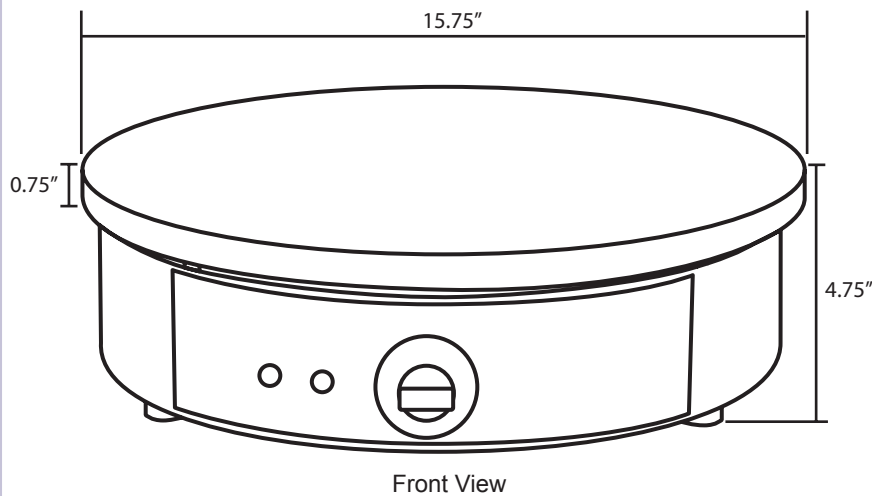
Authorized Dealer

# COOKING EQUIPMENT

## 16" ROUND CREPE MAKER



### TECHNICAL DRAWING AND DIMENSIONS



### TECHNICAL SPECIFICATIONS

ITEM NUMBER	27618
MODEL	CE-CN-0400
POWER	1800W
ELECTRICAL	120v/60Hz
TEMPERATURE RANGE	60-300°C/ 140
PLATE DIAMETER	15.75" / 40 cm
NET WEIGHT	17.5 kg. / 38.5 lbs
PACKAGING WEIGHT	19.5 kg. / 42.9 lbs
DIMENSIONS (DWH)	15.75" x 15.75" x 4.75" / 40 x 40 x 12 cm
PACKAGING DIMENSIONS	21.25" x 21.5" x 8" / 54 x 54 x 20.3 cm

### OPTIONAL ACCESSORIES

*Stainless steel spatula and crepe batter spreader available to purchase separately:*

ITEM 46147	Spatula for Crepe Griddle (350 mm)
ITEM 46148	Stainless Steel Spreader for Crepe Griddle



## OMCAN INC.

Telephone: 1-800-465-0234  
 Fax: (905) 607-0234  
 E-mail: sales@omcan.com  
 Website: www.omcan.com



Follow us to keep up to date with the latest news and offers

