



SERVING THE FOOD INDUSTRY SINCE 1951

DOUGH SHEETERS

Item: 27959 Model: BE-CN-2083-C | Item: 27960 Model: BE-CN-2083-F

Suitable for bakeries, restaurants, and hotels, Omcan's dough sheeters are designed for optimal performance. They are equipped with safety features, preset roller thickness controls, and foldable tables for space saving storage. These machines increase your bakery's production and efficiency. The BE-CN-2083-F features retractable end tables.



EFFICIENT EQUIPMENT PERFECT FOR YOUR BAKERY



Model BE-CN-2083-F



Model BE-CN-2083-C



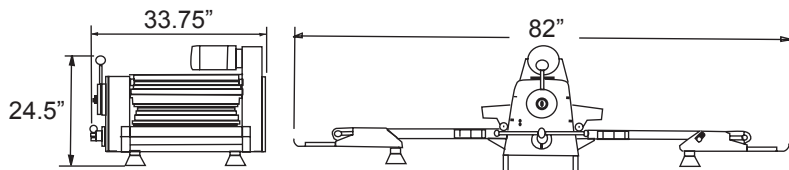
Authorized Dealer

FOOD EQUIPMENT

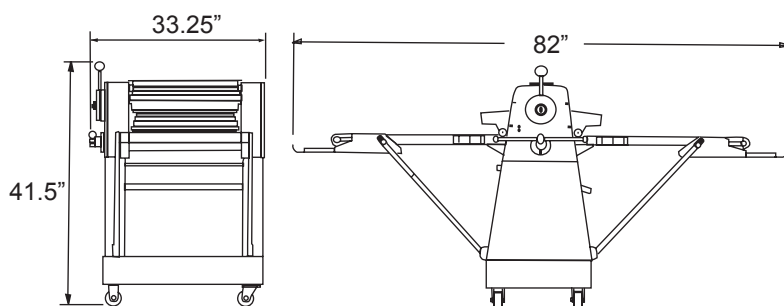
DOUGH SHEETERS 27959, 27960



TECHNICAL DRAWING AND DIMENSIONS



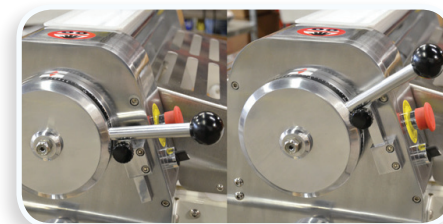
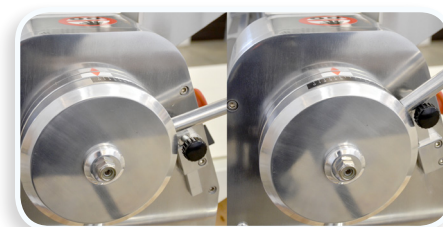
MODEL BE-CN-2083-C



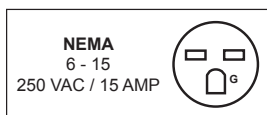
MODEL BE-CN-2083-F

SAFETY FEATURES

- Safety Guards
- Emergency Stop Switch
- Thermal Overload Device



TECHNICAL SPECIFICATION	Table Top Dough Sheeter	Floor Model Dough Sheeter
ITEM NUMBER	27959	27960
MODELS	BE-CN-2083-C	BE-CN-2083-F
POWER	0.5 HP / 0.37 kW	0.75 HP / 0.56 kW
ROLLER LENGTH	20.5"	20.5"
HEIGHT ADJUSTMENT RANGE	1mm-35mm	1mm-35mm
CONVEYOR WIDTH	19.75"	19.75"
ELECTRICAL	220V / 60Hz / 1Ph	220V / 60Hz / 1Ph
WEIGHT	271 lbs. / 123 kg.	419 lbs. / 190 kg.
DIMENSIONS (WDH)	82" x 33.75" x 24.5" 2083 x 857 x 622 mm	82" x 33.25" x 41.5" 2083 x 845 x 1054 mm
PACKAGING WEIGHT	341 lbs. / 155 kg.	512 lbs. / 232 kg.
PACKAGING DIMENSIONS	37" x 29" x 40" 940 x 737 x 1016 mm	37" x 29" x 66" 940 x 737 x 1676 mm



OMCAN INC.

Telephone: 1-800-465-0234
 Fax: (905) 607-0234
 Email: sales@omcan.com
 Website: www.omcan.com



Follow us to keep up to date with the latest news and offers

