



KITCHEN EQUIPMENT

SERVING THE FOOD INDUSTRY SINCE 1951

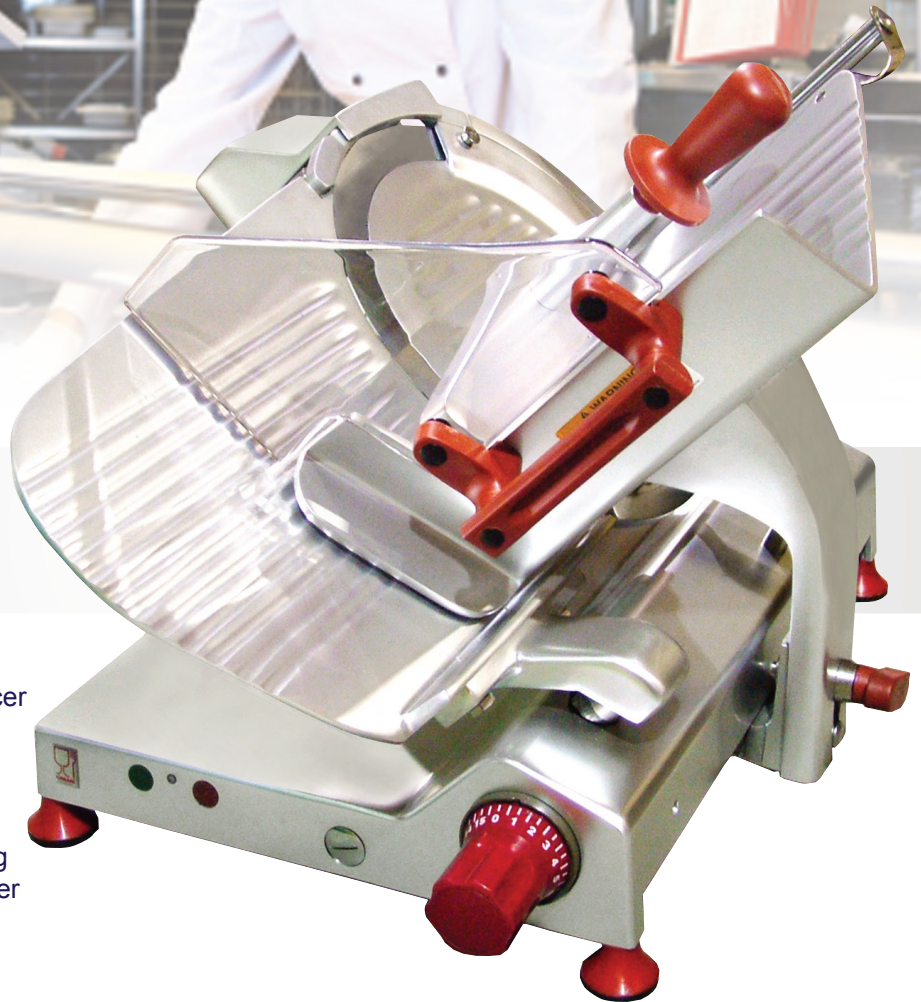
13-INCH BLADE GEAR-DRIVEN DELI SLICER

ITEM: 31438 MODEL: MS-IT-0330-F

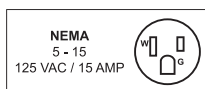


**EXCEPTIONAL AND EASY-TO-USE
SLICER FOR YOUR KITCHEN**

Omcan's MS-IT-0330-F Gear-Driven Deli Slicer is a big size gravity feed slicer of elegant design. The narrow band blade offers high cutting performance with any type of product to the most demanding operators. The big sized product holder is positioned on a sliding carriage, and it can be totally removed in order to facilitate the daily cleaning operation.



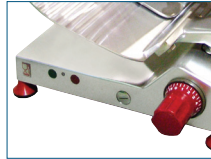
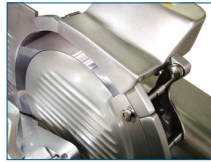
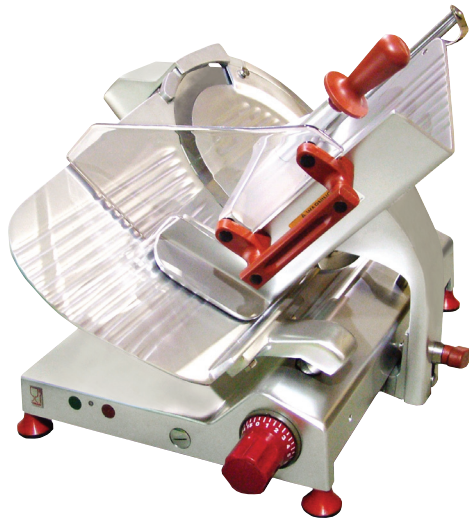
WARRANTY
PARTS AND LABOR



Authorized Dealer

KITCHEN EQUIPMENT

13-INCH BLADE SLICER MS-IT-0330-F / 31438



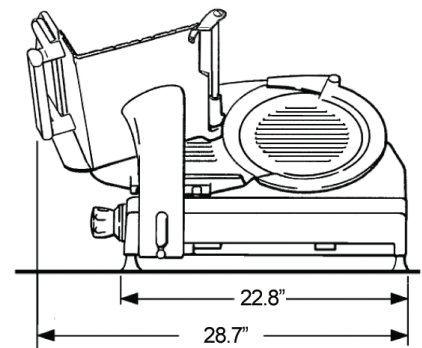
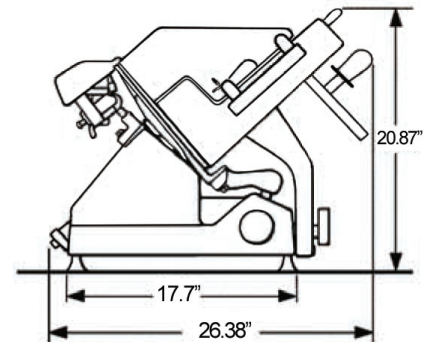
KEY FEATURES

- GEAR driven transmission.
- ON/OFF one switches with LED.
- Removable parts for cleaning, blade cover, product-holder plate, aluminum meat grip, stainless steel slice deflector.
- Blade with NARROW BAND of chromium-plated hardened steel.
- Turning aside and REMOVABLE sharpener.
- Big size product - holder plate.
- Transparent Plexiglas Protection at product-holder plate.
- High reliability of all elements.
- New design with large spaces.
- Safety devices according to EN1974 standards.

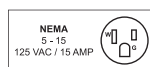
TECHNICAL SPECIFICATION

ITEM NUMBER	31438
MODEL	MS-IT-0330-F
BLADE	13" / 330 mm
POWER	350 Watts / 0.47 HP
CHEESE SLICING [^]	
SLICING VOLUME [*]	8 hours or more
SLICING CAPACITY	□ 10.6" x 6.7" / 269 x 170 mm ○ 9.45" / 240 mm
CUT THICKNESS	0 - 0.55" / 0 - 14 mm
IP	65
RPM	240
VOLTAGE	120V / 60Hz / 1Ph
WEIGHT	43 kg. / 94.8 lbs.
PACKAGING WEIGHT	50 kg. / 110 lbs.
DIMENSIONS (DWH)	26.38" x 29.7" x 20.87" 670 x 754 x 530 mm
PACKAGING DIMENSIONS	32.7" x 28" x 26.7" 831 x 711 x 678 mm

TECHNICAL DRAWINGS AND DIMENSIONS



[^]CHEESE SLICING RATINGS: NOT RECOMMENDED → POOR → AVERAGE → GOOD → EXCELLENT →
 *Results may vary due to product consistency and temperature.



OMCAN INC.

Telephone: 1-800-465-0234
 Fax: (905) 607-0234
 Email: sales@omcan.com
 Website: www.omcan.com



Follow us to keep up to date with the latest news and offers

