



**WAREWASHING/HANDLING**

**SERVING THE FOOD INDUSTRY SINCE 1951**

## **POT SINKS - ONE TUB SINK WITHOUT DRAIN BOARD**

Designed with durability in mind, this one tub sink is the perfect appliance for your washing tasks big and small and an excellent edition for your commercial kitchen!



Authorized Dealer



**LIMITED  
WARRANTY**

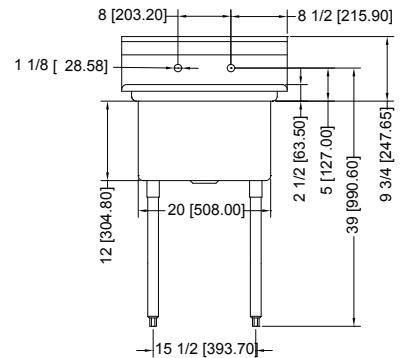
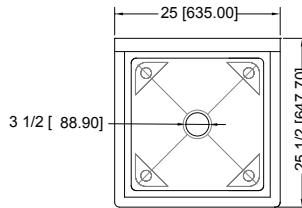
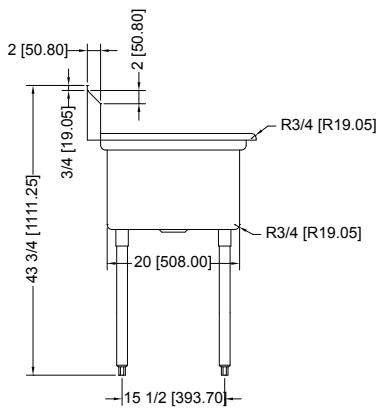
# WAREWASHING/HANDLING

## POT SINK - 20" x 20" x 12" ONE TUB SINK



### Features:

- 18-gauge stainless steel
- Shipped with legs removed
- Comes with socket and plastic bullet feet
- Center Drain size: 3.5" drain basket included
- Conforms to CSA Standards



### TECHNICAL SPECIFICATION

ITEM NUMBER	43072
DESCRIPTION	20" X 20" X 12" ONE TUB SINK WITHOUT DRAIN BOARD
WEIGHT	27 lbs.
PACKAGING WEIGHT	37 lbs.
DIMENSIONS (WDH)	20" x 20" x 12" / 508 mm x 508 mm x 305 mm
PACKAGING DIMENSIONS	27" x 26" x 26" / 685 mm x 660.4 mm x 660.4 mm

### OMCAN INC.

Telephone: 1-800-465-0234  
Fax: (905) 607-0234  
Email: sales@omcan.com  
Website: www.omcan.com



Follow us to keep up to date with the latest news and offers



2015.E.O.E