



REFRIGERATION

SERVING THE FOOD INDUSTRY SINCE 1951

SOLID DOOR BOTTLE KEG COOLERS WITH BEER DISPENSERS

Item: 50066 (Model: BD-CN-0007-HC)

Item: 50067 (Model: BD-CN-0019-HC)

Item: 50068 (Model: BD-CN-0023-HC)

Item: 50063 (Model: BB-CN-0012-DH)

Item: 50064 (Model: BB-CN-0016-DH)

Item: 50065 (Model: BB-CN-0020-DH)

Item: 50069 (Model: BD-CN-0032-HC)



Designed with enduring quality and value. The exterior comprises of attractive corrosion resistant vinyl on steel in black finish. Durable stainless steel top, interior walls, floor and ceiling. Self-closing doors with locks. It comes with LED lights.



Authorized Dealer



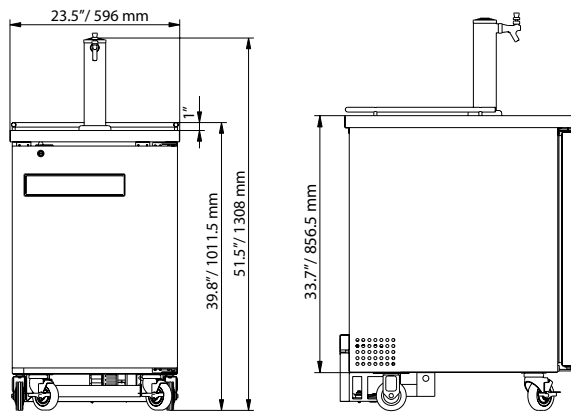
WARRANTY

1 YEAR PARTS AND LABOR
5 YEARS PARTS ON COMPRESSOR



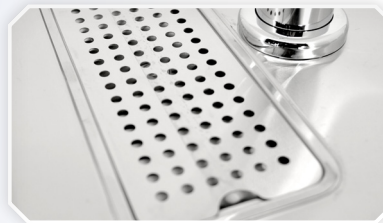
REFRIGERATION

BEER DISPENSERS WITH SINGLE DOOR AND 1 SPOUT



Features:

- Durable stainless steel top, interior walls, floor and ceiling
- Exterior construction is attractive corrosion resistant vinyl on steel in black finish
- Refrigeration system keeps the drinks at safe temperatures between 33°F and 41°F (0.5°C to 5°C)
- Shelves: Adjustable heavy-duty PVC coated shelves
- Self-Closing doors with locks
- LED interior lighting
- Removable installation board makes it easy to access condenser coil for cleaning and service
- Refrigerant: HYDRO-CARBON R290



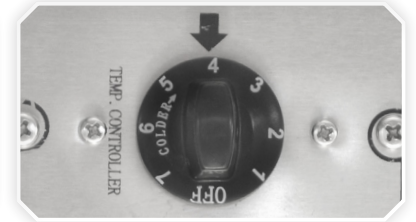
Stainless steel top tray cover



Optional order (Item 44224):
Double tap tower



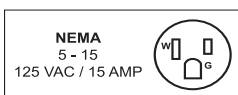
Thermometer



Mechanical temperature controller

TECHNICAL SPECIFICATION

| | | | |
|-------------------|-------------------------|--------------------------|---|
| ITEM NUMBER | 50066 | COMPRESSOR HP | 1/6 |
| MODEL | BD-CN-0007-HC | ELECTRICAL | 115V / 60Hz / 1Ph |
| POWER | 1/6 HP | AMPS | 1.92A |
| PRODUCT CAPACITY | One 1/2 barrel | OVERALL DIMENSIONS (DWH) | 30.8" x 23.5" x 51.5" / 782 x 596 x 1308 mm |
| NUMBER OF DOORS | 1 | INTERIOR DIMENSIONS | 19.5" x 25.8" x 28.6" / 496 x 655 x 726 mm |
| TEMPERATURE RANGE | 0.5 - 5 °C / 33 - 41 °F | PACKAGING DIMENSIONS | 25.2" x 32" x 48" / 640 x 815 x 1220 mm |
| CAPACITY | 6.5 cu. ft. | WEIGHT | 70 kg/ 154 lbs |
| NUMBER OF SHELVES | N/A | PACKAGING WEIGHT | 80 kg/ 176 lbs |



OMCAN INC.

Telephone: 1-800-465-0234

Fax: (905) 607-0234

Email: sales@omcan.com

Website: www.omcan.com



Follow us to keep up to date with the latest news and offers



2017.E.O.E

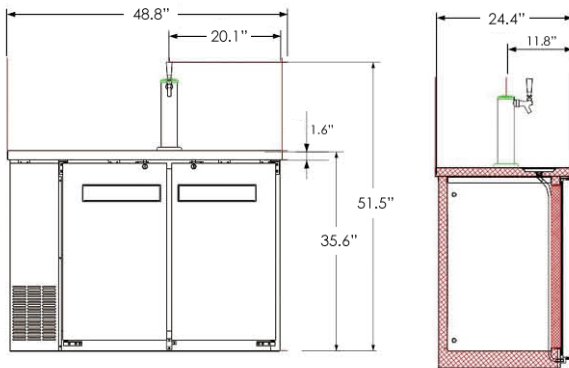
REFRIGERATION

BEER DISPENSERS WITH DOUBLE DOOR AND 1 SPOUT



Features:

- Durable stainless steel top, interior walls, floor and ceiling
- Exterior construction is attractive corrosion resistant vinyl on steel in black finish
- Refrigeration system keeps the drinks at safe temperatures between 33°F and 41°F (0.5°C to 5°C)
- Shelves: Adjustable heavy-duty PVC coated shelves
- Self-Closing doors with locks
- LED interior lighting
- Removable installation board makes it easy to access condenser coil for cleaning and service
- Refrigerant: HYDRO-CARBON R290



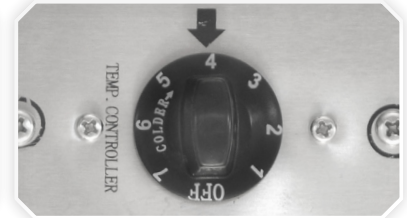
Stainless steel top tray cover



Optional order (Item 44224):
Double tap tower



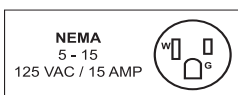
Shelf



Mechanical temperature controller

TECHNICAL SPECIFICATION

| | | | |
|-------------------|-------------------------|--------------------------|--|
| ITEM NUMBER | 50063 | COMPRESSOR HP | 1/5 HP |
| MODEL | BB-CN-0012-DH | ELECTRICAL | 115V / 60Hz / 1Ph |
| POWER | 150 kW | AMPS | 3 |
| PRODUCT CAPACITY | Two 1/2 barrels | OVERALL DIMENSIONS (DWH) | 24.4" x 48.8" x 5' 5" / 1240 x 620 x 905 mm |
| NUMBER OF DOORS | 2 | INTERIOR DIMENSIONS | 36 1/4" x 18 1/2" x 30 1/2" / 920 x 470 x 775 mm |
| TEMPERATURE RANGE | 0.5 - 5 °C / 33 - 41 °F | PACKAGING DIMENSIONS | 51 1/8" x 27 4/8" x 42 3/8" / 1300 x 700 x 1075 mm |
| CAPACITY | 11.8 cu. ft. | WEIGHT | 98 kg. / 216 lbs. |
| NUMBER OF SHELVES | 4 | PACKAGING WEIGHT | 118 kg. / 260 lbs. |



OMCAN INC.

Telephone: 1-800-465-0234

Fax: (905) 607-0234

Email: sales@omcan.com

Website: www.omcan.com



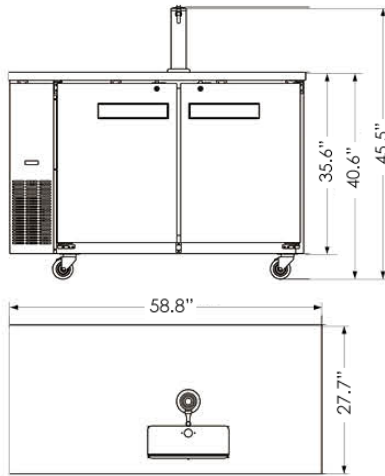
Follow us to keep up to date with the latest news and offers



2017.E.O.E

REFRIGERATION

BEER DISPENSERS WITH DOUBLE DOOR
AND 1 SPOUT



Features:

- Durable stainless steel top, interior walls, floor and ceiling
- Exterior construction is attractive corrosion resistant vinyl on steel in black finish
- Refrigeration system keeps the drinks at safe temperatures between 33°F and 41°F (0.5°C to 5°C)
- Shelves: Adjustable heavy-duty PVC coated shelves
- Self-Closing doors with locks
- LED interior lighting
- Removable installation board makes it easy to access condenser coil for cleaning and service
- Refrigerant: HYDRO-CARBON R290



Stainless steel top tray cover



Optional order (Item 44224):
Double tap tower



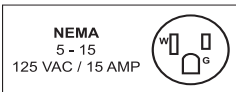
Shelf



Mechanical temperature
controller

TECHNICAL SPECIFICATION

| | | | |
|-------------------|-------------------------|--------------------------|--|
| ITEM NUMBER | 50067 | COMPRESSOR HP | 1/5 |
| MODEL | BD-CN-0019-HC | ELECTRICAL | 110V / 60Hz / 1Ph |
| POWER | 150 kW | AMPS | 2.88 |
| PRODUCT CAPACITY | Two 1/2 barrels | OVERALL DIMENSIONS (DWH) | 27.7" x 58.8" x 45.5" / 1495 x 705 x 905 mm |
| NUMBER OF DOORS | 2 | INTERIOR DIMENSIONS | 46" x 21.8" x 28.9" / 1170 x 555 x 735 mm |
| TEMPERATURE RANGE | 0.5 - 5 °C / 33 - 41 °F | PACKAGING DIMENSIONS | 61 28" x 30 4/8" x 41 6/8" / 1555 x 775 x 1060 mm |
| CAPACITY | 19 cu. ft. | WEIGHT | 127 kg. / 279 lbs. |
| NUMBER OF SHELVES | 4 | PACKAGING WEIGHT | 142 kg. / 312 lbs. |



OMCAN INC.

Telephone: 1-800-465-0234

Fax: (905) 607-0234

Email: sales@omcan.com

Website: www.omcan.com



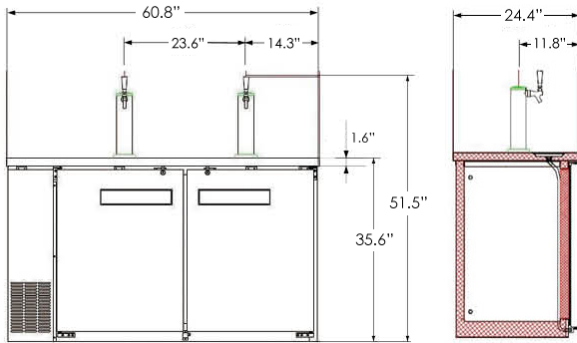
Follow us to keep up to date with the
latest news and offers



2017.E.O.E

REFRIGERATION

BEER DISPENSERS WITH DOUBLE DOOR AND 2 SPOUTS



Features:

- Durable stainless steel top, interior walls, floor and ceiling
- Exterior construction is attractive corrosion resistant vinyl on steel in black finish
- Refrigeration system keeps the drinks at safe temperatures between 33°F and 41°F (0.5°C to 5°C)
- Shelves: Adjustable heavy-duty PVC coated shelves
- Self-Closing doors with locks
- LED interior lighting
- Removable installation board makes it easy to access condenser coil for cleaning and service
- Refrigerant: HYDRO-CARBON R290



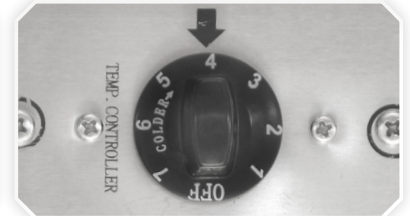
Stainless steel top tray cover



Optional order (Item 44224):
Double tap tower



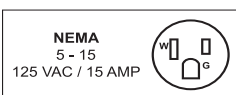
Shelf



Mechanical temperature controller

TECHNICAL SPECIFICATION

| | | | |
|-------------------|-------------------------|--------------------------|--|
| ITEM NUMBER | 50064 | COMPRESSOR HP | 1/5 HP |
| MODEL | BB-CN-0016-DH | ELECTRICAL | 115V / 60Hz / 1Ph |
| POWER | 150 kW | AMPS | 3 |
| PRODUCT CAPACITY | Two 1/2 barrels | OVERALL DIMENSIONS (DWH) | 24.4" x 60.8" x 51.5" / 1544 x 620 x 905 mm |
| NUMBER OF DOORS | 2 | INTERIOR DIMENSIONS | 48 1/4" x 18 1/2" x 30 1/2" / 1224 x 470 x 775 mm |
| TEMPERATURE RANGE | 0.5 - 5 °C / 33 - 41 °F | PACKAGING DIMENSIONS | 63 3/8" x 27 4/8" x 42 3/8" / 1610 x 700 x 1075 mm |
| CAPACITY | 15.8 cu. ft. | WEIGHT | 116 kg. / 255 lbs. |
| NUMBER OF SHELVES | 4 | PACKAGING WEIGHT | 145 kg. / 319 lbs. |



OMCAN INC.

Telephone: 1-800-465-0234
 Fax: (905) 607-0234
 Email: sales@omcan.com
 Website: www.omcan.com

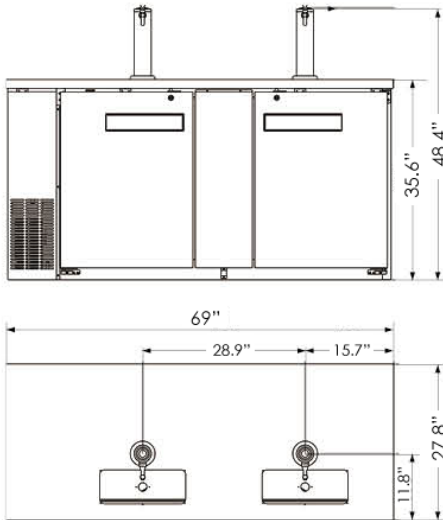


Follow us to keep up to date with the latest news and offers



REFRIGERATION

BEER DISPENSERS WITH DOUBLE DOOR
AND 2 SPOUTS



Features:

- Durable stainless steel top, interior walls, floor and ceiling
- Exterior construction is attractive corrosion resistant vinyl on steel in black finish
- Refrigeration system keeps the drinks at safe temperatures between 33°F and 41°F (0.5°C to 5°C)
- Shelves: Adjustable heavy-duty PVC coated shelves
- Self-Closing doors with locks
- LED interior lighting
- Removable installation board makes it easy to access condenser coil for cleaning and service
- Refrigerant: HYDRO-CARBON R290



Stainless steel top tray cover



Optional order (Item 44224):
Double tap tower



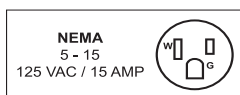
Shelf



Mechanical temperature controller

TECHNICAL SPECIFICATION

| | | | |
|-------------------|-------------------------|--------------------------|--|
| ITEM NUMBER | 50068 | COMPRESSOR HP | 1/5 |
| MODEL | BD-CN-0023-HC | ELECTRICAL | 110V / 60Hz / 1Ph |
| POWER | 150 kW | AMPS | 3.6 |
| PRODUCT CAPACITY | Three 1/2 barrels | OVERALL DIMENSIONS (DWH) | 27.8" x 69" x 48.4" / 1755 x 705 x 905 mm |
| NUMBER OF DOORS | 2 | INTERIOR DIMENSIONS | 56.3" x 21.8" x 29" / 1430 x 555 x 735 mm |
| TEMPERATURE RANGE | 0.5 - 5 °C / 33 - 41 °F | PACKAGING DIMENSIONS | 71 4/8" x 30 4/8" x 41 6/8" / 1815 x 775 x 1060 mm |
| CAPACITY | 23.3 cu. ft. | WEIGHT | 148 kg. / 326 lbs. |
| NUMBER OF SHELVES | 4 | PACKAGING WEIGHT | 167 kg. / 367 lbs. |



OMCAN INC.

Telephone: 1-800-465-0234

Fax: (905) 607-0234

Email: sales@omcan.com

Website: www.omcan.com



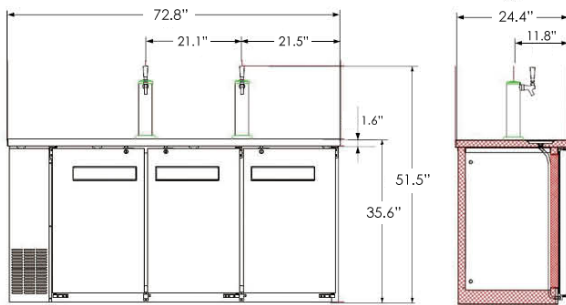
Follow us to keep up to date with the latest news and offers



2017.E.O.E

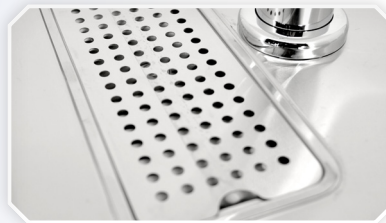
REFRIGERATION

BEER DISPENSERS WITH TRIPLE DOOR AND 2 SPOUTS



Features:

- Durable stainless steel top, interior walls, floor and ceiling
- Exterior construction is attractive corrosion resistant vinyl on steel in black finish
- Refrigeration system keeps the drinks at safe temperatures between 33°F and 41°F (0.5°C to 5°C)
- Shelves: Adjustable heavy-duty PVC coated shelves
- Self-Closing doors with locks
- LED interior lighting
- Removable installation board makes it easy to access condenser coil for cleaning and service
- Refrigerant: HYDRO-CARBON R290



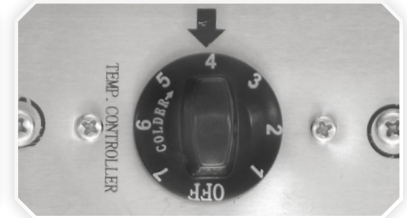
Stainless steel top tray cover



Optional order (Item 44224):
Double tap tower



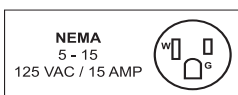
Shelf



Mechanical temperature controller

TECHNICAL SPECIFICATION

| | | | |
|-------------------|-------------------------|--------------------------|--|
| ITEM NUMBER | 50065 | COMPRESSOR HP | 1/4+ |
| MODEL | BB-CN-0020-DH | ELECTRICAL | 115V / 60Hz / 1Ph |
| POWER | 196 kW | AMPS | 4 |
| PRODUCT CAPACITY | Three 1/2 barrels | OVERALL DIMENSIONS (DWH) | 24.4" x 72.8" x 51.5" / 1848 x 620 x 905 mm |
| NUMBER OF DOORS | 3 | INTERIOR DIMENSIONS | 60 1/8" x 18 1/2" x 30 1/2" / 1528 x 470 x 775 mm |
| TEMPERATURE RANGE | 0.5 - 5 °C / 33 - 41 °F | PACKAGING DIMENSIONS | 75 2/8" x 27 4/8" x 42 3/8" / 1910 x 700 x 1075 mm |
| CAPACITY | 19.6 cu. ft. | WEIGHT | 141 kg. / 310 lbs. |
| NUMBER OF SHELVES | 6 | PACKAGING WEIGHT | 175 kg. / 385 lbs. |



OMCAN INC.

Telephone: 1-800-465-0234

Fax: (905) 607-0234

Email: sales@omcan.com

Website: www.omcan.com



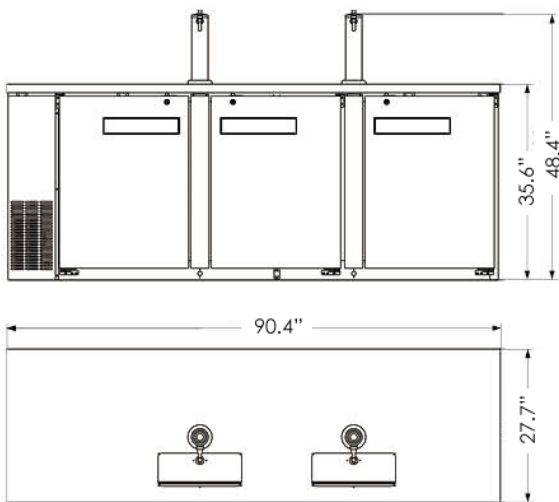
Follow us to keep up to date with the latest news and offers



2017.E.O.E

REFRIGERATION

BEER DISPENSERS WITH TRIPLE DOOR
AND 2 SPOUTS



Features:

- Durable stainless steel top, interior walls, floor and ceiling
- Exterior construction is attractive corrosion resistant vinyl on steel in black finish
- Refrigeration system keeps the drinks at safe temperatures between 33°F and 41°F (0.5°C to 5°C)
- Shelves: Adjustable heavy-duty PVC coated shelves
- Self-Closing doors with locks
- LED interior lighting
- Removable installation board makes it easy to access condenser coil for cleaning and service
- Refrigerant: HYDRO-CARBON R290



Stainless steel top tray cover



Optional order (Item 44224):
Double tap tower



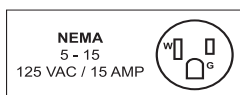
Shelf



Mechanical temperature
controller

TECHNICAL SPECIFICATION

| | | | |
|-------------------|-------------------------|--------------------------|---|
| ITEM NUMBER | 50069 | COMPRESSOR HP | 1/4+ |
| MODEL | BD-CN-0032-HC | ELECTRICAL | 110V / 60Hz / 1Ph |
| POWER | 196 kW | AMPS | 4.7 |
| PRODUCT CAPACITY | Five 1/2 barrels | OVERALL DIMENSIONS (DWH) | 27.7" x 90.4" x 48.4" / 2295 x 705 x 905 mm |
| NUMBER OF DOORS | 3 | INTERIOR DIMENSIONS | 77.5" x 21.8" x 29" / 1970 x 555 x 735 mm |
| TEMPERATURE RANGE | 0.5 - 5 °C / 33 - 41 °F | PACKAGING DIMENSIONS | 91 6/8" x 30 4/8" x 41 6/8" / 2330 x 775 x 1060 mm |
| CAPACITY | 32 cu. ft. | WEIGHT | 170 kg. / 374 lbs. |
| NUMBER OF SHELVES | 6 | PACKAGING WEIGHT | 195 kg. / 429 lbs. |



OMCAN INC.

Telephone: 1-800-465-0234

Fax: (905) 607-0234

Email: sales@omcan.com

Website: www.omcan.com



Follow us to keep up to date with the
latest news and offers



2017.E.O.E