



Job _____ Item No. _____

Pro-Max 2.0® Sandwich Grill

- PGT7 PGT7E PGT7I PGT7IE PST7 PST7E PST7I PST7IE
- PGT14 PGT14D PGT14E PGT14I PGT14IE PGT14IEGT PGT14IT
- PGT14T PST14 PST14D PST14E PST14I PST14IE PST14IT
- PST14IEGT PST14IGT PST14ITGT PST14T



PGT14T [new models will utilize a different label design]

DESCRIPTION

The Star Pro-Max 2.0® sandwich grills are designed to cook wraps, sandwiches, chicken breasts, hamburgers, and much more. The design is compact and portable providing flexibility. These grills can come with smooth, grooved, or combination surfaces, made of aluminum or iron. The available electronic temperature control and timer are industry leading options.

SPECIFICATIONS

The PST- and PGT-series sandwich grills will be constructed in the U.S.A. with a corrosion-resistant stainless steel body. The hinge mechanism will use a heavy-duty torsion spring design. Depending on model, the grill will come with grooved, smooth, or combination smooth bottom/grooved top cooking surface. The plates will also be either aluminum or iron depending on model. The grill's "flat landing" opening will provide consistent contact heating to items up to three [3] inch (76 mm) thick. The grill will operate between 175°F (79°C) and 550°F (288°C). The power will be single phase. Each unit will come with a pre-wired six [6] foot (183 cm) cord with a standard NEMA plug consistent with the certification and amperage of the unit.

WARRANTY

These units come with a one [1] year warranty for parts and labor.

FEATURES

- Heavy-duty spring hinge system tested to millions of cycles for a lifetime of durable, problem free operation
- Three [3] inch (76 mm) "flat landing" opening accommodates the largest sandwiches with consistent contact and heating
- Aluminum or cast iron cooking surfaces
- Grooved, smooth or combination smooth bottom/grooved top cooking surfaces
- Multiple control options— analog temperature with or without digital timer, or electronic.
- Heavy-gauge oil and water resistant conduit protects electrical connections

OPTIONS & ACCESSORIES

- Aluminum or iron cooking surfaces
- single plate or split top for two-sided use [14-inch only]
- smooth, grooved, or combination smooth bottom/grooved top cooking surface
- electronic temperature control and timer or electronic timer only

SANDWICH GRILL MODEL FORMULA

plate style grooved [PGT] smooth [PST]

grill width 7 [7] 14 [14]

plate material aluminum [no letter] iron [I]

options no timer [no letter] electronic timer [T]

electronic temp. control and timer [E]

split-top [D, includes "E" option]

specialty options smooth bottom/grooved top [GT]

CERTIFICATIONS



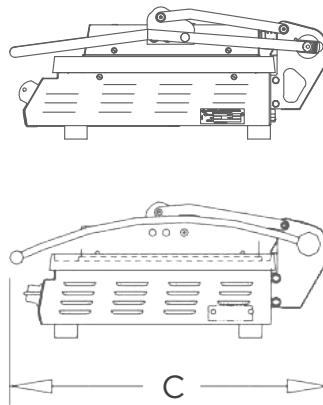
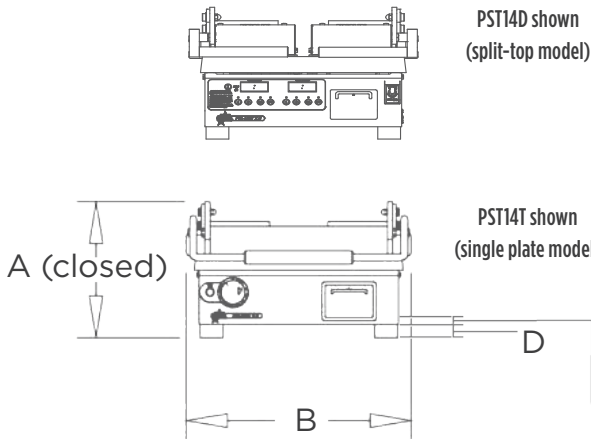
STAR MANUFACTURING INTERNATIONAL INC.
265 Hobson Street • Smithville, Tennessee 37166
Telephone 888 356 5362 • Fax 314 781 5445
www.star-mfg.com

Printed in the U.S.A. • ZM-Z21285 • Rev F • 12.2017
Specifications are subject to change without notice and are not intended for installation purposes.



Pro-Max 2.0® Sandwich Grill

- PGT7 PGT7E PGT7I PGT7IE PST7 PST7E PST7I PST7IE
PGT14 PGT14D PGT14E PGT14I PGT14IE PGT14IEGT PGT14IT
PGT14T PST14 PST14D PST14E PST14I PST14IE PST14IT
PST14IEGT PST14IGT PST14ITGT PST14T



The six [6] foot power cord exits the rear of the case here.

The cord exits approximately .625 in. (159 mm) up from the base of each model and from the right side [looking from the front] the cord is 1.5 in. (38 mm) from the side on the 7-in. model and 3.375 in. (86 mm) on the 14-in. model.

GRILL SIZE	VOLTS	WATTS	AMPS	PLUG	TWO-SIDED COOKING SURFACE	LOWER PLATEN SURFACE
7 in.	120	1,425	11.9	5-15P	13.4 in. x 6.5 in. (340 mm x 165 mm)	7.5 in x 14.2 in. (191 mm x 361 mm)
	230	1,310	5.7	CEE7-7		
	240	1,425	5.9	6-15P		
14 in. single	120	1,800	15	5-15P ¹	13.5 in. x 13.5 in. (343 mm x 343 mm)	14.5 in x 14.2 in. (368 mm x 361 mm)
	230 [aluminum]	1,650	7.2	CEE7-7		
	230 [iron]	3,306	14.4	CEE7-7		
	208/240 [aluminum]	1,350/1,800	6.5/7.5	6-15P		
14 in. split-top	120	2,300	19.2	5-20P ²	13.4 in. x 6.5 in. ⁶ (340 mm x 165 mm) ⁶	14.5 in x 14.2 in. (368 mm x 361 mm)
	230	2,112	9.2	CEE7-7		
	208/240	1,728/2,300	8.3/9.6	6-15P		

¹5-20P for CSA ²5-30P for CSA

⁶this model uses two [2] platens this



GRILL SIZE	HEIGHT CLOSED-OPEN [A]	WIDTH [B]	DEPTH [C]	LEG HEIGHT [D]	WEIGHT SHOWN BELOW AS ALUMINUM [IRON]	
					APPROX. SHIP WEIGHT	APPROX. WEIGHT INSTALLED
7 in.	10 in.-26.6 in. (254 mm-676 mm)	10.375 in. (264 mm)	23.3 in. (592 mm)	1 in. (25 mm)	55 lb. [69 lb.] (24.9 kg [31.3 kg])	44 lb. [58 lb.] (20 kg [25.9 kg])
14 in.	10.5 in.-27.125 in. ⁵ (267 mm-689 mm) ⁵	16.5 in. (419 mm)	23.3 in. (592 mm)	1 in. ⁵ (25 mm) ⁵	75 lb. [108.5 lb.] ⁴ (34 kg [49.2 kg]) ⁴	62 lb. [95.5 lb.] ⁴ (28.1 kg [43.3 kg]) ⁴

⁴split-top weight approx. 81 lb. (36.7 kg) installed, approx. 94 lb. (42.6 kg) shipped

⁵add 2 inches (51 mm) for iron plate models

Due to periodic changes in designs, methods, procedures, policies and regulations, the specifications contained in this sheet are subject to change without notice. While Star Manufacturing exercises good faith efforts to provide information that is accurate, we are not responsible for errors or omissions in information provided or conclusions reached as a result of using the specifications. By using the information provided, the user assumes all risks in connection with such use.



STAR MANUFACTURING INTERNATIONAL INC.

265 Hobson Street • Smithville, Tennessee 37166
 Telephone 888 356 5362 • Fax 314 781 5445
 www.star-mfg.com

Printed in the U.S.A. • 2M-Z21285 • Rev F • 12.2017
 Please refer to the owner's manual for information regarding installation or use.