

Champion®

The Dishwashing Machine Specialists

Project _____

Item No. _____

Quantity _____

STANDARD FEATURES

- Heavy-duty stainless steel construction
- Front-loading
- External rinse hose and spray gun
- Self-contained water heating
- Moisture resistant control gauges
- Recirculating wash water
- Adjustable wash and rinse cycles
- Removable dual filtration system
- Digital Control & Information Center
- Versatile racking system
- Electric or steam heating
- Precision engineered spray patterns
- One year parts and labor warranty

MODEL PP-20

Pot, Pan and
Utensil Washer



*Photo is for general visual representation only.
Please refer to specifications for the latest
detailed product information.*

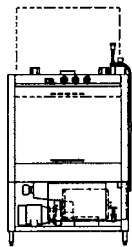


OPTIONS

Tank Heat

Steam

Lift Door Model:



PP-20

SPECIFIER STATEMENT

Specified unit will be Champion Industries model PP-20 pot, pan and utensil washer.

Features include split door design, 7.5 Hp pump motor, 20 pan capacity, push button control and information center, recirculating wash water and 27 second wash/rinse cycle.

1 year parts and labor warranty.

Champion Industries, Inc.
3765 Champion Blvd., Winston-Salem, NC 27105
Tel: 336/661-1556 Fax: 336/661-1979

2674 N. Service Road,
Jordan Station, Ontario, Canada L0R 1S0
Tel: 800/263-5798 Fax: 905/562-4618

www.championindustries.com

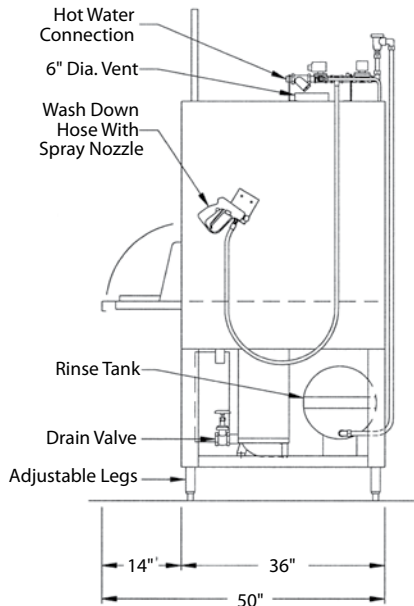
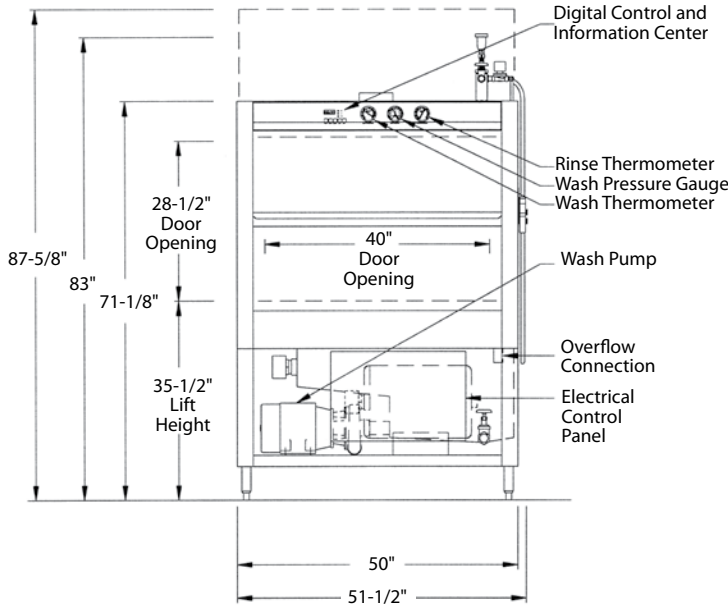
MODEL PP-20

Pot, Pan and Utensil Washer

Champion®

The Dishwashing Machine Specialists

Dimensions shown in inches



SPECIFICATIONS

Machine Construction

12, 14, & 16 gauge stainless steel. All seams tig welded.

Split Door

Stainless steel split door design. The top half rises while the lower half folds down to provide a space saving drain table.

Lift Door (optional)

Stainless steel front loading lift door design for easy loading and unloading.

Spray Arm Assembly

Stainless steel spray arm assemblies, with stainless steel jets and quick-release mechanism for easy cleaning and reassembly.

Filter

Perforated, removable, stainless steel baskets.

Water Pump

7.5 Hp, 208/240 or 480 volt, 1 phase or 3 phase, 60 cycle with output of 120 gallons per minute at 35 to 45 P.S.I.

Digital Control & Information Center

110 volt control circuit with push pad operation of "power on," "stop" and "short, medium or long wash cycles." A digital display indicates "time remaining" for each cycle. LED's indicate wash, rinse and unload functions. A buzzer is also included to provide an audible indication of time to unload. Pre-programmed circuit board allows the push pad to be used as a "diagnostic center" by displaying "error codes" for ease of troubleshooting.

Gauges

Special moisture resistant design measures wash temperature, rinse temperature, wash jet pressure.

Wash Tank

Stainless steel with electric infrared, gas, steam or steam coil natural immersion heaters, thermostatically controlled, low-water protected, sloped to drain with a 36-gallon capacity (27 gallons if infrared gas heated)

Rinse Tank

Stainless steel 12 kW total 208/240 or 480 volt or optional 575 electric booster heaters to provide 180°F/190°F hot sanitizing rinse.

Racks

Stainless steel rod, built to match specific washing requirements.

Champion Industries, Inc.,
3765 Champion Blvd., NC 27105
336/661-1556 • Fax: 336/661-1979
2674 N. Service Rd, Jordan Station, Ontario, Canada
L0R 1S0 • 800/263-5798 • Fax: 905/562-4618

ChampionIndustries.com • ChampionIndustries.com/canada • sales@moyerdiebellimited.com

an Ali Group Company



The Spirit of Excellence

Washer	Automatic washing machine designed to wash all pots, pans and utensils commonly used in baking and cooking operations.
Cabinet	Split Door: 50" wide x 36" deep x 71-1/8" high. Overall height with door open: 86-1/8". Door opening: 40" wide x 28-1/2" high. Constructed of 16 gauge, stainless steel. All seams continuously welded, cleaned and polished. Lift Door: 50" wide x 36" deep x 73" high. Overall height with door open: 100-3/4". Door opening: 40" wide x 28-1/2" high. Constructed of 12, 14 & 16 gauge, stainless steel. All seams tig-welded, cleaned and polished.
Door	Split Door: Front-loading, split door design for easy loading and unloading. The top half of the door system rises while the lower half folds down to create a space saving drain table. Door is interlocked with limit switch to prevent machine operation while door is open. Door construction: 14 and 18 gauge, stainless steel. Lift Door: Counter balanced with self-lubricating guides, stainless steel cables on nylon rollers with cable guards to insure tracking. Door is interlocked with proximity switch to prevent machine operation while door is open. Door construction: 16 gauge, stainless steel.
Recirculating Wash Tank	Heated by 12 kW total 208/240, 480 or optional 575 volt electric immersion heater, thermostatically controlled wash temperature and low water protection system. 36 gallons (27 gallons if infrared heated), 14 gauge stainless steel, sloped to drain. Infrared gas and steam heating options available.
Wash Tank Filter	Perforated, stainless steel basket type, double filter system for increased effectiveness and easy cleaning without emptying wash tank.
Wash Tank Fill Valve	Split Door: Size 1-1/4" NPT, automatic. Lift Door: Size 1/2" brass material, solenoid type, automatic.
Wash Tank Drain Valve	Size 1-1/4" brass material, gate type for manual or electrically operated ball valve for automatic option.
Wash Pump	7.5 hp, 208/240, 480 or optional 575 volt, 3 phase, 60 cycle. Close coupled; 120 gallons per minute at 35 to 45 psi, mounted on 12 gauge stainless steel formed channel base.
Spray Arm Assemblies	Water driven, stainless steel spray arm assemblies, top and bottom, with stainless steel jets and quick-release mechanism for easy cleaning and reassembly.
Sanitizing Rinse Tank	Stainless steel, 10 gallon capacity, with 12 kW total 208/240, 480 or optional 575 volt electric booster heater to provide 180°/190° F hot sanitizing rinse. Uses 5 gallons per 27 second cycle. Infrared gas and steam coil heating options available.
Rinse Supply Valve	Size 3/4" brass material, solenoid type, automatic.
Final Rinse	Stainless steel tubing with brass compression fittings and brass or optional stainless steel full cone rinse jets.
Control & Information Center	120 volt control circuit with push pad operation of "Power On," "Stop" and "Short, Medium or Long Wash Cycles." A digital display indicates "Time Remaining" for each cycle. LED's indicated wash, rinse and unload functions. A buzzer is also included to provide an audible indication when the machine is ready to unload. A pre-programmed circuit board allows the push pad to be used as a "Diagnostic Center" by displaying "Error Codes" for ease of troubleshooting. Moisture resistant gauges measure Wash Temperature, Wash Pressure and Rinse Temperature.
Wash Down Spray Hose	Externally mounted spray hose with spray gun for easy cleaning and maintenance of machine.



The Dishwashing Machine Specialists

SPECIFICATIONS MODEL PP-20 POT, PAN & UTENSIL WASHER

Steam Exhaust Vent Steam exhaust vent 6-3/4" I.D., consisting of 16 gauge rolled collar for PVC pipe connection bolted to the top of the machine. Machine pre-wired with control timer for the addition of a fan.

Optional Exhaust Fan Draft inducer fan side mounted on exhaust duct to extract excess steam after final rinse cycle. 300 CFM @ .05" static pressure. 1/10 Hp, 110 volt motor, 1550 RPM.

Racks Standard bakery racks include (1) utensil rack with (2) hold-down lids and (2) bun/sheet pan inserts designed to hold (20) pans, constructed of stainless steel rod, mig-welded.

Connections
Water Inlet: 120°F, 3/4" NPT
Water Drain and Overflow: 1-1/4" NPT
Electrical: Single point connection
Steam Heating Option: 1/2" NPT

Weight Crated: 1,100 lbs. Uncrated: 850 lbs. NOTE: All weights are approximate. Weights will vary depending on the number of options included with the machine.

Electrical Connections

575 voltage available in Canada

Elec. Spec.	Running Amps	
	Electric Wash Electric Booster	Steam Wash ¹ Steam Booster
208 Volt 3 phase	88	21
240 Volt 3 phase	81	20
480 Volt 3 phase	40	11
575 Volt 3 phase	35	11

¹ Steam Supply: Consumption: 95 lbs./hr. @ 15 psi minimum

Certifications NSF, UL and UL Sanitation Listed (all). CUL Listed