



Equipment for the Foodservice Industry

value + quality + service

36" Ranges



RCTRS-6B

*Optional Casters and Oven rack available

36" Ranges

Features

Features:

- Stainless steel front, back, sides, kick plate including back guard and high shelf
- Heavy duty lift-off cast iron burners rated at 25,000 BTU/hr
- 12" x 12" cast iron top grates
- 3/4" thick polished steel griddle plate on applicable models
- Grease trough on griddle models
- Oven size is 26 1/2 x 26 x 14"
- Oven burner rated at 27,000 BTU/hr
- Oven pilot with 100% safety shut off
- Stainless steel oven burners and pilots
- Multiple position oven rack guides

- One chrome rack per oven. Additional racks available
- Manifold Operating Pressure
- 5" WC/ 11mbar natural gas
- 10" WC/ 25mbar propane

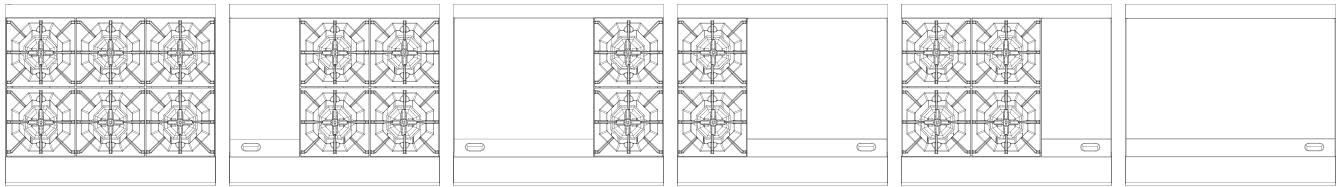
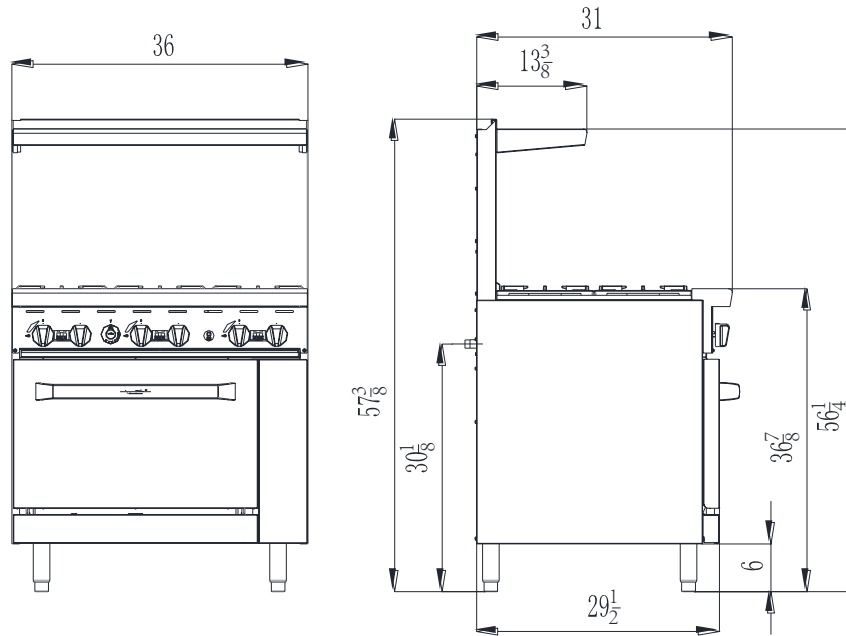
Warranty:

- One year limited warranty parts and labor.
For full warranty details visit <https://www.efifoodequip.com/warranty-info.php>



36" Ranges

Specifications



RCTRS-6B

RCTRS-12G-4B

RCTRS-24G-2B

RCTRS-2B-24G

RCTRS-4B-12G

RCTRS-36G

Model	Description	Total B.T.U./h	Shipping Weight Lbs/kg
RCTRS-6B-N	6 Burners	177,000	532/242
RCTRS-6B-P		165,000	
RCTRS-12G-4B-N	12" Griddle and 4 Burners	148,000	563/256
RCTRS-12G-4B-P		140,000	
RCTRS-24G-2B-N	24" Griddle and 2 Burners	125,000	590/268
RCTRS-24G-2B-P		121,000	
RCTRS-2B-24G-N	2 Burners and 24" Griddle	125,000	590/268
RCTRS-2B-24G-P		121,000	
RCTRS-4B-12G-N	4 Burners and 12" Griddle	148,000	563/256
RCTRS-4B-12G-P		140,000	
RCTRS-36G-N	36" Griddle	102,000	615/279
RCTRS-36G-P		102,000	

Specifications subject to change without notice.



EFI Sales Ltd.
Toronto Office
515 Hanlon Blvd
Guelph, ON N1C 0A1

EFI Sales Ltd.
Vancouver Office
26895 Gloucester Way
Langley, BC V4W 3Y3

Distribution Facilities:
Toronto, ON
Langley, BC

(888) 565-9920 Toll Free
(519) 822-1895 Toronto
(604) 607-8850 Vancouver
info@efifoodequip.com
www.efifoodequip.com