

Project \_\_\_\_\_  
 Item \_\_\_\_\_  
 Quantity \_\_\_\_\_  
 CSI Section 11400  
 Approval \_\_\_\_\_  
 Date \_\_\_\_\_

## Models

TempStar®



### Standard Features

- Multi-cycle timer (Extra Heavy, Heavy, Medium, Normal)
- Specially designed stainless steel nozzles provide superior cleaning action
- Built-in 70 °F (38.9 °C) rise booster heater with Sani-Sure™ final rinse system is standard; 40 °F (22.2 °C) rise booster heater is available but must be specified at time of order
- 17-1/4" (438 mm) door opening accepts 18" (457 mm) trays
- Interchangeable wash/rinse arms screw out for simple cleanup
- Auto tank fill
- Door actuated start
- Delime/manual wash switch
- Vent fan control - shuts vent fan off when machine is idle
- Low watt density electric wash tank heater
- Hi-limit thermostat and low water protection
- Top mounted controls for ease of operation
- Adjustable bullet feet
- Uses standard 20" X 20" (508 mm X 508 mm) racks
- Front dress panel
- Detergent/rinse additive signal connection fuse box
- Self-draining stainless steel pump
- Large scrap basket

### Mandatory Specs

Specify:  
 Specify voltage \_\_\_\_\_  
 Specify booster size \_\_\_\_\_

### Options

- Optional 40 °F (22.2 °C) rise booster heater is available at no additional cost (must be specified on P.O.)
- 460V Electrical
- Single Phase
- Pressure Regulator
- Drain Water Tempering Kit
- Scaltrol
- Water Hammer Arrestor
- Flanged Feet
- False Panel (for corner installations, kit required)
- Door Interlock
- Security Package

### Accessories

- 36-Compartment Rack
  - 4-1/8" tall (105 mm)
  - 5-5/8" tall (143 mm)
  - 7" tall (178 mm)
- Combination Rack
- Peg Rack

### Specifications

- Uses 0.89 gallons (3.37 liters) of water per rack
- Total automatic (normal) cycle - 57 seconds
- 63 (58)\* racks per hour (normal) cycle
- 1 hp wash pump motor
- Single point connections for all utilities
- Field convertible from straight through to corner and vice versa (kit required)
- Field convertible from 3-phase to single-phase and vice versa (kit required)
- Durable stainless steel construction
- 1-year parts and labor warranty



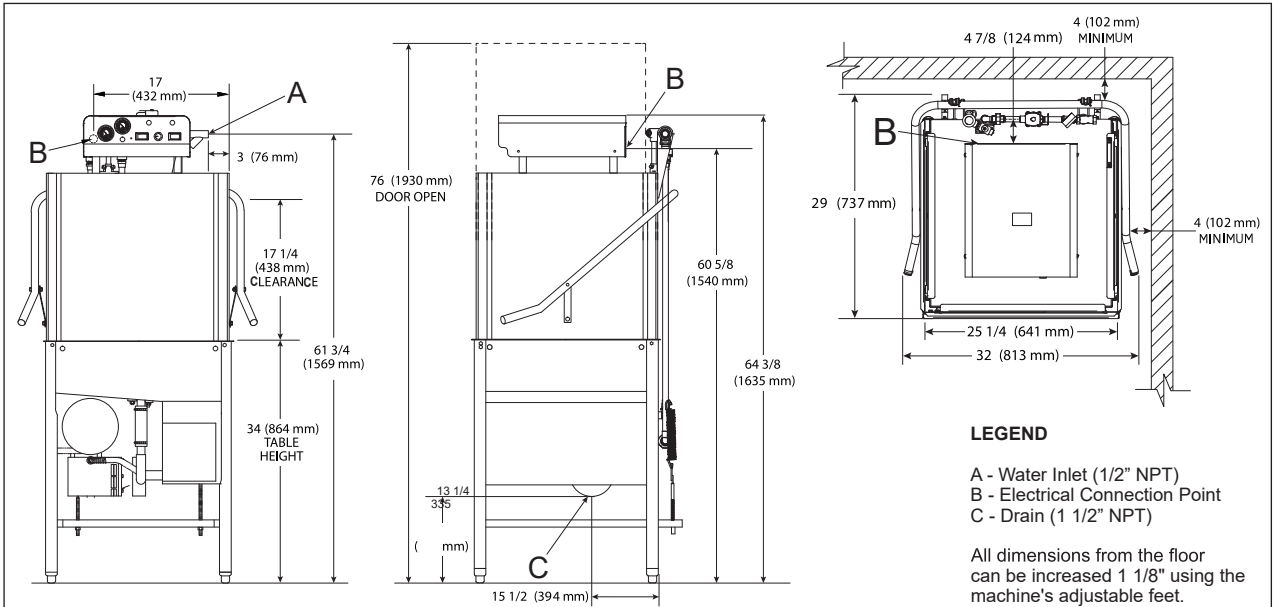
Intertek



Intertek



\*Racks per hour calculated with NSF suggested load time of five (5) seconds for door-type (straight thru)



| MODEL NO. | MACHINE DIMENSIONS |              |                      |              |                  | DRAIN HEIGHT     | SHIPPING INFORMATION |               |                 |              |               |
|-----------|--------------------|--------------|----------------------|--------------|------------------|------------------|----------------------|---------------|-----------------|--------------|---------------|
|           | HEIGHT             | WIDTH        | WIDTH BETWEEN TABLES | DEPTH        | DEPTH            |                  | WEIGHT               | CLASS         | CUBE            | HEIGHT       | WIDTH         |
| TempStar® | 64-3/8" (1635 mm)  | 32" (813 mm) | 25-1/4" (641 mm)     | 29" (737 mm) | 13-1/4" (335 mm) | 263 lbs (120 kg) | 200                  | 58.15 cu. ft. | 72.5" (1842 mm) | 33" (839 mm) | 42" (1067 mm) |

| DIMENSIONS                    |                  |
|-------------------------------|------------------|
| Wall Clearance (minimum)      | 4" (102 mm)      |
| Standard Table Height         | 34" (864 mm)     |
| Inside Clearance              | 17-1/4" (438 mm) |
| Machine Height with Door Open | 76" (1933 mm)    |

| OPERATING CAPACITY        |                 |                 |                |                      |  |  |
|---------------------------|-----------------|-----------------|----------------|----------------------|--|--|
| Cycle/Racks per Hour      | Normal 63 (58)* | Medium 29 (30)* | Heavy 20 (19)* | Extra Heavy 12 (11)* |  |  |
| OPERATING CYCLE (seconds) | Wash            | Rinse           | Dwell          | Total Cycle          |  |  |
| Normal                    | 40              | 10              | 7              | 57                   |  |  |
| Medium                    | 100             | 10              | 7              | 117                  |  |  |
| Heavy                     | 160             | 10              | 7              | 177                  |  |  |
| Extra Heavy               | 280             | 10              | 7              | 297                  |  |  |

| OPERATING TEMPERATURES |                |
|------------------------|----------------|
| Wash (minimum)         | 150 °F (66 °C) |
| Rinse (minimum)        | 180 °F (82 °C) |

| WATER                        |                      |
|------------------------------|----------------------|
| Inlet Temperature            |                      |
| 40 °F (22.2 °C) Rise         | 140 °F (60 °C)       |
| 70 °F (38.9 °C) Rise         | 110 °F (43 °C)       |
| No Booster                   | 180 °F (82 °C)       |
| Gallons per Rack             | 0.89 gal (3.37 L)    |
| Gallons per Hour             | 56.07 gal (212.25 L) |
| Gallons per Hour**           | 51.62 gal (195.40 L) |
| Waterline Size IPS (minimum) | 1/2"                 |
| Drainline Size IPS (minimum) | 1- 1/2"              |
| Flow Pressure (PSI)          | 10 ± 2               |
| Wash Tank Capacity           | 8 gal (30.28 L)      |
| Rinse Tank Capacity          | 2 gal (7.57 L)       |

HOW TO SPECIFY: TempStar®

| ELECTRICAL              |              |            |                          |                                |
|-------------------------|--------------|------------|--------------------------|--------------------------------|
|                         | Power Supply | Total Load | Minimum Circuit Ampacity | Maximum Overcurrent Protection |
| With 70 °F Rise Booster | 208/60/3     | 45.6 A     | 46.8 A                   | 50 A                           |
|                         | 230/60/3     | 49.8 A     | 51.1 A                   | 55 A                           |
|                         | 460/60/3     | 23.7 A     | 24.0 A                   | 25 A                           |
|                         | 208/60/1     | 75.2 A     | 76.5 A                   | 80 A                           |
| With 40 °F Rise Booster | 230/60/1     | 82.7 A     | 83.9 A                   | 85 A                           |
|                         | 208/60/3     | 41.4 A     | 42.6 A                   | 45 A                           |
|                         | 230/60/3     | 45.2 A     | 46.5 A                   | 50 A                           |
|                         | 460/60/3     | 21.4 A     | 21.7 A                   | 25 A                           |
| With No Booster         | 208/60/1     | 68.0 A     | 69.3 A                   | 70 A                           |
|                         | 230/60/1     | 74.7 A     | 75.9 A                   | 80 A                           |
|                         | 208/60/3     | 16.4 A     | 17.6 A                   | 20 A                           |
|                         | 230/60/3     | 17.6 A     | 18.8 A                   | 20 A                           |
|                         | 460/60/3     | 7.5 A      | 7.8 A                    | 15 A                           |
| 208/60/1                | 24.7 A       | 25.9 A     | 30 A                     |                                |
| 230/60/1                | 26.8 A       | 28.0 A     | 30 A                     |                                |

| WASH PUMP MOTOR |        |
|-----------------|--------|
| 208V/230V       | 1 hp   |
| 460V            | 3/4 hp |

| HEATERS |                           |   |   |
|---------|---------------------------|---|---|
| Voltage | Electric Wash Tank Heater | Electric Rinse Tank Heater 40 °F (22.2 °C) Rise | Electric Rinse Tank Heater 70 °F (38.9 °C) Rise |
| 208     | 4.1kW                     | 9.0kW   | 10.5kW  |
| 230     | 5.0kW                     | 11.0kW  | 12.9kW  |
| 460     | 5.0kW                     | 11.0kW  | 12.9kW  |

\*Racks per hour calculated with NSF suggested load time of five (5) seconds for door-type (straight thru)  
 \*\*Gallons per hour calculated with NSF suggested load time of five (5) seconds for door-type (straight thru)

**Jackson WWS, Inc.**  
 Shipping Address: 6209 North U.S. Highway 25E, Gray, KY 40734  
 Mailing Address: P.O.Box 1060, Barbourville, KY 40906  
 Telephone: 888-800-5672 • Fax: 606-523-1799  
 Email: info@jacksonwws.com  
 07610-002-66-59 [02/22/21]

[www.jacksonwws.com](http://www.jacksonwws.com)