



**ATLAS METAL**

1135 N.W. 159th DRIVE, MIAMI, FLORIDA 33169

TEL 305.625.2451

TOLL FREE 800.762.7565

FAX 305.623.0475

WWW.ATLASFOODSERV.COM

SALES@ATLASFOODSERV.COM

Project: \_\_\_\_\_

Item No.: \_\_\_\_\_

Quantity: \_\_\_\_\_

**DROP-IN SERVING EQUIPMENT**



WIH-3

**HOT PAN**  
**Electrically Heated**  
**Individual Controls**

- WIH-1**
- WIH-2**
- WIH-3**
- WIH-4**
- WIH-5**
- WIH-6**

**SPECIFICATIONS**

**TOP:** Constructed of 18 gauge, type 304 stainless steel, die stamped with a raised perimeter bead. There shall be a solid vinyl gasket under the beaded edge to form a seal to the counter top, thus preventing seepage or marring of the counter top.

**HOT FOOD WELLS:** Individual hot food wells shall be 18 gauge, type 304 stainless steel, one piece construction, all welded, ground and polished to a uniform finish. All corners are covered with a minimum 1/4" radius. Each well is provided with an 850 watt heating element (1000 watt on the WIH-1).

**INSULATION:** The pan is fully insulated with high density fiberglass, 1" thick on all sides, 2" thick on the bottom and enclosed with a 22 gauge galvanized steel outer case.

**ELECTRICAL:** The unit is provided with an individual thermostat control with a pilot light for each well. All heating elements and controls are pre-wired, and a 6' long, 3-wire cord and plug is provided, extending from the control box located under the unit, on operator's left. Bottom of outer case can be removed for access to electrical components.

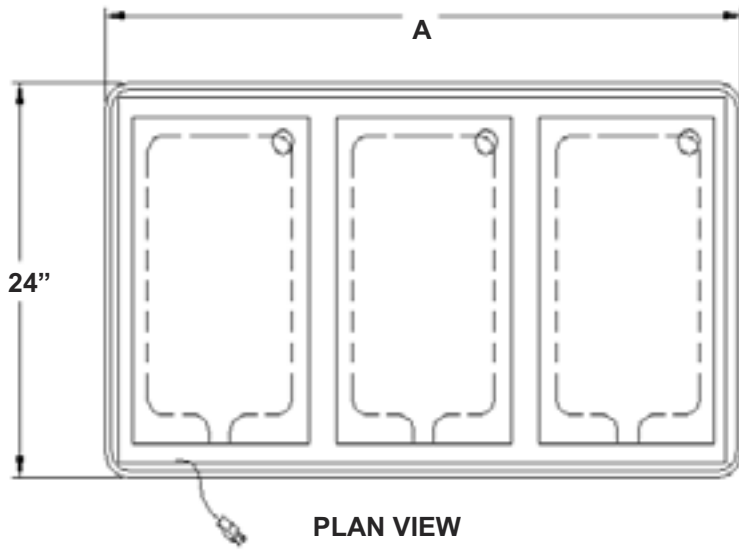
*Specifications subject to change without notice.*

**STANDARD FEATURES**

- Fully insulated to retain heat - protects fixtures and saves energy
- Individual thermostat controls - the operator can control the temperature of each well separately
- Factory applied gasket - makes installation a snap and seals units to the counter, thus eliminating seepage
- Accommodates standard 12"x20" pans, or fractional size pans with the use of optional adapter bars
- Wet or Dry Operation
- 1-Year Parts & Labor Warranty
- UL Listed, ETL Listed

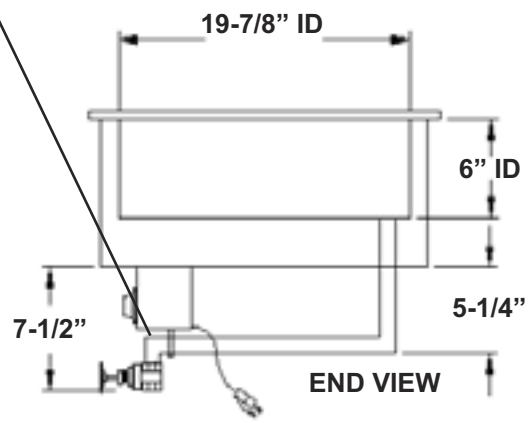
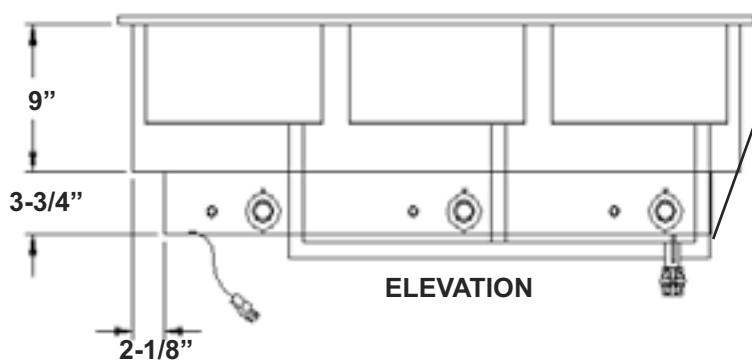
**ACCESSORIES**

- Stainless steel adapter bars (pg DI-51-52)
- Stainless steel adapter plates (pg DI-51-52)
- **CP** - Cover Plate with handles, S/S
- **D** - Individual Drain and Valve for each well (3/4" dia. drain)
- **DM** - Individual Drain for each well with manifold to single valve
- **DMV** - Individual Drain with valve for each well with manifold to single valve
- **DME** - Individual drain for each well with manifold to single valve w/ rear extension
- **RDVE** - Rear Extension for **D**, **DM**, & **DMV** (1) required
- **RT** - Remote Thermostats for counter installation, 36" long
- **RTL** - Remote Thermostats for counter installation, 72" long
- **MS** - Master on/off switch
- **AF** - Automatic water fill (NOTE: **DM** required for water fill)



CONFORMS TO  
NSF STD 4  
NSF STD 2

SHOWN WITH OPTIONAL DME -  
DRAIN AND MANIFOLD WITH  
REAR EXTENSION



**Electrical Characteristics**

MODEL	WATTAGE	VOLTAGE/KW/AMPS	NEMA # PLUG
WIH-1	1000WATT	120V - 1.0KW - 8.3	5-15P
		208V - 1.0KW - 4.8	6-15P
		240V - 1.0KW - 4.2	6-15P
WIH-2	850WATT	120V - 1.7KW - 14.2	5-20P
		208V - 1.7KW - 8.2	6-15P
		240V - 1.7KW - 7.1	6-15P
	1000WATT	120V - 2.0KW - 16.7	L5-30P
		208V - 2.0KW - 9.6	6-15P
		240V - 2.0KW - 8.3	6-15P
WIH-3	850WATT	120V - 2.55KW - 21.3	L5-30P
		208V - 2.55KW - 12.3	L6-20P
		240V - 2.55KW - 10.6	6-15P
	1000WATT	120V - 3.0KW - 25.0	5-50P
		208V - 3.0KW - 14.4	L6-20P
		240V - 3.0KW - 12.5	L6-20P
WIH-4	850WATT	208V - 3.4KW - 16.4	L6-30P
		240V - 3.4KW - 14.2	L6-20P
	1000WATT	208V - 4.0KW - 19.2	L6-30P
		240V - 4.0KW - 16.7	L6-30P
WIH-5	850WATT	208V - 4.25KW - 20.4	L6-30P
		240V - 4.25KW - 17.7	L6-30P
	1000WATT	208V - 5.0KW - 24.0	L6-30P
		240V - 5.0KW - 20.8	L6-30P
WIH-6	850WATT	208V - 5.1KW - 24.5	6-50P
		240V - 5.1KW - 21.3	L6-30P
	1000WATT	208V - 6.0KW - 28.8	6-50P
		240V - 6.0KW - 25.0	6-50P

MODEL	"A"	COUNTER CUT-OUT (REQUIRED) W X L	CONTROL PANEL CUT-OUT (IF REQUIRED)	SHIP WT. (LBS.)
WIH-1	16" (40.6cm)	22-1/4" X 14-1/4" (56.5 X 36.8cm)	4-1/2" X 6-1/4" (11.4 X 15.8cm)	41 (18.5kg)
WIH-2	29-3/4" (75.5cm)	22-1/4" X 28" (56.5 X 71.1cm)	4-1/2" X 12-1/4" (11.4 X 31.1cm)	112 (50.8kg)
WIH-3	43-1/2" (110.4cm)	22-1/4" X 41-3/4" (56.5 X 111.1cm)	4-1/2" X 26" (11.4 X 66cm)	152 (68.9kg)
WIH-4	57-1/4" (145.4cm)	22-1/4" X 55-1/2" (56.5 X 140.9cm)	4-1/2" X 39-3/4" (11.4 X 100.9cm)	188 (85.3kg)
WIH-5	71" (180.3cm)	22-1/4" X 69-1/4" (56.5 X 175.8cm)	4-1/2" X 53-1/2" (11.4 X 135.8cm)	225 (102kg)
WIH-6	84-3/4" (213.3cm)	22-1/4" X 83" (56.5 X 210.8cm)	4-1/2" X 67-1/4" (11.4 X 170.8cm)	268 (121.5kg)

Note: Numeral following the model letters denotes the 12X20 pan capacity