

BLAST CHILLERS

Eurodib blast chillers by Gemm are ideal for chefs, pastry and ice cream makers who depend on reliability and simplicity. They are fitted with an intuitive and user-friendly electronic control panel, which allows chilling cycles to be set extremely rapidly.

Chilling or Freezing cycles can be set via time or core-probe inserted into the core of the product.

- Incorporated condensing unit
- Option of soft/hard chilling or freezing
- Automatic defrost system with pause



* Available in US only *

| | BCB 05US 115V* | BCB 05US 230V | BCB 10US | BCB 15US |
|----------------------------------|--|------------------------------------|--|--|
| Power* | 115V, 1540W, 12.8A, 2.1HP, 5-20P | 208-230V, 1865W, 10.5A, 1HP, 6-20P | 208-230V, 3105W, 13.5A, 1.5HP, 6-20P | 208-240V, 3PH, 3815W, 12.5A, 5.1HP, Hardwire |
| Refrigerated power** | 3242 BTU/hr, 950W | 4128 BTU/hr, 1210W | 6005 BTU/hr, 1760W | 8260 BTU/hr, 2430W |
| Refrigerant gas | R404A | R449A | R449A | R449A |
| Net weight | 243 lbs | 293 lbs | 370 lbs | 494 lbs |
| Ship dim. (L x W x H) | 37" x 37" x 44" | 37" x 37" x 44" | 37" x 37" x 68.5" | 36.25" x 36.25" x 82.75" |
| Ship weight | 278 lbs | 333 lbs | 406 lbs | 538 lbs |
| Exterior dim. (L x W x H) | 30.75" x 34" x 37.75" | | 34" x 34" x 61.5" | 34" x 34" x 75" |
| Chamber dimensions | 15" x 19.5" x 28.75" | | 20.3" x 29.75" x 32.75" | 19.5" x 28.75" x 45.5" |
| Tray capacity (L x W)* | 5 x (18" x 26") | | 10 x (18" x 26") | 15 x (18" x 26") |
| Total volume capacity | 5 CuFt (142 L) | | 11 CuFt (311 L) | 15 CuFt (425 L) |
| Chilling capacity | 90°C to 3°C = 26 kg (197°F to 37°F = 57 lbs) | | 90°C to 3°C = 34 kg (197°F to 37°F = 75 lbs) | 90°C to 3°C = 50 kg (197°F to 37°F = 110 lbs) |
| Freezing capacity | 90°C to -16°C = 22 kg (197°F to 0°F = 35 lbs) | | 90°C to -18°C = 22 kg (197°F to 0°F = 48.5 lbs) | 90°C to -18°C = 38 kg (197°F to 0°F = 83 lbs) |

* Shelves/trays not included

Climatic class 5

*Ambient Temperature 89.6°F (32°C); Evap. 14°F (-10°C); Cond. 113°F (45°C); 50% Relative Humidity.

**Ambient Temperature 104°F (40°C); Evap. -9.94°F (-23.3°C); Cond. 129.9°F (54.4°C); 40% Relative Humidity.

The chilling cycle allows a reduction of the internal temperature from 70°C (158°F) to 3°C (37.4°F) in 90 minutes (max).

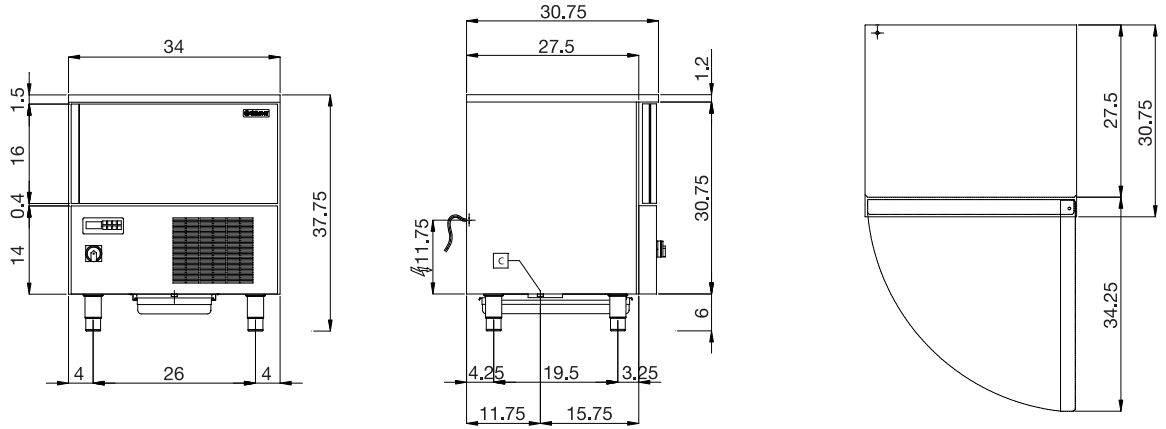
The freezing cycle allows a reduction of the internal temperature from 70°C (158°F) to -18°C (-0.4°F) in 240 minutes (max).



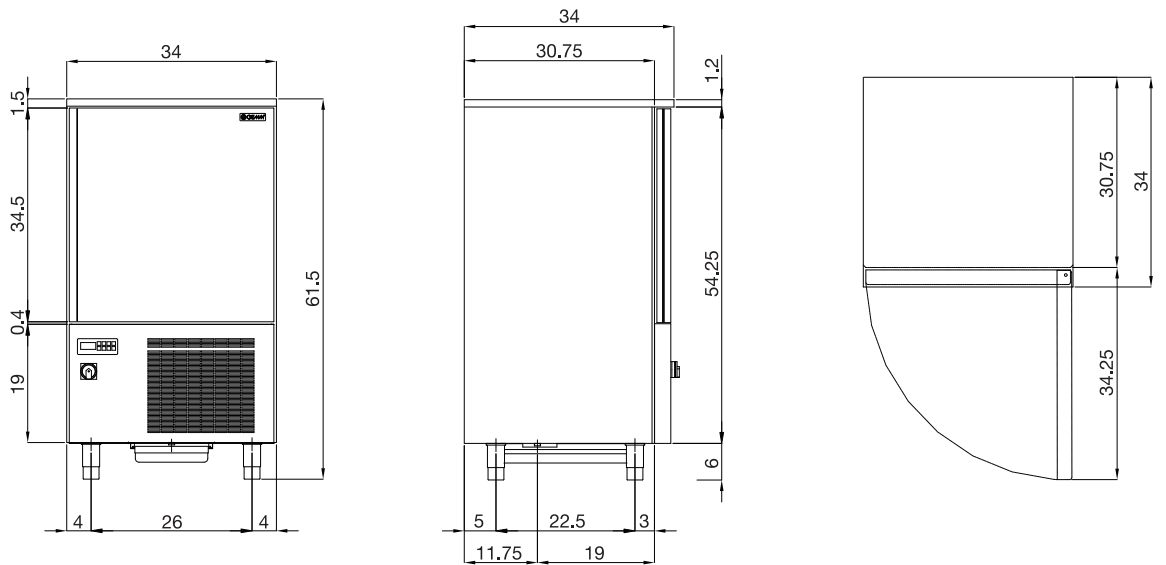
Warranty
(1) year parts and labor

BLAST CHILLERS

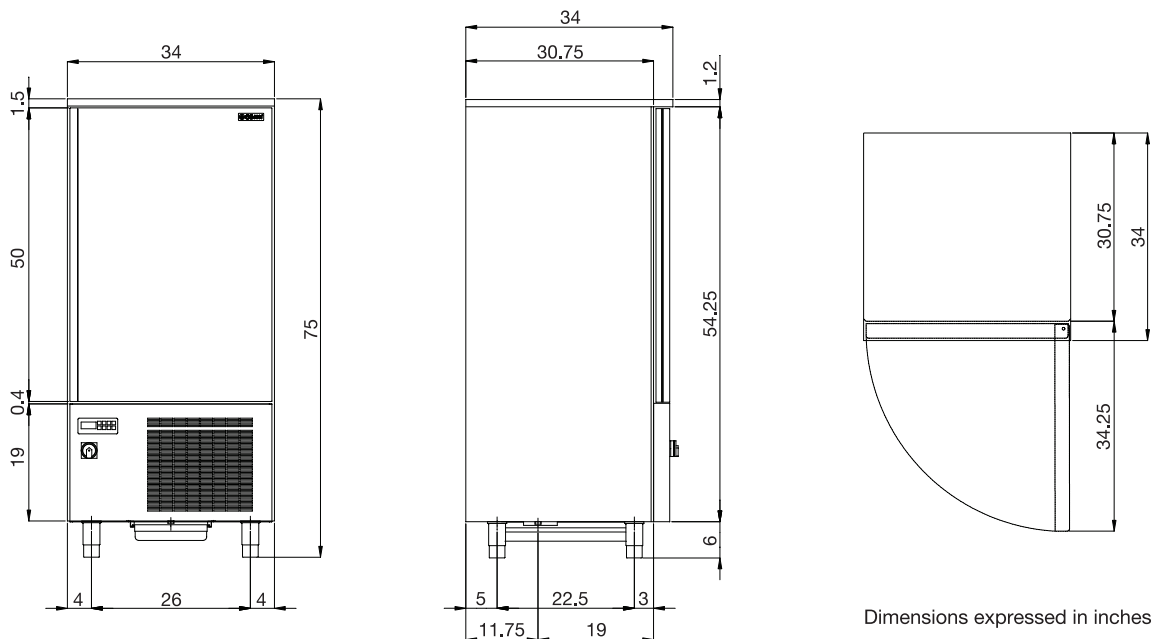
BCB 05US



BCB 10US



BCB 15US



Dimensions expressed in inches