

IMG-36

36" Manual Griddle

The Inferno manual griddle features a sleek and streamlined design, with individually controlled 30,000 BTU burners spaced every 12" to cover a large cooking area. This provides flexibility in using the burners as needed. Additionally, these units come with an easy to clean stainless steel grease trough and grease can. All griddles come standard in natural gas and are field convertible to liquid propane with the included conversion kit.

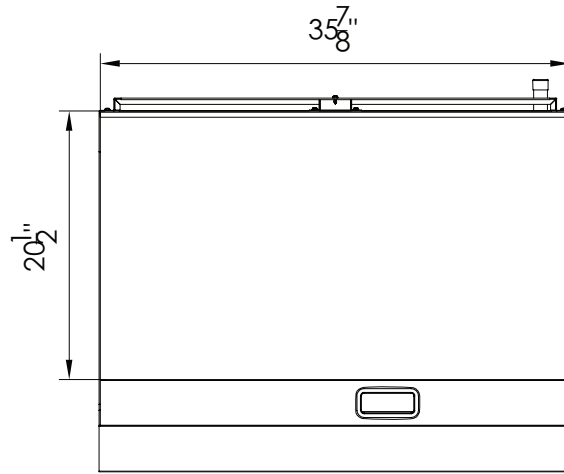


Features

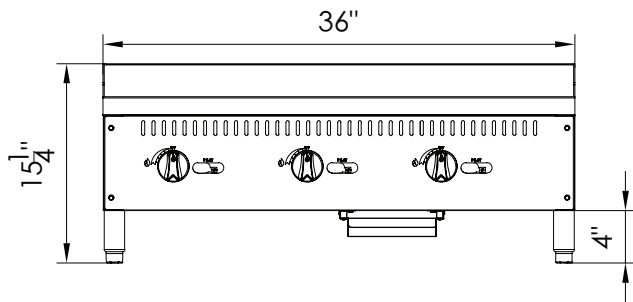
- 3 individually controlled 30,000 BTU/hr burners
- Burners located every 12"
- 3/4" thick polished steel griddle plate
- Double wall insulated cool-to-the-touch sides
- Natural gas standard
- Liquid propane conversion kit included
- 1 year parts and labour warranty

IMG-36

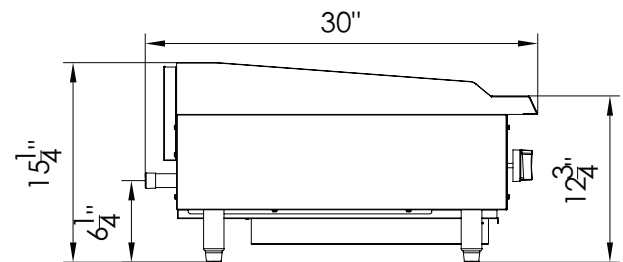
36" Manual Griddle



TOP



FRONT



LEFT

| Model | External Dimensions (inches) | | | Crated Dimensions (inches) | | | Net Weight | Gross Weight | Gas Source | Burner Count | Single Burner | Total Output (BTU) | Orifice Size | Gas Pressure |
|--------|------------------------------|----|--------|----------------------------|--------|--------|------------|--------------|------------|--------------|---------------|--------------------|--------------|--------------|
| | W | D | H | W | D | H | | | | | | | | |
| IMG-36 | 36 | 30 | 15 1/4 | 38 1/4 | 32 5/8 | 18 7/8 | 244.71 | 275.5 | LPG | 3 | 30000 | 90000 | 51 | 10 in. WC |
| | | | | | | | | | NAT | 3 | 30000 | 90000 | 37 | 4 in. WC |

Specifications are subject to change without notice.